

Digital Inverter R32

Light Commercial System

Outdoor Units

RAV-GM302ATP-E

RAV-GM402ATP-E

RAV-GM562ATP-E / TR

Indoor Units

4-way cassette type

RAV-HM561UTP-E / TR

Compact 4-way cassette type

RAV-HM301MUT-E

RAV-HM401MUT-E

RAV-HM561MUT-E / TR

Standard ducted type

RAV-HM561BTP-E / TR

Under Ceiling type

RAV-HM401CTP-E

RAV-HM561CTP-E / TR

High wall type

RAV-HM301KRTP-E

RAV-HM401KRTP-E

RAV-HM561KRTP-E / TR

Floor standing type

RAV-HM561FT-E / TR

1-way cassette type

RAV-HM301U1TP-E / TR

RAV-HM401U1TP-E / TR

Compact slim duct type

RAV-HM301SDTY-E

RAV-HM401SDTY-E


RAV-HM561SDTY-E / TR

Contents








1. Line up	2
1-1. Single Line-up	2
2. Indoor Unit	3
2-1. 4-way cassette Type	3
2-2. Compact 4-way casstte Type	19
2-3. Standard Ducted Type	32
2-4. Under ceiling Type	44
2-5. High wall Type	53
2-6. Floor standing Type	69
2-7. 1-way cassette Type	77
2-8. Compact slim duct Type	90
3. Outdoor Unit	108
4. Optional Accessories	124


1. Line up

Outdoor unit

Model name	RAV-GM302ATP-E	RAV-GM402ATP-E	RAV-GM562ATP-E / TR
Appearance	 <p>1.0, 1.5, and 2.0 HP</p>		

Indoor unit

Capacity Type		(kW equivalent)	30	40	56
(HP equivalent)			(1.0)	(1.5)	(2.0)
4-way cassette type		RAV-HM**1UTP-E	-	-	56
		RAV-HM**1UTP-TR	-	-	56
Compact 4-way cassette type		RAV-HM**1MUT-E	30	40	56
		RAV-HM**1MUT-TR	-	-	56
Standard ducted type		RAV-HM**1BTP-E	-	-	56
		RAV-HM**1BTP-TR	-	-	56
High wall type		RAV-HM**1KRTP-E	30	40	56
		RAV-HM**1KRTP-TR	-	-	56
Under ceiling type		RAV-HM**1CTP-E	-	40	56
		RAV-HM**1CTP-TR	-	-	56
Floor standing type		RAV-HM**1FT-E	-	-	56
		RAV-HM**1FT-TR	-	-	56
1-way cassette type		RAV-HM**U1TP-E	30	40	-
		RAV-HM**U1TP-TR	30	40	-

Capacity Type		(kW equivalent)	30	40	56
(HP equivalent)			(1.0)	(1.5)	(2.0)
Compact slim duct type		RAV-HM**1SDTY-E	30	40	56
		RAV-HM**1SDTY-TR	-	-	56

2. Indoor Units

2-1. 4-way Cassette Type

2-1-1. Specifications

2-1-2. Dimension

2-1-3. Wiring Diagrams

2-1-4. Sensible Capacity Table

2-1-5. Part Load Performance

2-1-6. Air Throw Distance Chart

2-1-7. Sound Characteristic (NC Curve)

Accessories

2-1-1. Specifications

4-way Cassette Type

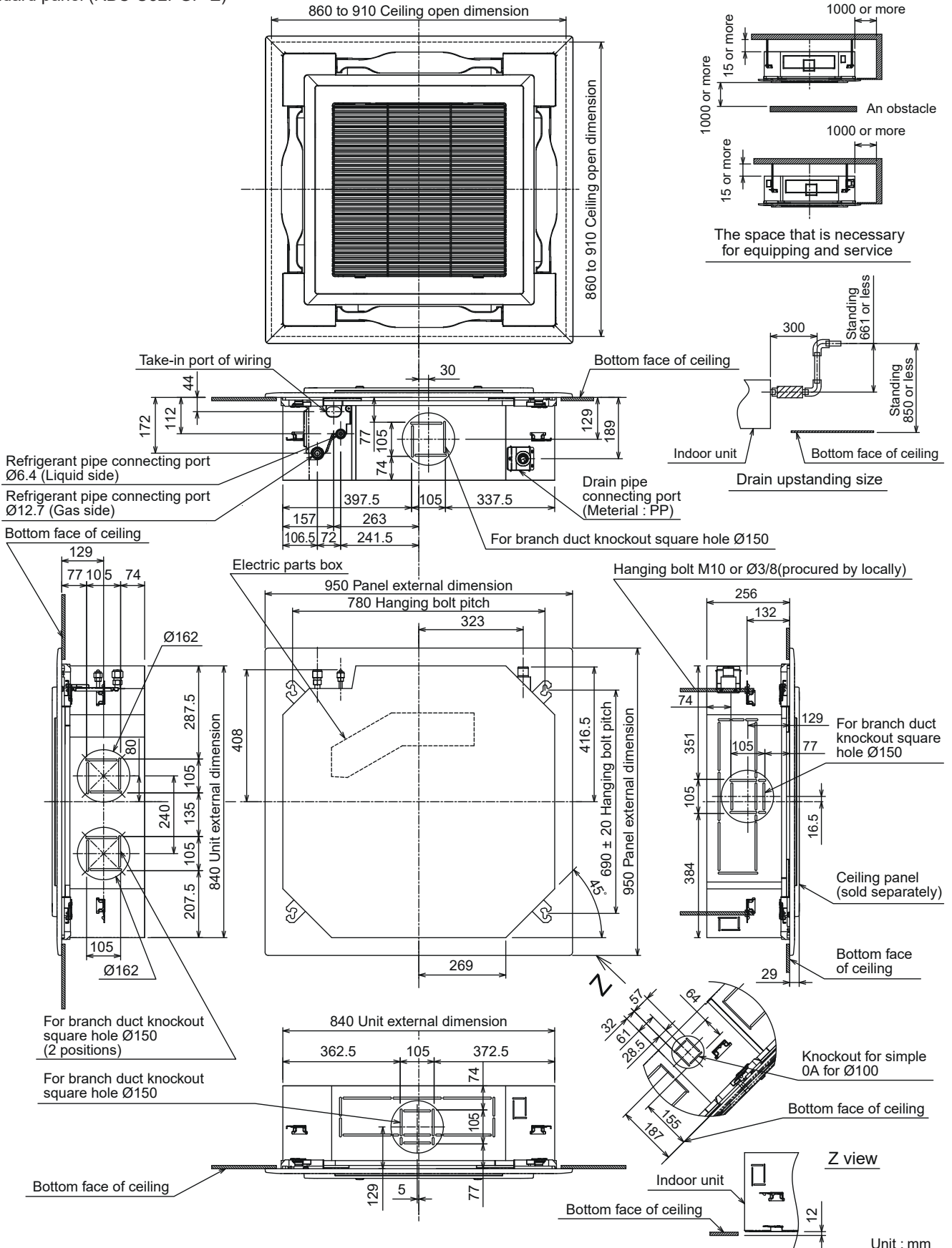
Model	Indoor unit		RAV-HM561UTP-E / TR
	Outdoor unit		RAV-GM562ATP-E / TR
Cooling Capacity (kW)			5.0
Heating Capacity (kW)			5.3
Power Supply			1 phase 230V (220-240V) 50Hz
Electrical Characteristics	Cooling	Running current (A)	7.31 - 6.70
		Power consumption (kW)	1.560
		Power factor (%)	97
		EER	3.21
		SEER	6.84
		Energy star rating	A++
	Heating	Running current (A)	6.37 - 5.84
		Power consumption (kW)	1.360
		Power factor (%)	97
		COP	3.90
		SCOP	4.60
Energy star rating		A++	
Maximum current (A)		15.5	
Appearance	Main unit		Zinc hot dipping steel plate
	Ceiling panel (Sold separately)		RBC-U33P-E, RBC-U32PGP-E, RBC-U41PG-E
Outer dimension	Main unit	Height (mm)	256
		Width (mm)	840
		Depth (mm)	840
	Ceiling panel (Sold separately)	Height (mm)	30
		Width (mm)	950
		Depth (mm)	950
Total weight	Main unit (kg)	20	
Heat exchanger			Finned tube
Fan unit	Fan		Turbo fan
	Standard air flow	H/M/L (mm ³ /min)	17.5/14.5/13.0
	Motor (W)		60
Air filter			Standard filter attached
Controller (packed with indoor unit)			-
Controller (sold separately)			RBC-ASCU11-E, RBC-AMT32E, RBC-AS21E2, RBC-AMS41E, RBC-AMS51E
Sound pressure level		H/M/L (dB·A)	32/29/28
Sound power level		H/M/L (dB·A)	47/44/43
Connecting pipe	Gas side (mm)		12.7
	Liquid side (mm)		6.4
	Drain port (mm)		VP25

Note : Rated conditions Cooling : Indoor air temperature 27 °C DB / 19 °C WB, Outdoor air temperature 35 °C DB
 Heating : Indoor air temperature 20 °C DB, Outdoor air temperature 7 °C DB / 6 °C WB

2-1-2. Dimension

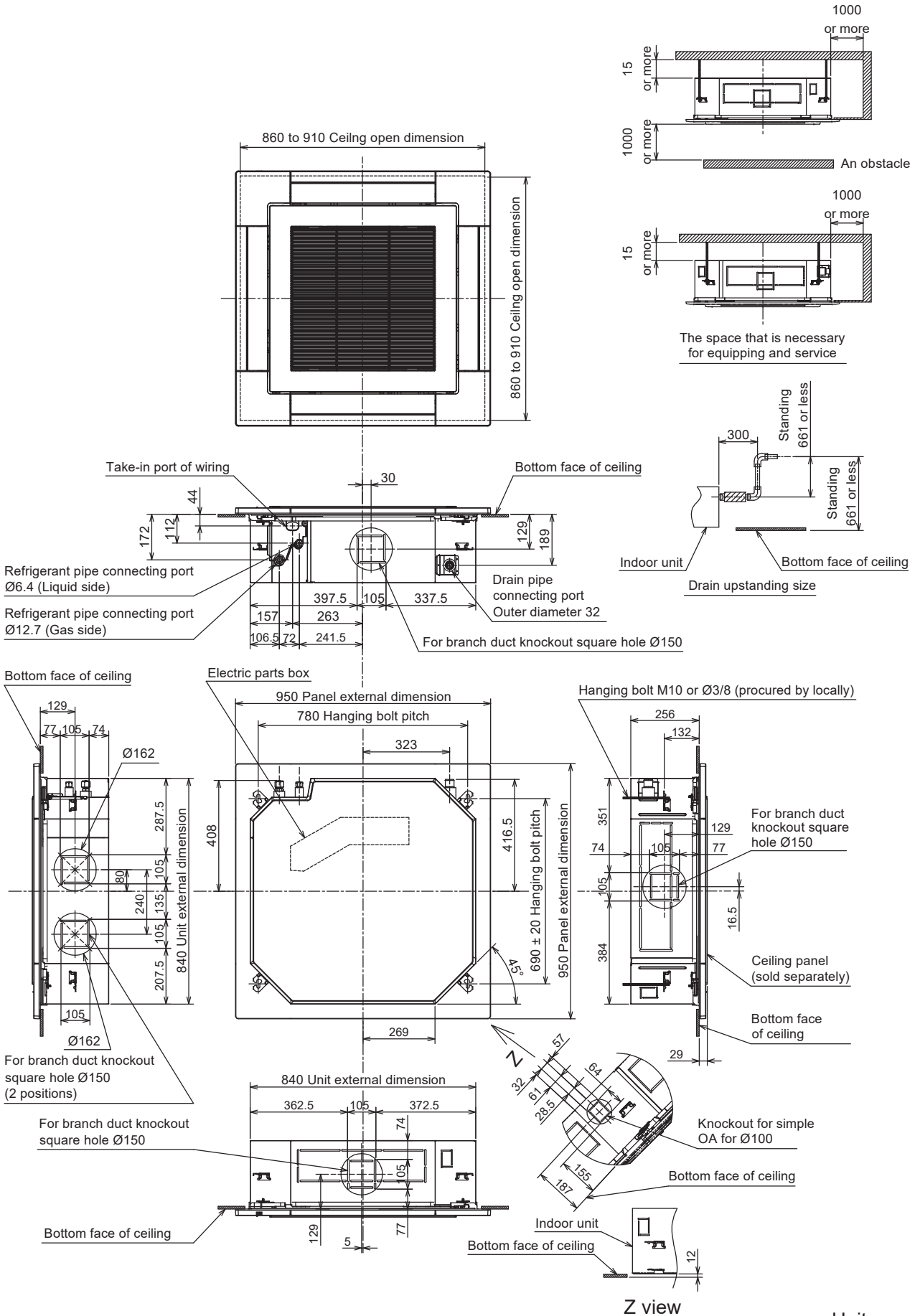
RAV-HM561UTP-E / TR

Standard panel (RBC-U32PGP-E)



RAV-HM561UTP-E / TR

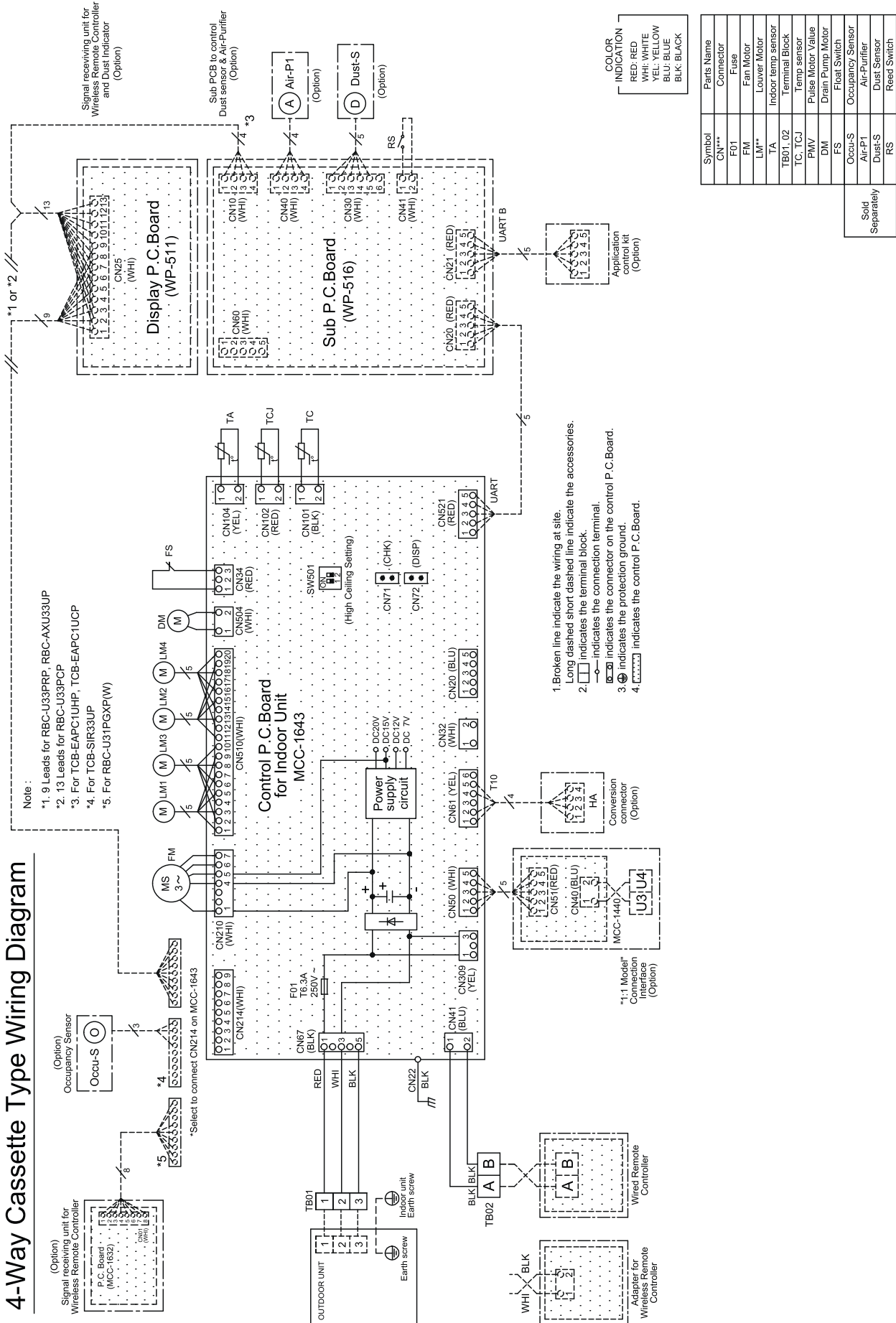
Smart design panel (RBC-U33P-E)



Unit : mm

2-1-3. Wiring Diagrams

RAV-HM561UTP-E / TR



2-1-4. Sensible Capacity Table

Product models : RAV-HM561UTP-E / TR ; RAV-GM562ATP-E / TR

Standard Condition

Indoor	27.0 °C DB / 19.0 °C WB
Outdoor	35.0 °C DB / 24.0 °C WB

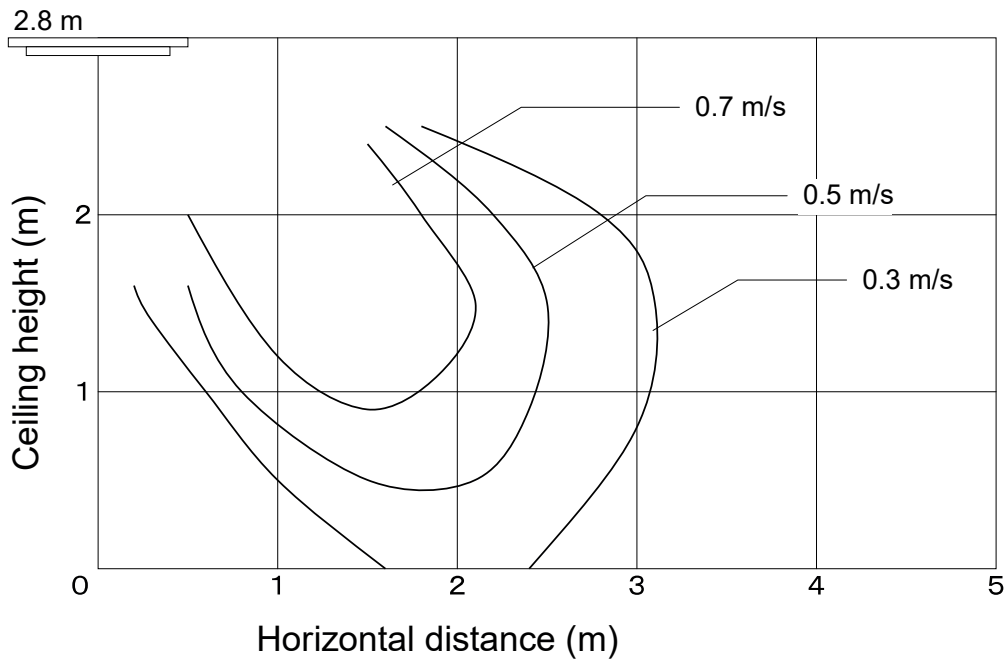
Specification of product at standard condition.

Total Cooling Capacity (TC)	5.00	kW
Sensible Heat Capacity (SHC)	3.80	kW

Outdoor air temp. °C DB	Indoor Air temperature																	
	14.0 °C WB		15.0 °C WB		16.0 °C WB		17.0 °C WB		18.0 °C WB		19.0 °C WB		20.0 °C WB		22.0 °C WB		24.0 °C WB	
	20.0 °C DB		21.0 °C DB		23.0 °C DB		24.0 °C DB		26.0 °C DB		27.0 °C DB		28.0 °C DB		30.0 °C DB		32.0 °C DB	
	TC	SHC	TC	SHC	TC	SHC	TC	SHC	TC	SHC	TC	SHC	TC	SHC	TC	SHC	TC	SHC
10.0	5.42	4.45	5.61	4.55	5.99	4.74	6.13	4.84	6.42	5.04	6.60	5.02	6.79	5.01	7.19	4.94	7.52	4.83
12.0	5.32	4.37	5.50	4.46	5.87	4.65	6.01	4.74	6.29	4.94	6.48	4.92	6.66	4.91	7.05	4.85	7.38	4.74
14.0	5.21	4.28	5.40	4.37	5.76	4.55	5.89	4.65	6.17	4.84	6.35	4.82	6.53	4.81	6.91	4.75	7.23	4.64
16.0	5.11	4.19	5.29	4.29	5.64	4.46	5.78	4.56	6.04	4.74	6.22	4.73	6.40	4.72	6.77	4.66	7.09	4.55
18.0	5.00	4.11	5.18	4.20	5.52	4.37	5.66	4.46	5.92	4.64	6.09	4.63	6.27	4.62	6.63	4.56	6.94	4.45
20.0	4.90	4.02	5.07	4.11	5.41	4.28	5.54	4.37	5.79	4.55	5.96	4.53	6.13	4.52	6.49	4.46	6.79	4.36
21.0	4.84	3.98	5.01	4.07	5.35	4.23	5.48	4.32	5.73	4.50	5.90	4.48	6.07	4.47	6.43	4.42	6.72	4.31
23.0	4.74	3.89	4.90	3.98	5.23	4.14	5.36	4.23	5.60	4.40	5.77	4.39	5.94	4.38	6.29	4.32	6.57	4.22
25.0	4.63	3.80	4.80	3.89	5.12	4.05	5.24	4.13	5.48	4.30	5.64	4.29	5.80	4.28	6.15	4.22	6.43	4.13
27.0	4.53	3.72	4.69	3.80	5.00	3.96	5.12	4.04	5.36	4.20	5.51	4.19	5.67	4.18	6.01	4.13	6.28	4.03
29.0	4.42	3.63	4.58	3.71	4.88	3.86	5.00	3.95	5.23	4.11	5.39	4.09	5.54	4.08	5.87	4.03	6.14	3.94
31.0	4.32	3.54	4.47	3.62	4.77	3.77	4.88	3.85	5.11	4.01	5.26	4.00	5.41	3.99	5.73	3.93	5.99	3.84
33.0	4.21	3.46	4.36	3.53	4.65	3.68	4.76	3.76	4.98	3.91	5.13	3.90	5.28	3.89	5.59	3.84	5.84	3.75
35.0	4.11	3.37	4.25	3.45	4.54	3.59	4.64	3.66	4.86	3.81	5.00	3.80	5.14	3.79	5.45	3.74	5.70	3.66
37.0	4.00	3.28	4.14	3.36	4.42	3.50	4.52	3.57	4.73	3.71	4.87	3.70	5.01	3.69	5.31	3.65	5.55	3.56
39.0	3.90	3.20	4.03	3.27	4.30	3.40	4.40	3.48	4.61	3.62	4.74	3.60	4.88	3.60	5.17	3.55	5.40	3.47
40.0	3.45	2.83	3.57	2.89	3.81	3.01	3.90	3.07	4.08	3.20	4.20	3.19	4.32	3.18	4.57	3.14	4.78	3.07
42.0	3.27	2.68	3.38	2.74	3.61	2.85	3.69	2.91	3.86	3.03	3.98	3.02	4.09	3.02	4.33	2.98	4.53	2.91
43.0	3.18	2.61	3.29	2.67	3.51	2.78	3.59	2.83	3.76	2.95	3.87	2.94	3.98	2.93	4.21	2.90	4.41	2.83
45.0	2.47	2.03	2.56	2.07	2.73	2.16	2.80	2.21	2.92	2.30	3.01	2.29	3.10	2.28	3.28	2.25	3.43	2.20
46.0	2.38	1.96	2.47	2.00	2.63	2.08	2.69	2.13	2.82	2.21	2.90	2.21	2.98	2.20	3.16	2.17	3.31	2.12

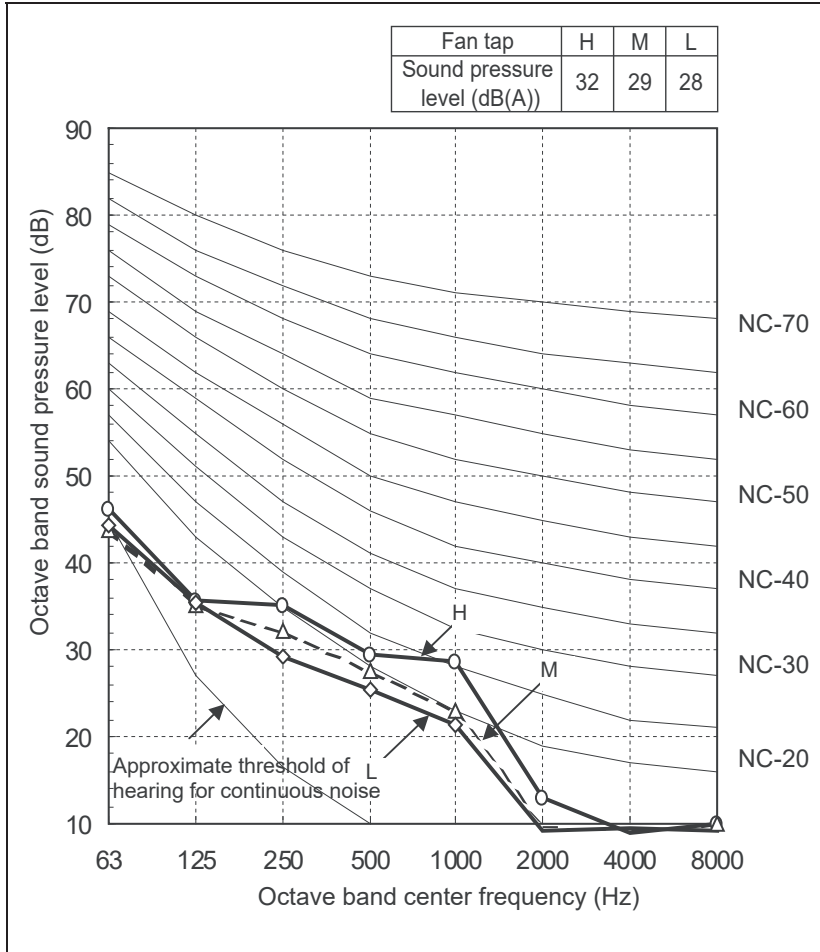
2-1-6. Air Throw Distance Chart

RAV-HM561UTP-E / TR



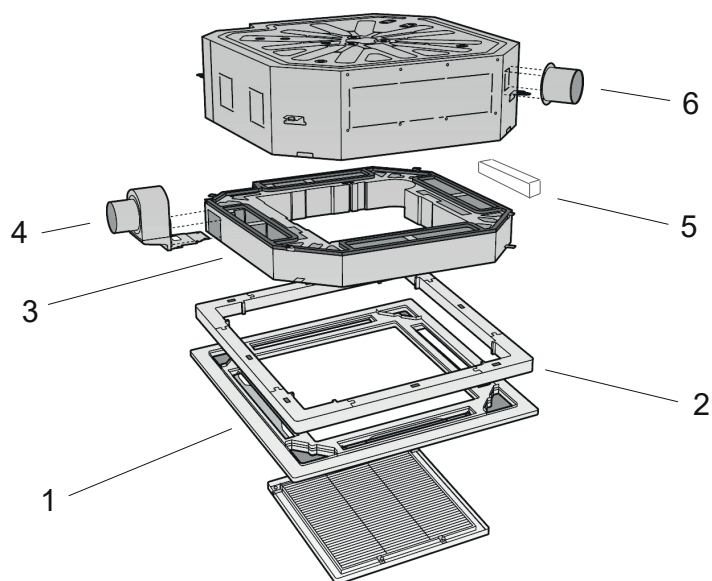
2-1-7. Sound characteristics (NC curve)

RAV-HM561UTP-E / TR



2-1-8. Accessories

Optional parts for 4-Way Cassette type



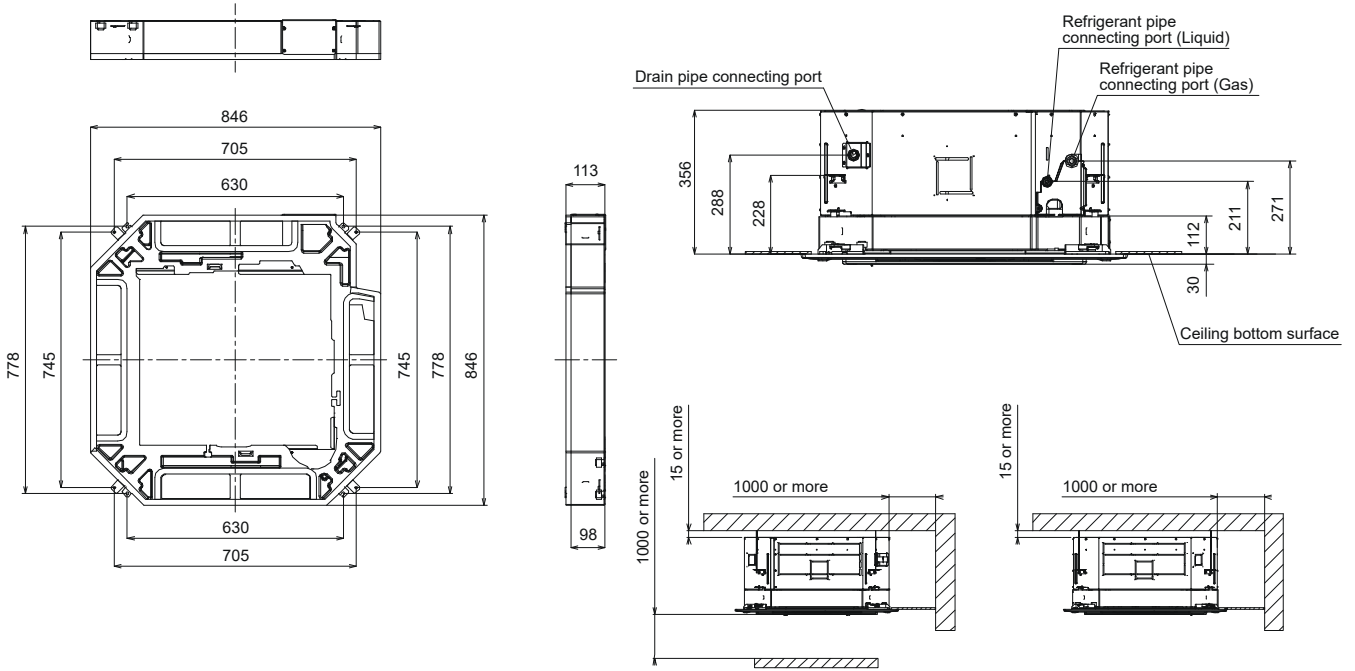
Optional parts list

No	Type	Model name	Qty/unit	Notes
1	Ceiling Panel	RBC-U32PGP-E	1	White (2.5GY9.0/0.5)
2	Spacer for height adjustment	TCB-SP1602UE	1	50 mm
3	Fresh-air chamber	TCB-GFC1602UE	1	Use with TCB-GB1602UE
4	Fresh-air inlet box	TCB-GB1602UE	1	Connection=Dia.100 mm Fresh-air intake ratio : up to 110 m ³ /h and 5% of rated air volume.
5	Air-discharge direction kit	TCB-BC1602UE	1	6-direction patterns
6	Auxiliary fresh air flange	TCB-FF101URE2	1	Connection=Dia.100 mm Fresh air intake ratio : Up to 30 m ³ /h and 2% of rated air volume.

Appendix

1. Fresh-air chamber (TCB-GFC1602UE)

Unit : mm



Space required for installation

2. Fresh-air inlet box (TCB-GB1602UE)

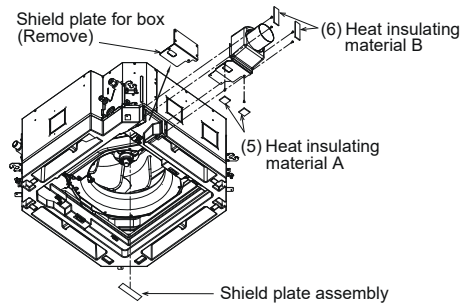
Accessories

(The following parts are included.)

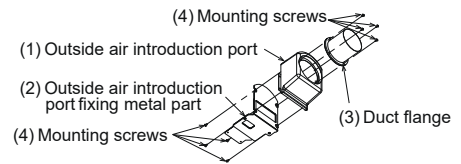
No.	Name	Qty	Remark
(1)	Outside air introduction port	1	
(2)	Outside air introduction port fixing metal part	1	
(3)	Duct flange 100 mm	1	
(4)	Mounting screws 4 × 10 mm	16	
(5)	Heat insulating material A	2	
(6)	Heat insulating material B	2	
(7)	Wind shield	1	
(8)	Installation manual	1	
(9)	Wire	1	

Installation

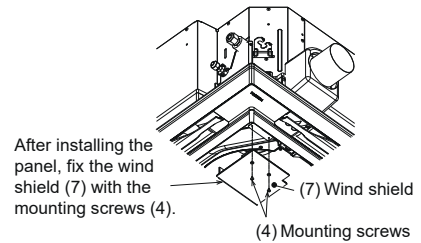
(Fig. 1)



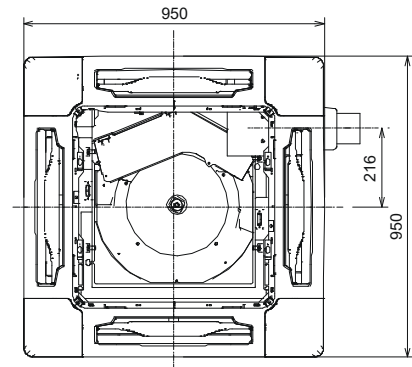
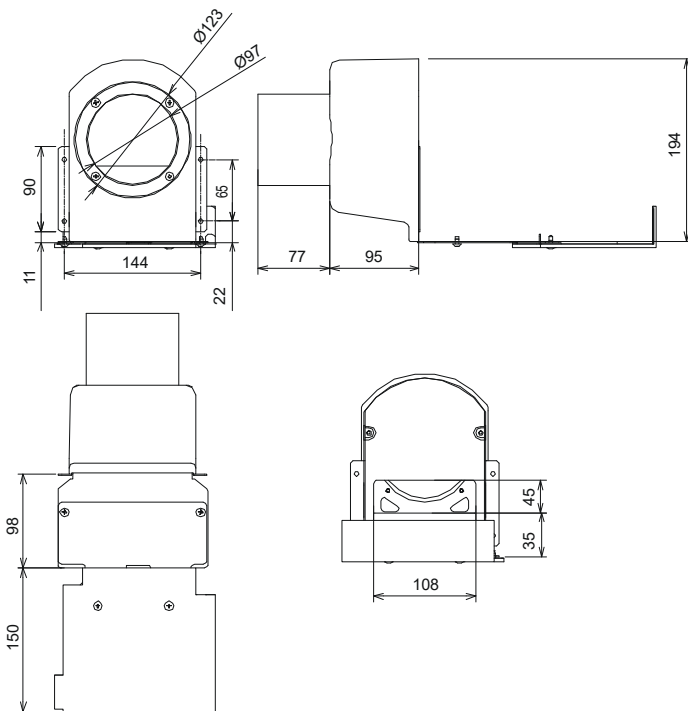
(Fig. 2)



(Fig. 3)



Dimension



Unit: mm

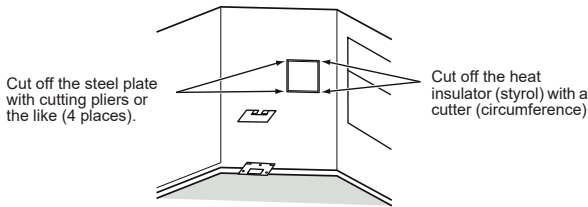
NOTE

This inlet box shall be used with the fresh-air chamber.

3. Auxiliary fresh air flange (TCB-FF101URE2)

Installation

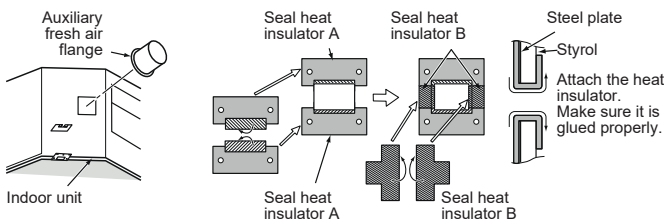
- Using the knockout of the indoor unit main body, as a marker, cut off the flange with the heat insulator (styrol) with cutting pliers or cutter.



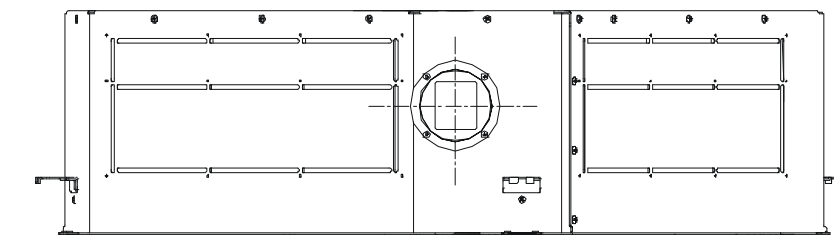
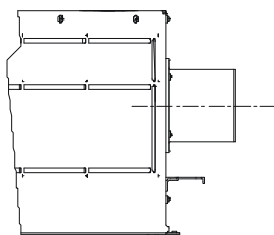
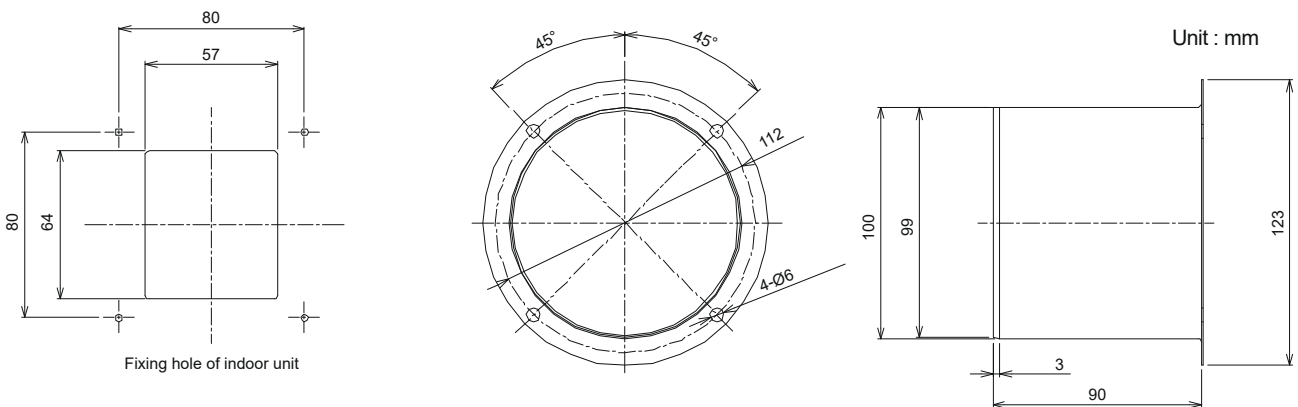
NOTE

When cutting off the styrol inside, be careful not to insert the cutter blade deeper than 30 mm. (Damage to the drain pan inside can cause water leakage.) Wear safety globes to carry out these works. Do not attempt with bare hands.

- A gap between the styrol and steel plate may cause a trouble such as condensation. Be sure to attach the attached heat insulator A first with it aligned to the screw hole, and then attach B, according to the right figure.
- Install the auxiliary fresh air flange to the indoor unit main body with attached 4 fixing screws.



Dimension

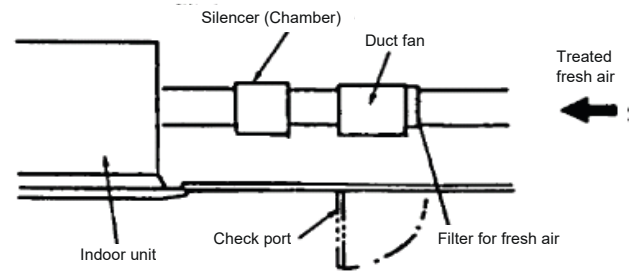


Installation status of indoor unit

Duct fan

In order to take fresh air, provide the duct fan separately.

- Install the filter for fresh air
- Provide the check port beneath the duct fan for maintenance.
- Provide the silencer to prevent the effect of noise.



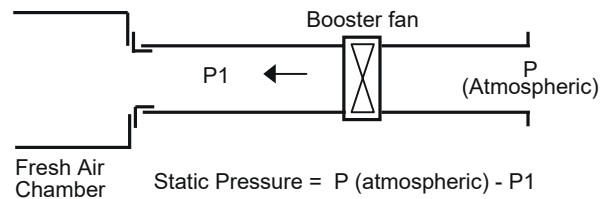
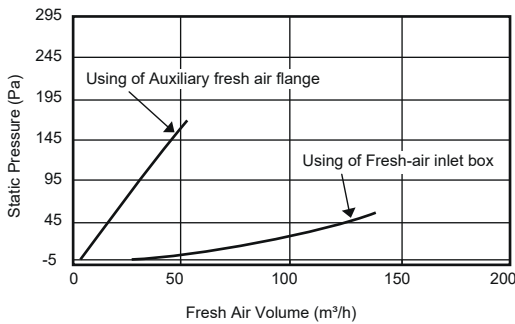
4. Fresh Air Intake

Usage

Fresh air is taken by using Fresh-air chamber and Fresh-air inlet box. And also is subsidiarily taken by using Auxiliary fresh air flange through the knock-out hole of the indoor unit body.

Caution

1. Be sure to provide air return.
2. The fresh air shall be treated by heat reclaim ventilator or the like.
3. Recommended treated air temperature is 12 °C to 30 °C.
4. Be sure to decide the fresh air volume so that mixed suction air with fresh air keep operating temperature. Provide an air filter in fresh air way to prevent sucking dust.
5. Be sure to insulate the fresh air duct.
In order to accelerate starting up in heating mode, implement pre-heating operation by cutting off Fresh Air Intake.
6. The operating sound might increase when fresh air intake.



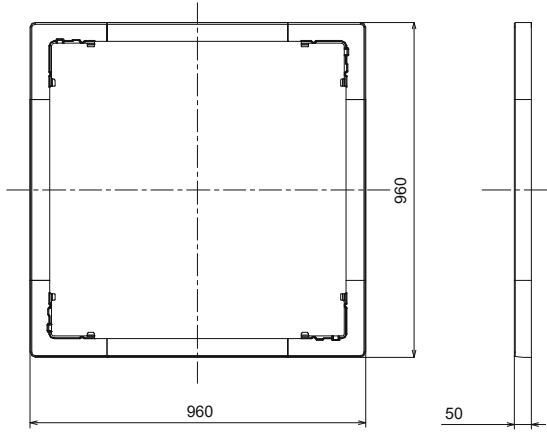
Characteristics between air volume of branching duct and static pressure

Following fresh air intake ratio is available by using the booster fan.

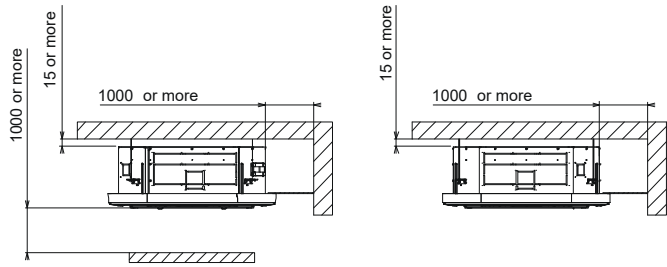
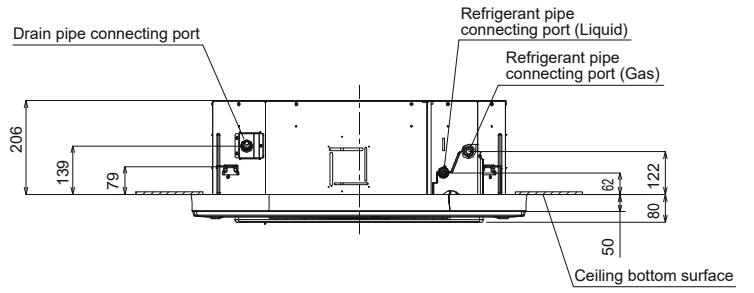
1. Fresh-air inlet box with Fresh-air chamber.
By using duct fan (local procurement), it is available to inlet up to 110 m³/h and 5% of rated air volume.
2. Auxiliary fresh air flange through the knock-out hole of the indoor unit body.
By using duct fan (local procurement), it is available to inlet up to 30 m³/h and 2% of rated air volume.

5. Spacer for height adjustment (TCB-SP1602UE)

Unit : mm

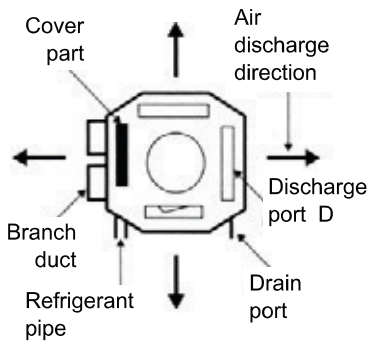


Material : Styrene foam
Color : Moon white



Space required for installation

6. Air discharge direction kit (TCB-BC1602UE)



		Limited models only		
3-way air flow	<p>Wind shield C</p>	<p>Wind shield A</p>	<p>Wind shield B</p>	<p>Wind shield A</p>
	Available for all models	Available for all models	Available only for 56 to 80 type	Available only for 110 to 160 type
2-way air flow	<p>Wind shield B Wind shield A</p>	<p>Wind shield A Wind shield C</p>	<p>Wind shield B Wind shield C</p>	
	Available for all models	Available for all models	Available for all models	

2-2. Compact 4-way Cassette Type

2-2-1. Specifications

2-2-2. Dimension

2-2-3. Wiring Diagrams

2-2-4. Sensible Capacity Table

2-2-5. Part Load Performance

2-2-6. Air throw Distance Chart

2-2-7. Sound Characteristics (NC Curve)

2-2-1. Specifications

Compact 4-way cassette type

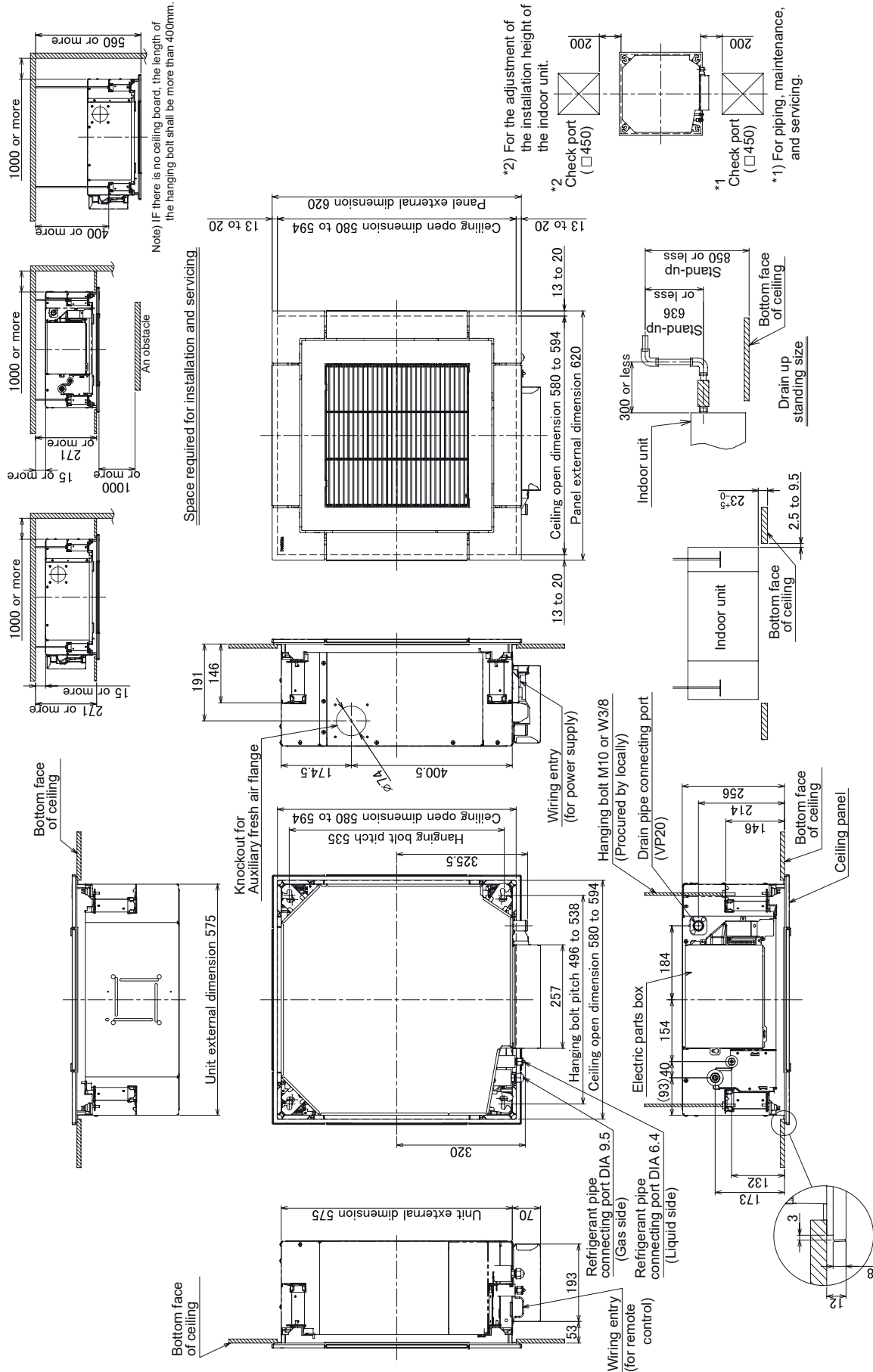
Model		Indoor unit	RAV-HM301MUT-E	RAV-HM401MUT-E	RAV-HM561MUT-E / TR
		Outdoor unit	RAV-GM302ATP-E	RAV-GM402ATP-E	RAV-GM562ATP-E / TR
Cooling capacity		(kW)	2.5 < 0.9-3.0 >	3.6 < 0.9-4.0 >	5.0 < 1.5 - 5.6 >
Heating capacity		(kW)	3.4 < 0.8-4.5 >	4.0 < 0.8-5.0 >	5.3 < 1.5 - 6.3 >
Power supply			1 phase 220V-240V/50Hz, 1phase 220V/60Hz		
Electrical characteristics	Cooling	Running current (A)	2.98-2.73	4.40-4.03	7.93-7.27
		Power consumption (kW)	0.59	0.90	1.64
		Power factor (%)	90	93	94
		EER	4.24	4.00	3.05
		SEER	5.94	5.76	5.69
	Heating	Running current (A)	3.75-3.44	4.64-4.26	7.12 - 6.53
		Power consumption (kW)	0.76	0.95	1.47
		Power factor (%)	92	93	93
		COP	4.47	4.21	3.61
		SCOP	4.70	4.44	4.37
Maximum current (A)			7.9	9.2	15.5
Indoor unit					
Appearance	Main unit		Zinc hot dipping steel plate *Heat-insulating material attached to only upper plate		
	Ceiling panel (Sold separately)	Model	RBC-UM21PG(W)-E		
		Panel color	Gran White (Mansell 5PB9/1)		
Outer dimension	Main unit	Height (mm)	256	256	256
		Width (mm)	575	575	575
		Depth (mm)	575	575	575
	Ceiling panel (Sold separately)	Height (mm)	12	12	12
		Width (mm)	620	620	620
		Depth (mm)	620	620	620
Total weight	Main unit (kg)		15.0	15.0	15.0
	Ceiling panel (Sold separately) (kg)		3.0	3.0	3.0
Fan unit	Fan		Turbo fan		
	Standard air flow	H/M/L (m3/h)	640/520/440	660/552/468	798/672/546
	Motor (W)		60		
Air filter		Standard filter (Long life filter)			
Sound pressure level		H/M/L (dB)	38/36/30	41/36/32	44/39/35
Sound power level		H/M/L (dB)	53/51/45	56/51/47	59/54/50
Connecting pipe	Drain port		VP20		

Note : Rated conditions Cooling : Indoor air temperature 27 °C DB / 19 °C WB, Outdoor air temperature 35 °C DB

Heating : Indoor air temperature 20 °C DB, Outdoor air temperature 7 °C DB / 6 °C WB

2-2-2. Dimension

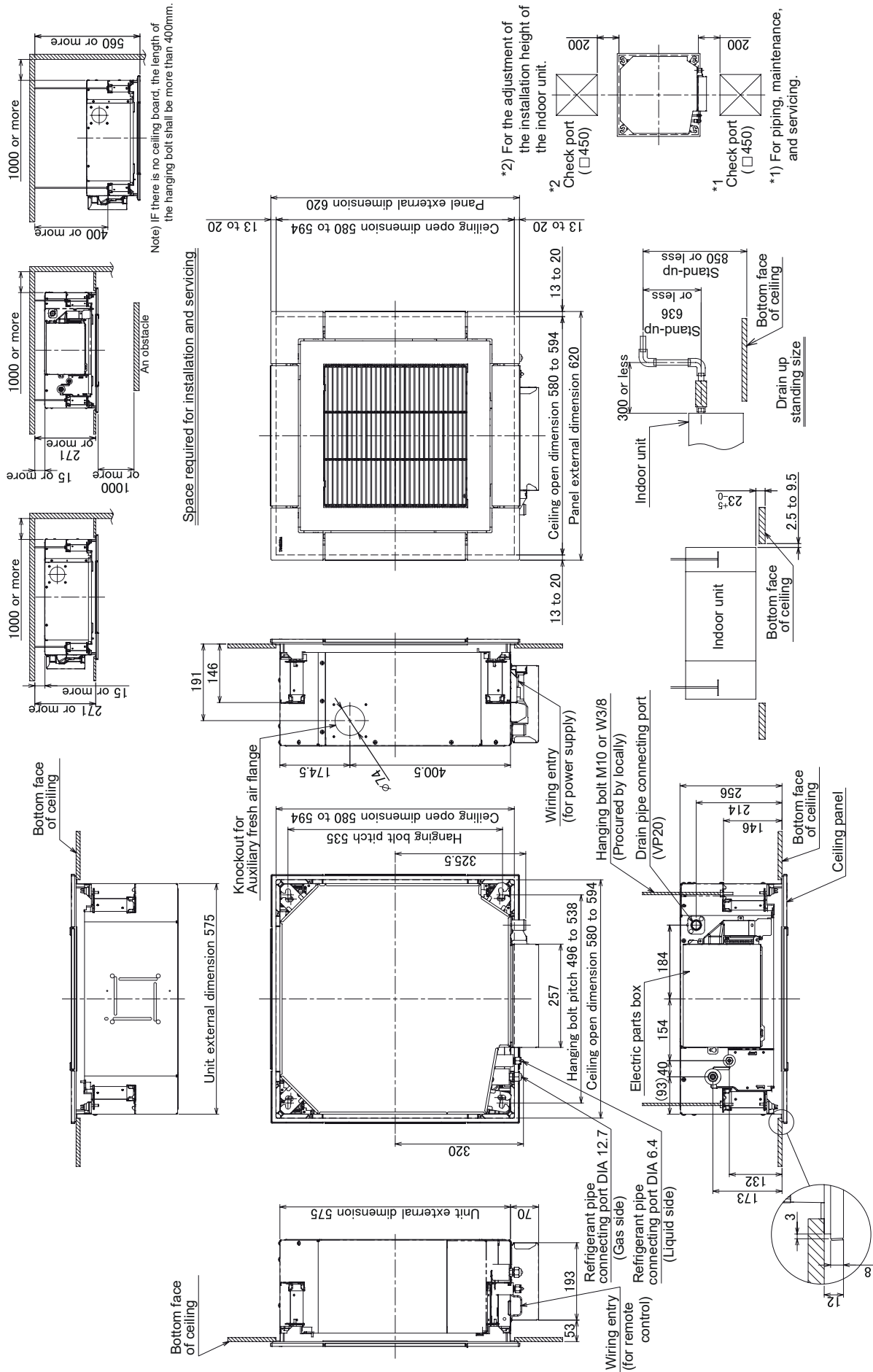
RAV-HM301MUT-E



(Unit: mm)

RAV-HM*_1MUT-E (*40 / 56)

RAV-HM561MUT-TR

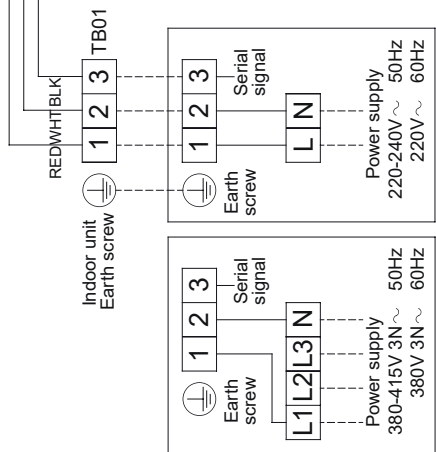
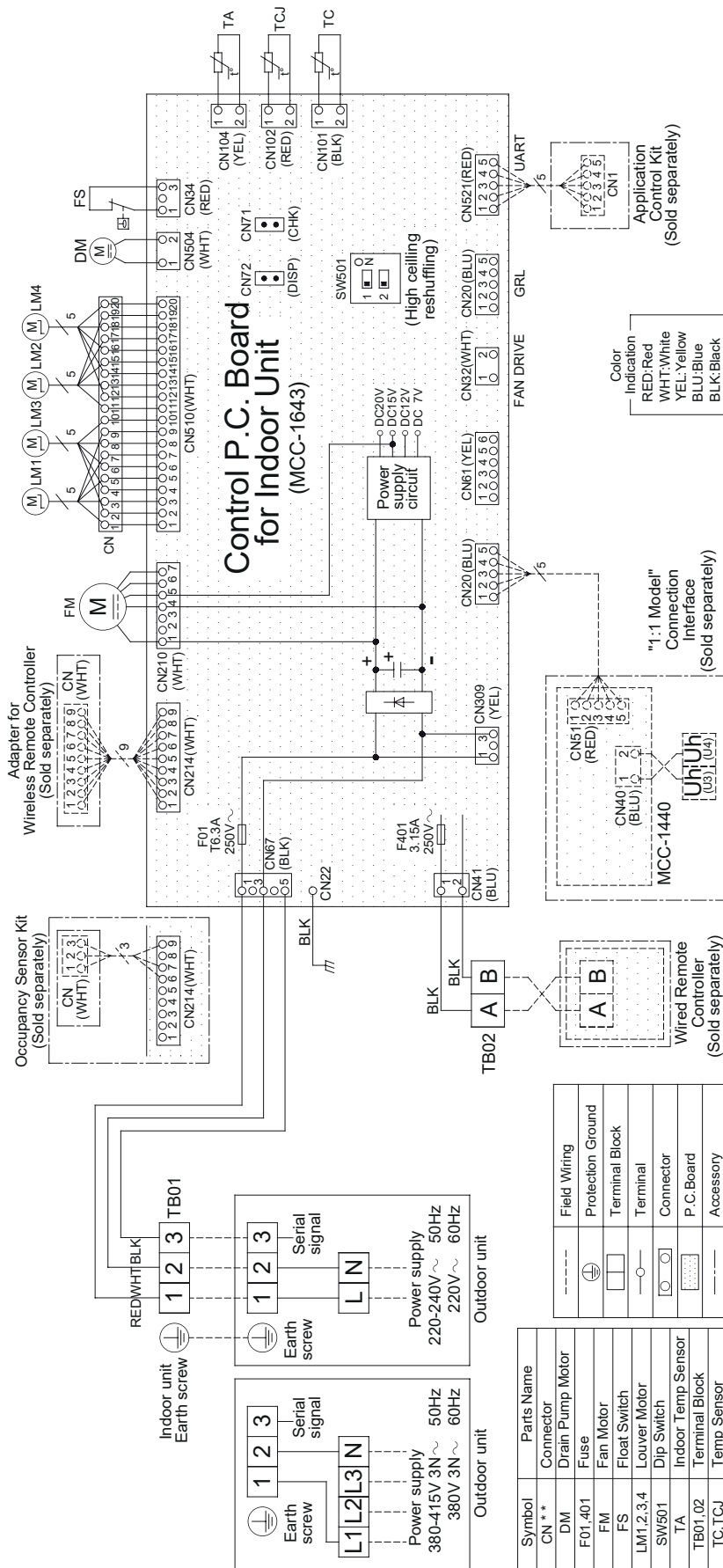


(Unit: mm)

2-2-3. Wiring Diagrams

RAV-HM*_1MUT-E (*30 / 40)

RAV-HM561MUT-E / TR



Symbol	Parts Name
---	Field Wiring
⊕	Protection Ground
□	Terminal Block
○	Terminal
⊡	Connector
⊡	P.C.Board
---	Accessory

Symbol	Parts Name
CN **	Connector
DM	Drain Pump Motor
F01.401	Fuse
FM	Fan Motor
FS	Fan Motor
LM1,2,3,4	Louver Motor
SW501	Dip Switch
TA	Indoor Temp Sensor
TB01.02	Terminal Block
TC, TCJ	Temp Sensor

2-2-4. Sensible Capacity Table

Product models : RAV-HM301MUT-E ; RAV-GM302ATP-E

Standard Condition

Indoor	27.0 °C DB / 19.0 °C WB
Outdoor	35.0 °C DB / 24.0 °C WB

Specification of product at standard condition.

Total Cooling Capacity (TC)	2.50 kW
Sensible Heat Capacity (SHC)	1.95 kW

Outdoor air temp. °C DB	Indoor Air temperature																	
	14.0 °C WB		15.0 °C WB		16.0 °C WB		17.0 °C WB		18.0 °C WB		19.0 °C WB		20.0 °C WB		22.0 °C WB		24.0 °C WB	
	20.0 °C DB		21.0 °C DB		23.0 °C DB		24.0 °C DB		26.0 °C DB		27.0 °C DB		28.0 °C DB		30.0 °C DB		32.0 °C DB	
	TC	SHC	TC	SHC	TC	SHC	TC	SHC	TC	SHC	TC	SHC	TC	SHC	TC	SHC	TC	SHC
10.0	2.71	2.28	2.81	2.33	3.00	2.43	3.07	2.48	3.21	2.58	3.30	2.58	3.40	2.57	3.60	2.54	3.76	2.49
12.0	2.66	2.24	2.75	2.29	2.94	2.38	3.01	2.43	3.15	2.53	3.24	2.53	3.33	2.52	3.53	2.49	3.69	2.44
14.0	2.61	2.19	2.70	2.24	2.88	2.33	2.95	2.38	3.08	2.48	3.17	2.48	3.26	2.47	3.46	2.44	3.62	2.39
16.0	2.55	2.15	2.64	2.20	2.82	2.29	2.89	2.34	3.02	2.43	3.11	2.43	3.20	2.42	3.39	2.40	3.54	2.34
18.0	2.50	2.10	2.59	2.15	2.76	2.24	2.83	2.29	2.96	2.38	3.05	2.38	3.13	2.37	3.32	2.35	3.47	2.30
20.0	2.45	2.06	2.53	2.11	2.70	2.19	2.77	2.24	2.90	2.33	2.98	2.33	3.07	2.32	3.25	2.30	3.40	2.25
21.0	2.42	2.04	2.51	2.08	2.68	2.17	2.74	2.22	2.86	2.31	2.95	2.30	3.03	2.30	3.21	2.27	3.36	2.22
23.0	2.37	1.99	2.45	2.04	2.62	2.12	2.68	2.17	2.80	2.26	2.89	2.25	2.97	2.25	3.14	2.22	3.29	2.18
25.0	2.32	1.95	2.40	1.99	2.56	2.08	2.62	2.12	2.74	2.21	2.82	2.20	2.90	2.20	3.07	2.17	3.21	2.13
27.0	2.26	1.90	2.34	1.95	2.50	2.03	2.56	2.07	2.68	2.16	2.76	2.15	2.84	2.15	3.00	2.12	3.14	2.08
29.0	2.21	1.86	2.29	1.90	2.44	1.98	2.50	2.02	2.62	2.11	2.69	2.10	2.77	2.10	2.93	2.07	3.07	2.03
31.0	2.16	1.82	2.23	1.86	2.38	1.93	2.44	1.97	2.55	2.06	2.63	2.05	2.70	2.05	2.86	2.02	2.99	1.98
33.0	2.11	1.77	2.18	1.81	2.33	1.89	2.38	1.93	2.49	2.01	2.56	2.00	2.64	2.00	2.79	1.98	2.92	1.93
35.0	2.05	1.73	2.12	1.77	2.27	1.84	2.32	1.88	2.43	1.95	2.50	1.95	2.57	1.95	2.72	1.93	2.85	1.89
37.0	2.00	1.68	2.07	1.72	2.21	1.79	2.26	1.83	2.37	1.90	2.44	1.90	2.51	1.90	2.65	1.88	2.78	1.84
39.0	1.95	1.64	2.02	1.67	2.15	1.74	2.20	1.78	2.30	1.85	2.37	1.85	2.44	1.85	2.58	1.83	2.70	1.79
40.0	1.92	1.62	1.99	1.65	2.12	1.72	2.17	1.76	2.27	1.83	2.34	1.82	2.41	1.82	2.55	1.80	2.67	1.76
42.0	1.87	1.57	1.93	1.61	2.06	1.67	2.11	1.71	2.21	1.78	2.28	1.77	2.34	1.77	2.48	1.75	2.59	1.72
43.0	1.84	1.55	1.91	1.58	2.03	1.65	2.08	1.69	2.18	1.75	2.24	1.75	2.31	1.75	2.44	1.73	2.56	1.69
45.0	1.79	1.51	1.85	1.54	1.98	1.60	2.02	1.64	2.12	1.70	2.18	1.70	2.24	1.70	2.37	1.68	2.48	1.64
46.0	1.76	1.48	1.82	1.52	1.95	1.58	1.99	1.61	2.09	1.68	2.15	1.67	2.21	1.67	2.34	1.65	2.45	1.62

Product models : RAV-HM401MUT-E ; RAV-GM402ATP-E

Standard Condition

Indoor	27.0 °C DB / 19.0 °C WB
Outdoor	35.0 °C DB / 24.0 °C WB

Specification of product at standard condition.

Total Cooling Capacity (TC)	3.60 kW
Sensible Heat Capacity (SHC)	2.80 kW

Outdoor air temp. °C DB	Indoor Air temperature																	
	14.0 °C WB		15.0 °C WB		16.0 °C WB		17.0 °C WB		18.0 °C WB		19.0 °C WB		20.0 °C WB		22.0 °C WB		24.0 °C WB	
	20.0 °C DB		21.0 °C DB		23.0 °C DB		24.0 °C DB		26.0 °C DB		27.0 °C DB		28.0 °C DB		30.0 °C DB		32.0 °C DB	
	TC	SHC	TC	SHC	TC	SHC	TC	SHC	TC	SHC	TC	SHC	TC	SHC	TC	SHC	TC	SHC
10.0	3.91	3.28	4.04	3.35	4.31	3.49	4.42	3.56	4.62	3.71	4.76	3.70	4.89	3.69	5.18	3.65	5.42	3.57
12.0	3.83	3.21	3.96	3.28	4.23	3.42	4.33	3.49	4.53	3.64	4.66	3.63	4.80	3.62	5.08	3.58	5.31	3.50
14.0	3.75	3.15	3.88	3.22	4.15	3.35	4.24	3.42	4.44	3.56	4.57	3.55	4.70	3.55	4.98	3.51	5.21	3.43
16.0	3.68	3.08	3.81	3.15	4.06	3.29	4.16	3.35	4.35	3.49	4.48	3.48	4.61	3.48	4.88	3.44	5.10	3.37
18.0	3.60	3.02	3.73	3.09	3.98	3.22	4.07	3.29	4.26	3.42	4.39	3.41	4.51	3.41	4.78	3.37	5.00	3.30
20.0	3.53	2.96	3.65	3.02	3.89	3.15	3.99	3.22	4.17	3.35	4.29	3.34	4.42	3.33	4.68	3.30	4.89	3.23
21.0	3.49	2.93	3.61	2.99	3.85	3.12	3.94	3.18	4.13	3.31	4.25	3.30	4.37	3.30	4.63	3.26	4.84	3.19
23.0	3.41	2.86	3.53	2.93	3.77	3.05	3.86	3.11	4.04	3.24	4.15	3.23	4.27	3.23	4.53	3.19	4.73	3.12
25.0	3.34	2.80	3.45	2.86	3.68	2.98	3.77	3.04	3.95	3.17	4.06	3.16	4.18	3.15	4.42	3.12	4.63	3.05
27.0	3.26	2.73	3.37	2.80	3.60	2.91	3.69	2.97	3.86	3.10	3.97	3.09	4.08	3.08	4.32	3.05	4.52	2.98
29.0	3.18	2.67	3.30	2.73	3.52	2.84	3.60	2.90	3.77	3.02	3.88	3.02	3.99	3.01	4.22	2.98	4.42	2.91
31.0	3.11	2.61	3.22	2.67	3.43	2.78	3.51	2.84	3.68	2.95	3.78	2.94	3.89	2.94	4.12	2.91	4.31	2.84
33.0	3.03	2.54	3.14	2.60	3.35	2.71	3.43	2.77	3.59	2.88	3.69	2.87	3.80	2.87	4.02	2.84	4.21	2.78
35.0	2.96	2.48	3.06	2.54	3.27	2.64	3.34	2.70	3.50	2.81	3.60	2.80	3.70	2.80	3.92	2.76	4.10	2.71
37.0	2.88	2.42	2.98	2.47	3.18	2.57	3.26	2.63	3.41	2.74	3.51	2.73	3.61	2.72	3.82	2.69	4.00	2.64
39.0	2.81	2.35	2.90	2.41	3.10	2.51	3.17	2.56	3.32	2.66	3.42	2.66	3.51	2.65	3.72	2.62	3.89	2.57
40.0	2.77	2.32	2.86	2.37	3.06	2.47	3.13	2.52	3.27	2.63	3.37	2.62	3.47	2.62	3.67	2.59	3.84	2.53
42.0	2.69	2.26	2.79	2.31	2.97	2.40	3.04	2.45	3.18	2.56	3.28	2.55	3.37	2.54	3.57	2.52	3.73	2.46
43.0	2.65	2.23	2.75	2.28	2.93	2.37	3.00	2.42	3.14	2.52	3.23	2.51	3.32	2.51	3.52	2.48	3.68	2.43
45.0	2.58	2.16	2.67	2.21	2.85	2.30	2.91	2.35	3.05	2.45	3.14	2.44	3.23	2.44	3.42	2.41	3.58	2.36
46.0	2.54	2.13	2.63	2.18	2.80	2.27	2.87	2.32	3.00	2.41	3.09	2.40	3.18	2.40	3.37	2.37	3.52	2.32

Product models : RAV-HM561MUT-E / TR ; RAV-GM562ATP-E / TR

Standard Condition

Indoor	27.0 °C DB / 19.0 °C WB
Outdoor	35.0 °C DB / 24.0 °C WB

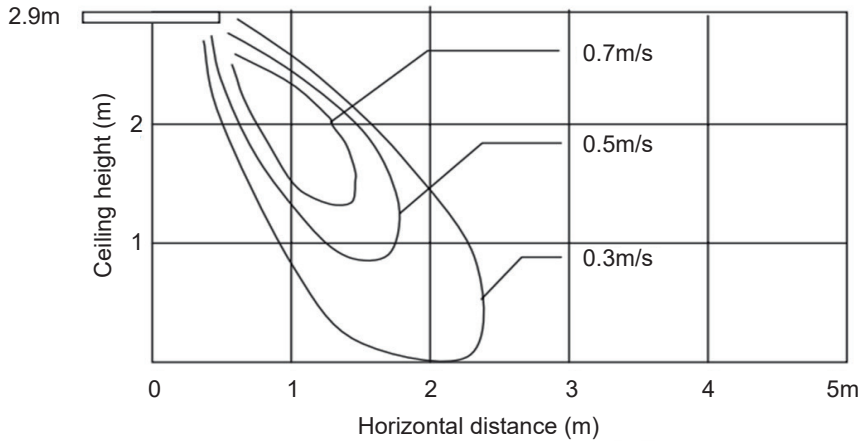
Specification of product at standard condition.

Total Cooling Capacity (TC)	5.00	kW
Sensible Heat Capacity (SHC)	3.70	kW

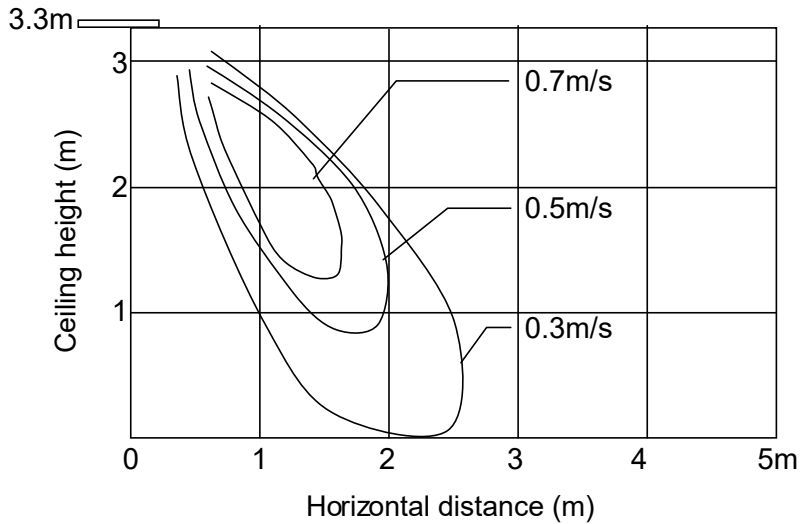
Outdoor air temp. °C DB	Indoor Air temperature																	
	14.0 °C WB		15.0 °C WB		16.0 °C WB		17.0 °C WB		18.0 °C WB		19.0 °C WB		20.0 °C WB		22.0 °C WB		24.0 °C WB	
	20.0 °C DB	21.0 °C DB	23.0 °C DB	24.0 °C DB	26.0 °C DB	27.0 °C DB	28.0 °C DB	30.0 °C DB	32.0 °C DB	TC	SHC	TC	SHC	TC	SHC	TC	SHC	TC
10.0	5.42	4.34	5.61	4.44	5.99	4.62	6.13	4.72	6.42	4.91	6.60	4.89	6.79	4.87	7.19	4.80	7.52	4.68
12.0	5.32	4.26	5.50	4.35	5.87	4.53	6.01	4.62	6.29	4.81	6.48	4.79	6.66	4.78	7.05	4.71	7.38	4.59
14.0	5.21	4.18	5.40	4.27	5.76	4.44	5.89	4.53	6.17	4.72	6.35	4.70	6.53	4.68	6.91	4.61	7.23	4.50
16.0	5.11	4.09	5.29	4.18	5.64	4.35	5.78	4.44	6.04	4.62	6.22	4.60	6.40	4.59	6.77	4.52	7.09	4.41
18.0	5.00	4.01	5.18	4.09	5.52	4.26	5.66	4.35	5.92	4.53	6.09	4.51	6.27	4.49	6.63	4.43	6.94	4.32
20.0	4.90	3.92	5.07	4.01	5.41	4.17	5.54	4.26	5.79	4.43	5.96	4.41	6.13	4.40	6.49	4.33	6.79	4.22
21.0	4.84	3.88	5.01	3.96	5.35	4.13	5.48	4.21	5.73	4.38	5.90	4.36	6.07	4.35	6.43	4.29	6.72	4.18
23.0	4.74	3.80	4.90	3.88	5.23	4.04	5.36	4.12	5.60	4.29	5.77	4.27	5.94	4.26	6.29	4.19	6.57	4.09
25.0	4.63	3.71	4.80	3.79	5.12	3.95	5.24	4.03	5.48	4.19	5.64	4.17	5.80	4.16	6.15	4.10	6.43	4.00
27.0	4.53	3.63	4.69	3.71	5.00	3.86	5.12	3.94	5.36	4.10	5.51	4.08	5.67	4.07	6.01	4.01	6.28	3.91
29.0	4.42	3.54	4.58	3.62	4.88	3.77	5.00	3.85	5.23	4.00	5.39	3.98	5.54	3.97	5.87	3.91	6.14	3.82
31.0	4.32	3.46	4.47	3.53	4.77	3.68	4.88	3.75	5.11	3.91	5.26	3.89	5.41	3.88	5.73	3.82	5.99	3.72
33.0	4.21	3.37	4.36	3.45	4.65	3.59	4.76	3.66	4.98	3.81	5.13	3.79	5.28	3.78	5.59	3.73	5.84	3.63
35.0	4.11	3.29	4.25	3.36	4.54	3.50	4.64	3.57	4.86	3.72	5.00	3.70	5.14	3.69	5.45	3.63	5.70	3.54
37.0	4.00	3.20	4.14	3.27	4.42	3.41	4.52	3.48	4.73	3.62	4.87	3.61	5.01	3.59	5.31	3.54	5.55	3.45
39.0	3.90	3.12	4.03	3.19	4.30	3.32	4.40	3.39	4.61	3.52	4.74	3.51	4.88	3.50	5.17	3.45	5.40	3.36
40.0	3.01	2.41	3.11	2.46	3.32	2.56	3.40	2.62	3.56	2.72	3.66	2.71	3.77	2.70	3.99	2.66	4.18	2.60
42.0	2.80	2.24	2.90	2.29	3.09	2.38	3.16	2.43	3.31	2.53	3.41	2.52	3.51	2.51	3.71	2.48	3.88	2.41
43.0	2.69	2.16	2.79	2.20	2.98	2.29	3.05	2.34	3.19	2.44	3.28	2.43	3.37	2.42	3.57	2.38	3.74	2.32
45.0	1.79	1.43	1.85	1.46	1.98	1.52	2.02	1.55	2.12	1.62	2.18	1.61	2.24	1.61	2.37	1.58	2.48	1.54
46.0	1.68	1.35	1.74	1.38	1.86	1.43	1.90	1.46	1.99	1.52	2.05	1.52	2.11	1.51	2.23	1.49	2.33	1.45

2-2-6. Air Throw Distance Chart

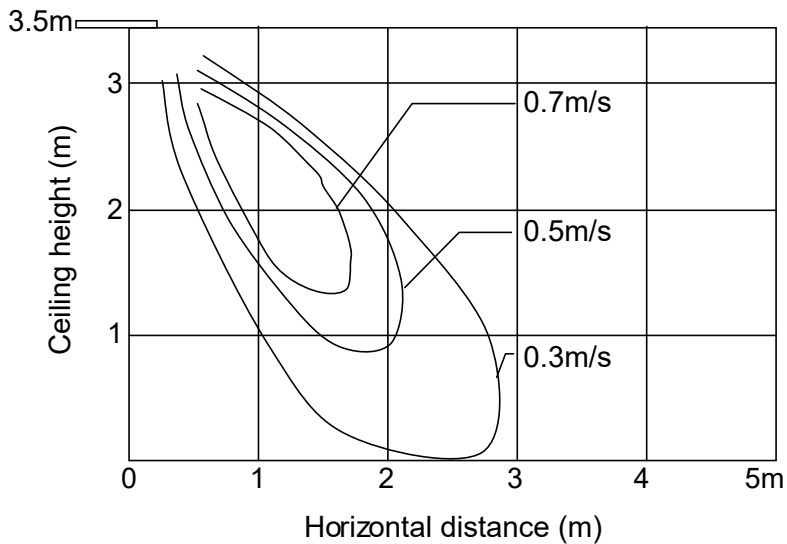
RAV-HM*__1MUT-E (*30 / 40)



RAV-HM561MUT-E / TR



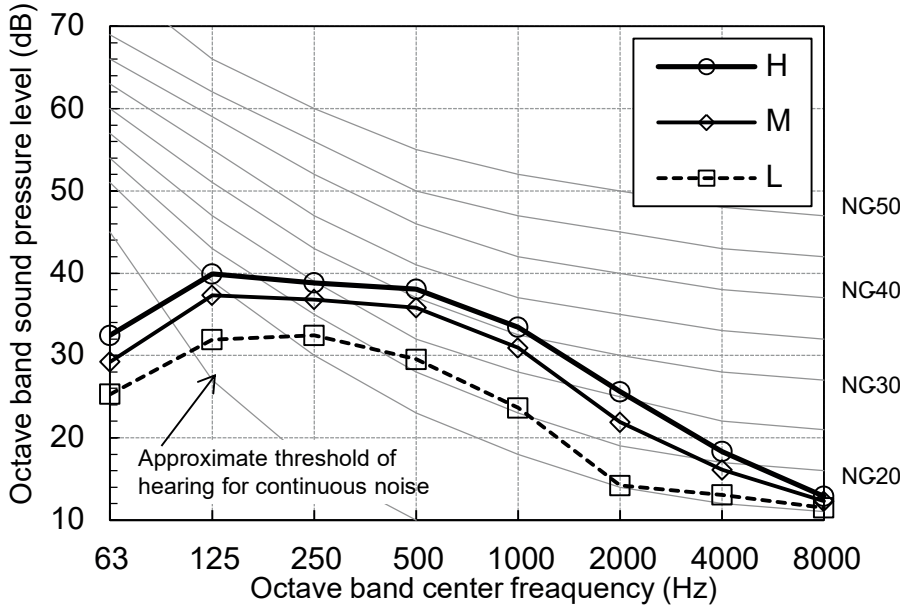
(High ceiling mode)



2-2-7. Sound Characteristics (NC curve)

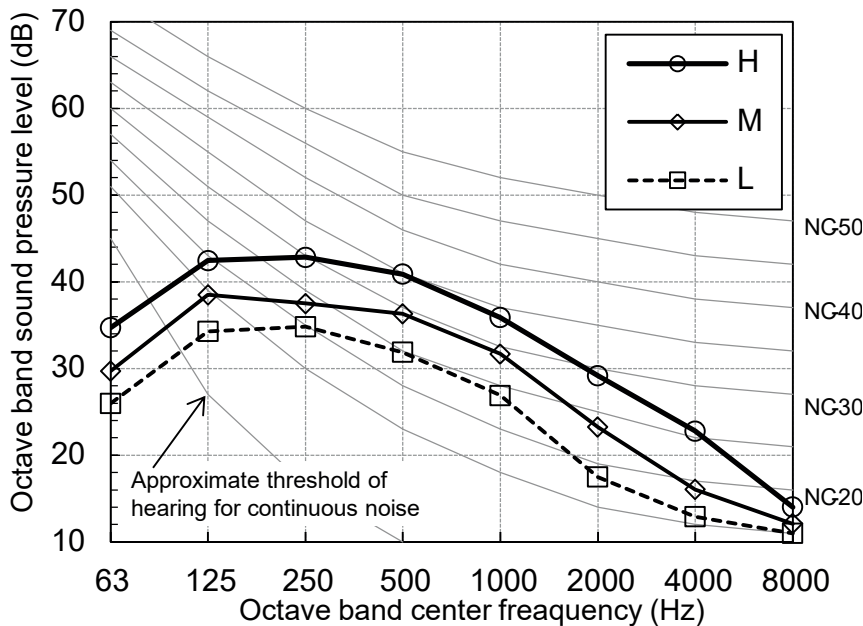
RAV-HM301MUT-E

Fan tap	H	M	L
Sound pressure level (dB(A))	38	36	30



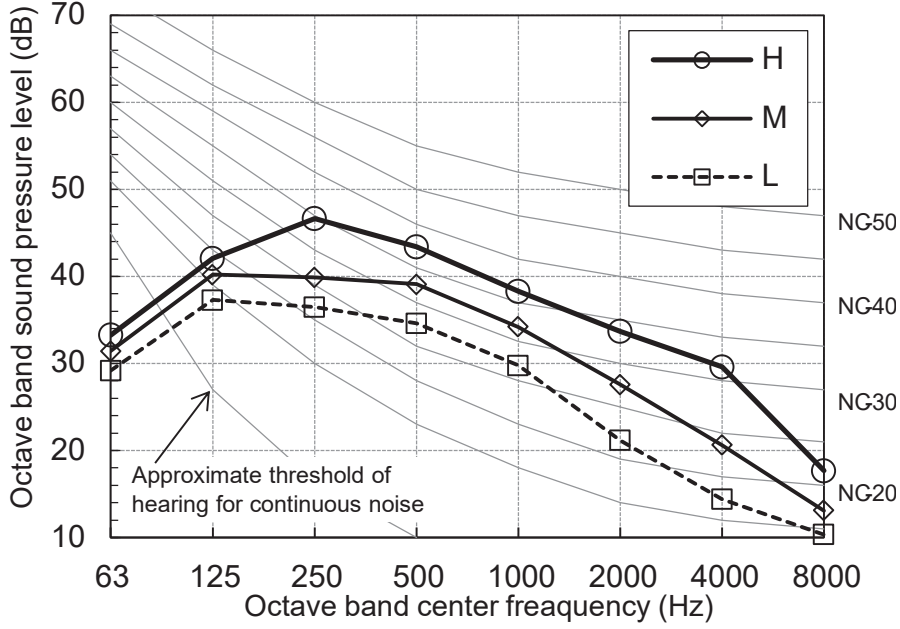
RAV-HM401MUT-E

Fan tap	H	M	L
Sound pressure level (dB(A))	41	36	32

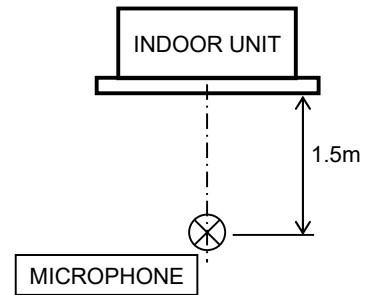


RAV-HM561MUT-E / TR

Fan tap	H	M	L
Sound pressure level (dB(A))	44	39	35



Remark



2-3. Standard Ducted Type

2-3-1. Specifications

2-3-2. Dimension

2-3-3. Wiring Diagrams

2-3-4. Sensible Capacity Table

2-3-5. Part Load Performance

2-3-6. Fan Static Characteristic

2-3-7. Sound Characteristics (NC Curve)

Accessories

2-3-1. Specifications

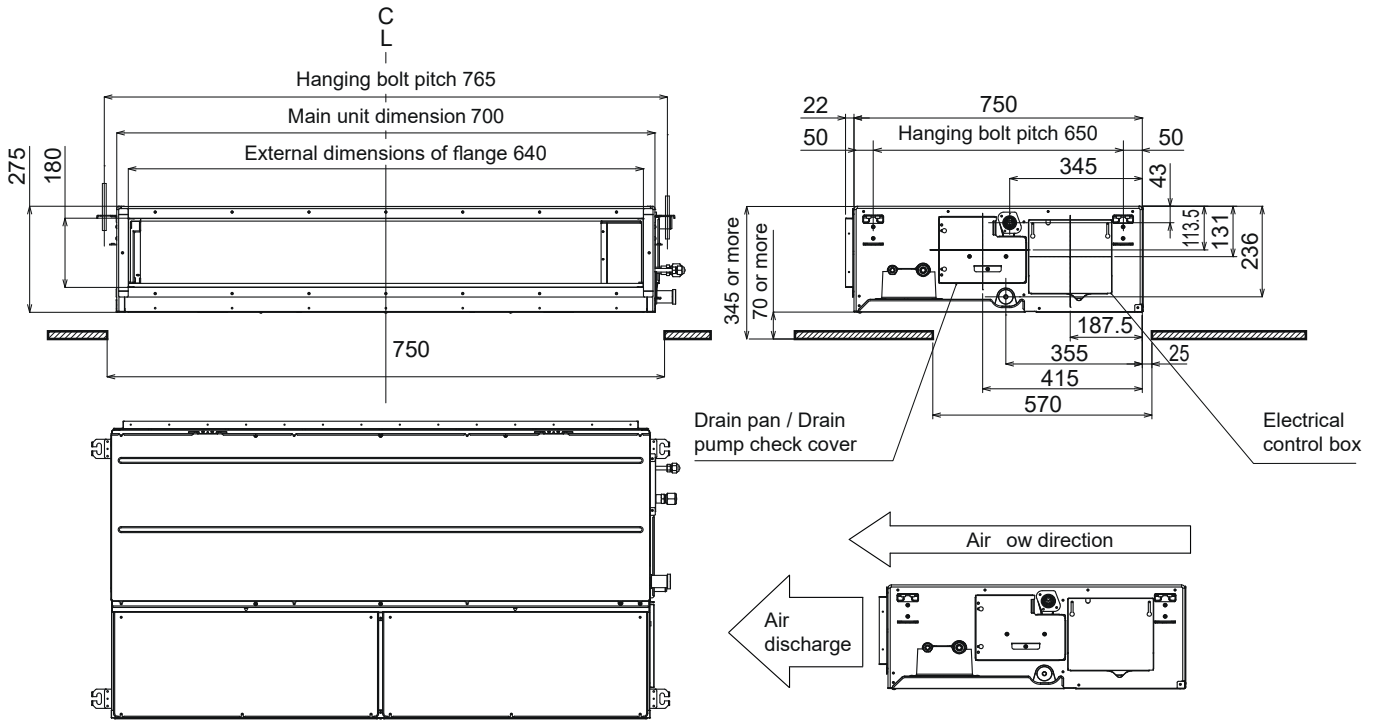
Standard ducted type

Model	Indoor unit		RAV-HM561BTP-E / TR
	Outdoor unit		RAV-GM562ATP-E / TR
Cooling Capacity	(kW)		5.0
Heating Capacity	(kW)		5.3
Power Supply	1 phase 220V-240V, 50Hz		
Electrical Characteristics	Cooling	Running current (A)	8.58 - 7.86
		Power consumption (kW)	1.830
		Power factor (%)	97
		EER	2.73
		SEER	5.80
		Energy star rating	A+
	Heating	Running current (A)	7.59 - 6.96
		Power consumption (kW)	1.620
		Power factor (%)	97
		COP	3.27
		SCOP	4.08
	Energy star rating	A+	
	Maximum current (A)	15.5	
Appearance	Main unit		Zinc hot dipping steel plate
	Spigot flange (Sold separately)		TCB-SF56C6BPE
Outer dimension	Main unit	Height (mm)	275
		Width (mm)	700
		Depth (mm)	750
	Spigot flange (Sold separately)	Height (mm)	263
		Width (mm)	684
		Depth (mm)	174
Total weight	Main unit (kg)		23
	Spigot flange (Sold separately) (kg)		2.5
Heat exchanger	Finned tube		
Fan unit	Fan		Centrifugal fan (multi blade)
	Standard air flow	H/M/L (m ³ /min)	13.3/10.5/8.0
	Motor (W)		150
Air filter	Standard filter attached (long life filter)		
Controller (packed with indoor unit)	-		
Controller (sold separately)	RBC-ASCU11-E, RBC-AMT32E, RBC-AS21E2, RBC-AMS41E, RBC-AMS51E		
Sound pressure level	H/M/L (dB·A)	33/29/25	
Sound power level	H/M/L (dB·A)	48/44/40	
Connecting pipe	Gas side (mm)	12.7	
	Liquid side (mm)	6.4	
	Drain port (mm)	VP25	

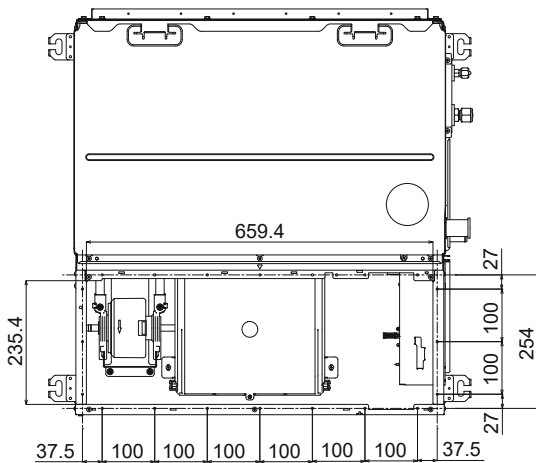
Note : Rated conditions Cooling : Indoor air temperature 27 °C DB / 19 °C WB, Outdoor air temperature 35 °C DB
 Heating : Indoor air temperature 20 °C DB, Outdoor air temperature 7 °C DB / 6 °C WB

2-3-2. Dimension

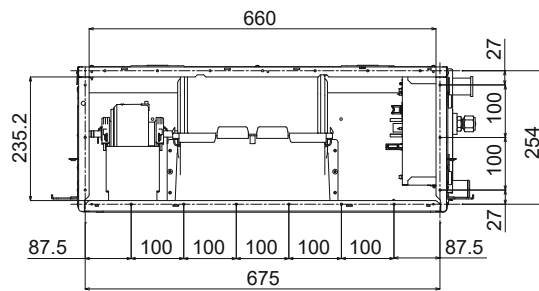
RAV-HM561BTP-E / TR



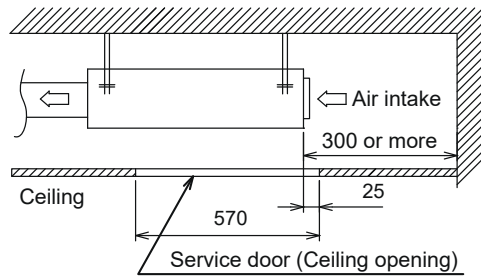
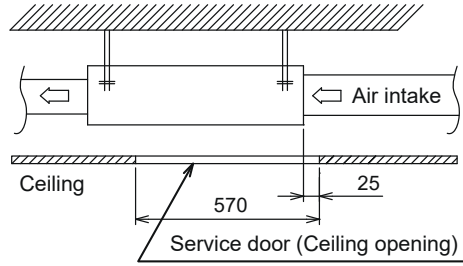
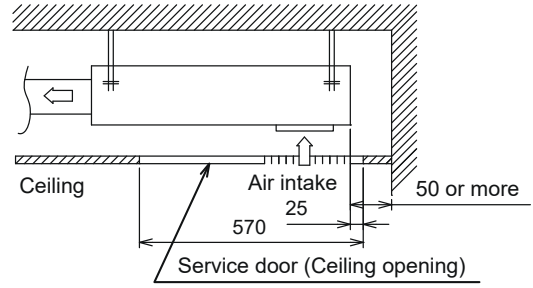
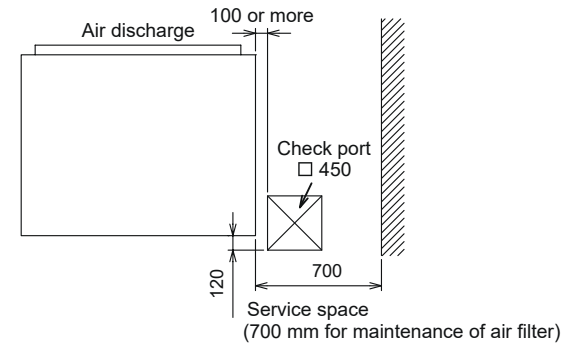
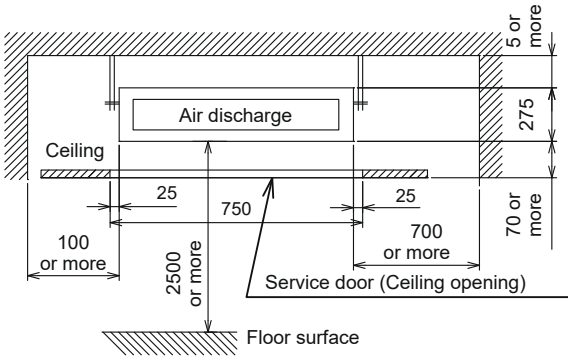
<Under air intake>



<Back air intake>



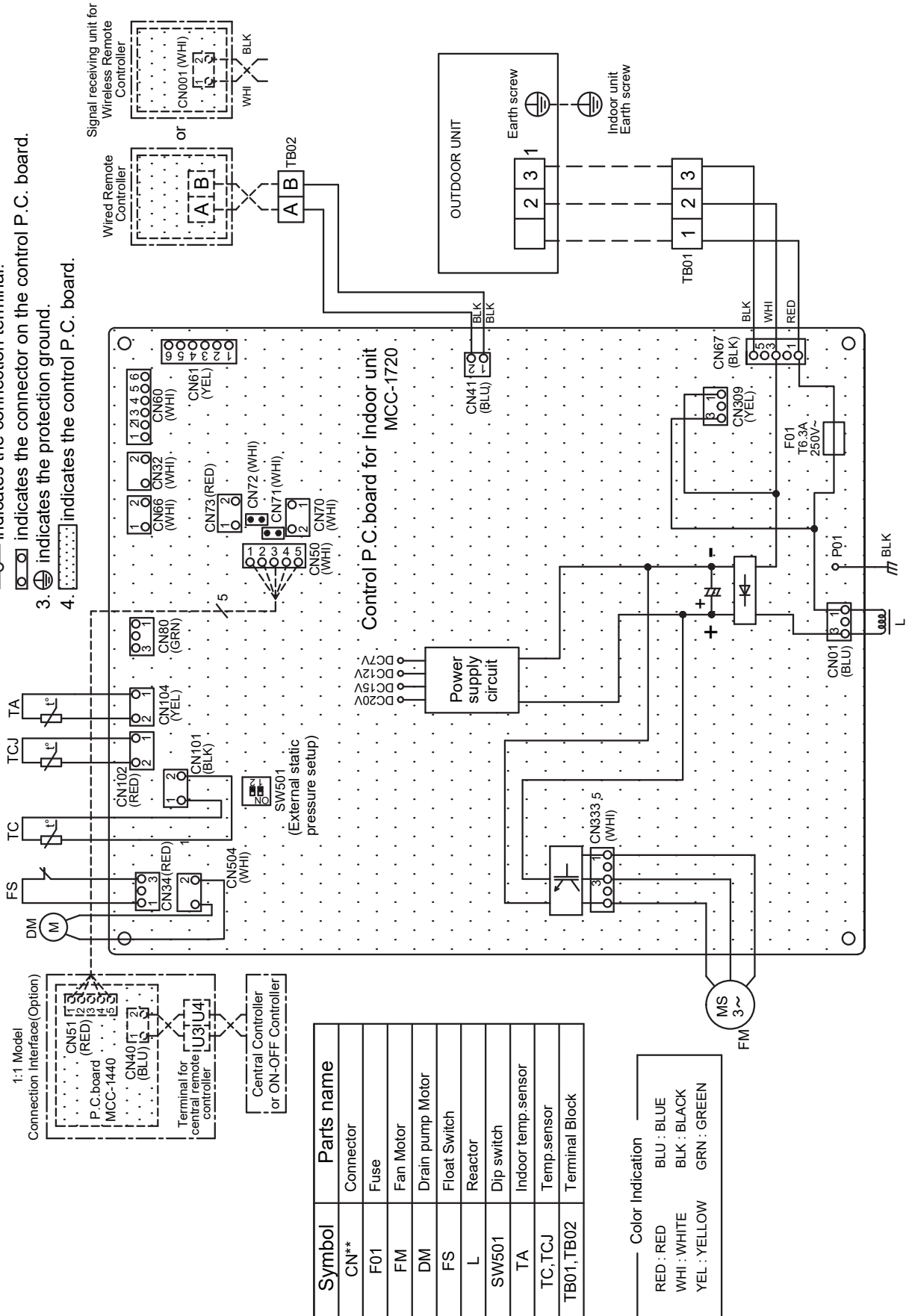
RAV-HM561BTP-E / TR



2-3-3. Wiring diagrams

RAV-HM561BTP-E / TR

1. Broken line indicate the wiring at site.
- Long dashed short dashed line indicate the accessories.
2. indicates the terminal block.
3. indicates the connection terminal.
4. indicates the connector on the control P.C. board.
5. indicates the protection ground.



Symbol	Parts name
CN**	Connector
F01	Fuse
FM	Fan Motor
DM	Drain pump Motor
FS	Float Switch
L	Reactor
SW501	Dip switch
TA, TCJ	Indoor temp. sensor
TC, TCJ	Temp. sensor
TB01, TB02	Terminal Block

Color Indication	
RED	: RED
BLU	: BLUE
WHI	: WHITE
BLK	: BLACK
YEL	: YELLOW
GRN	: GREEN

2-3-4. Sensible Capacity Table

Product models : RAV-HM561BTP-E / TR ; RAV-GM562ATP-E / TR

Standard Condition

Indoor	27.0 °C DB / 19.0 °C WB
Outdoor	35.0 °C DB / 24.0 °C WB

Specification of product at standard condition.

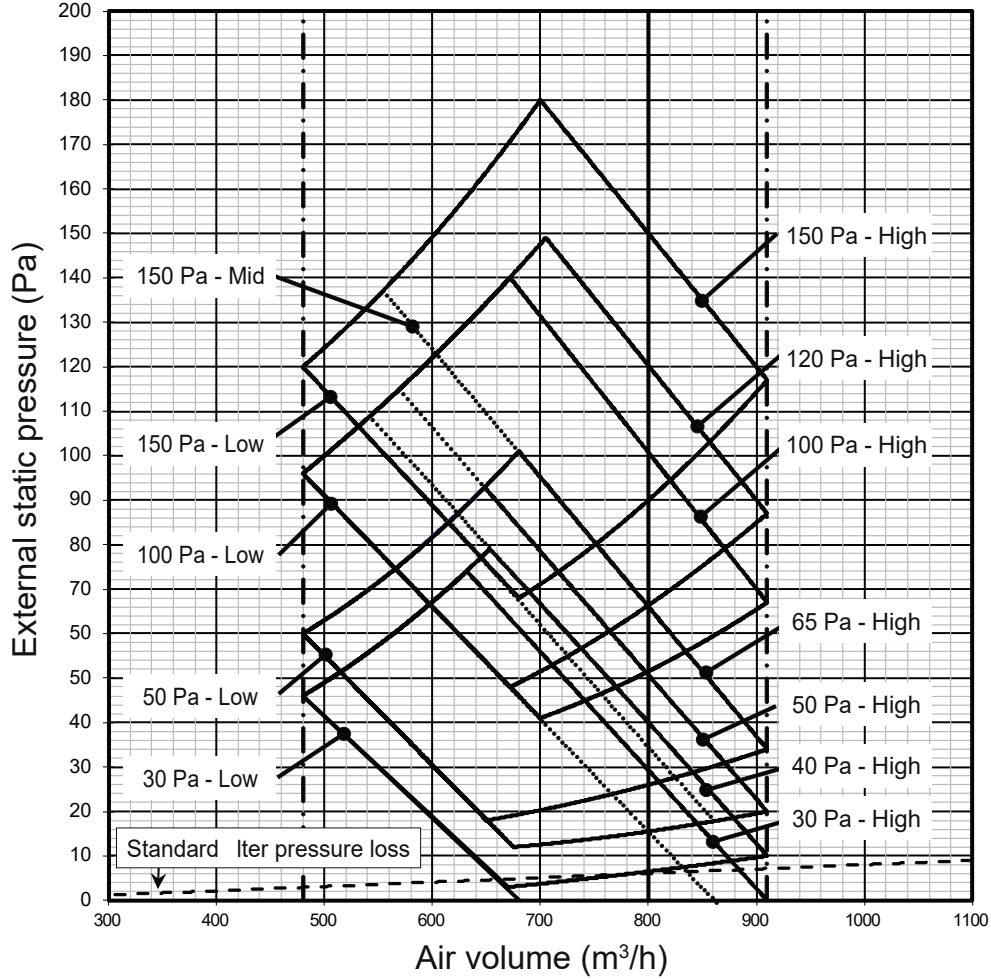
Total Cooling Capacity (TC)	5.00 kW
Sensible Heat Capacity (SHC)	3.90 kW

Outdoor air temp. °C DB	Indoor Air temperature																	
	14.0 °C WB		15.0 °C WB		16.0 °C WB		17.0 °C WB		18.0 °C WB		19.0 °C WB		20.0 °C WB		22.0 °C WB		24.0 °C WB	
	20.0 °C DB	21.0 °C DB	23.0 °C DB	24.0 °C DB	26.0 °C DB	27.0 °C DB	28.0 °C DB	30.0 °C DB	32.0 °C DB	TC	SHC	TC	SHC	TC	SHC	TC	SHC	TC
10.0	5.42	4.56	5.61	4.66	5.99	4.86	6.13	4.96	6.42	5.16	6.60	5.15	6.79	5.14	7.19	5.09	7.52	4.98
12.0	5.32	4.47	5.50	4.57	5.87	4.76	6.01	4.86	6.29	5.06	6.48	5.05	6.66	5.04	7.05	4.99	7.38	4.88
14.0	5.21	4.38	5.40	4.48	5.76	4.67	5.89	4.77	6.17	4.96	6.35	4.95	6.53	4.94	6.91	4.89	7.23	4.79
16.0	5.11	4.30	5.29	4.39	5.64	4.58	5.78	4.67	6.04	4.86	6.22	4.85	6.40	4.84	6.77	4.79	7.09	4.69
18.0	5.00	4.21	5.18	4.30	5.52	4.48	5.66	4.58	5.92	4.76	6.09	4.75	6.27	4.74	6.63	4.69	6.94	4.59
20.0	4.90	4.12	5.07	4.21	5.41	4.39	5.54	4.48	5.79	4.66	5.96	4.65	6.13	4.64	6.49	4.59	6.79	4.50
21.0	4.84	4.07	5.01	4.17	5.35	4.34	5.48	4.43	5.73	4.61	5.90	4.60	6.07	4.59	6.43	4.54	6.72	4.45
23.0	4.74	3.98	4.90	4.07	5.23	4.24	5.36	4.33	5.60	4.51	5.77	4.50	5.94	4.49	6.29	4.44	6.57	4.35
25.0	4.63	3.90	4.80	3.98	5.12	4.15	5.24	4.24	5.48	4.41	5.64	4.40	5.80	4.39	6.15	4.35	6.43	4.25
27.0	4.53	3.81	4.69	3.89	5.00	4.06	5.12	4.14	5.36	4.31	5.51	4.30	5.67	4.29	6.01	4.25	6.28	4.16
29.0	4.42	3.72	4.58	3.80	4.88	3.96	5.00	4.05	5.23	4.21	5.39	4.20	5.54	4.19	5.87	4.15	6.14	4.06
31.0	4.32	3.63	4.47	3.71	4.77	3.87	4.88	3.95	5.11	4.11	5.26	4.10	5.41	4.09	5.73	4.05	5.99	3.96
33.0	4.21	3.54	4.36	3.62	4.65	3.77	4.76	3.85	4.98	4.01	5.13	4.00	5.28	3.99	5.59	3.95	5.84	3.87
35.0	4.11	3.45	4.25	3.53	4.54	3.68	4.64	3.76	4.86	3.91	5.00	3.90	5.14	3.89	5.45	3.85	5.70	3.77
37.0	4.00	3.36	4.14	3.44	4.42	3.58	4.52	3.66	4.73	3.81	4.87	3.80	5.01	3.79	5.31	3.75	5.55	3.67
39.0	3.90	3.28	4.03	3.35	4.30	3.49	4.40	3.56	4.61	3.71	4.74	3.70	4.88	3.69	5.17	3.65	5.40	3.58
40.0	2.65	2.23	2.75	2.28	2.93	2.38	3.00	2.43	3.14	2.53	3.23	2.52	3.32	2.52	3.52	2.49	3.68	2.44
42.0	2.43	2.04	2.51	2.09	2.68	2.18	2.75	2.22	2.87	2.31	2.96	2.31	3.04	2.30	3.22	2.28	3.37	2.23
43.0	2.32	1.95	2.40	1.99	2.56	2.08	2.62	2.12	2.74	2.21	2.82	2.20	2.90	2.20	3.07	2.17	3.22	2.13
45.0	1.38	1.16	1.43	1.19	1.52	1.23	1.56	1.26	1.63	1.31	1.68	1.31	1.73	1.31	1.83	1.29	1.91	1.27
46.0	1.27	1.07	1.31	1.09	1.40	1.13	1.43	1.16	1.50	1.21	1.54	1.20	1.59	1.20	1.68	1.19	1.76	1.16

2-3-6. Fan static characteristic

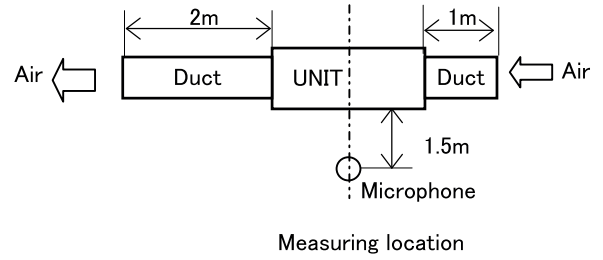
RAV-HM561BTP-E / TR

Standard air volume: 800 m³/h



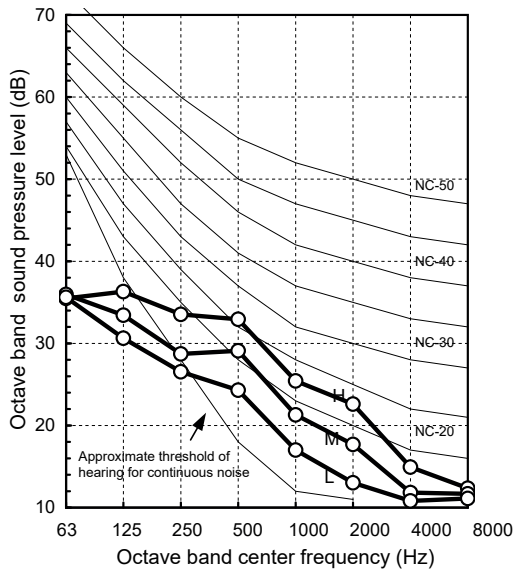
2-3-7. Sound Characteristics (NC curve)

RAV-HM561BTP-E / TR



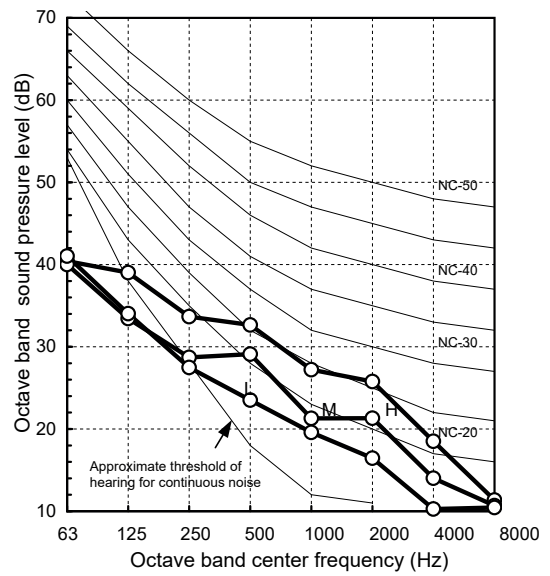
External static pressure 30Pa

FAN tap	H	M	L
Sound pressure level (dB(A))	33	29	25



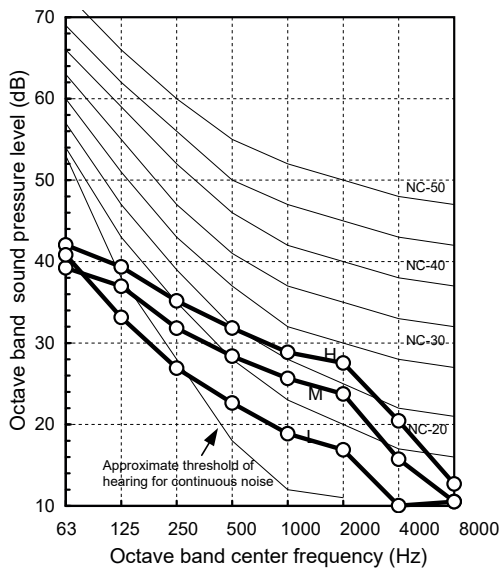
External static pressure 40Pa

FAN tap	H	M	L
Sound pressure level (dB(A))	34	30	26



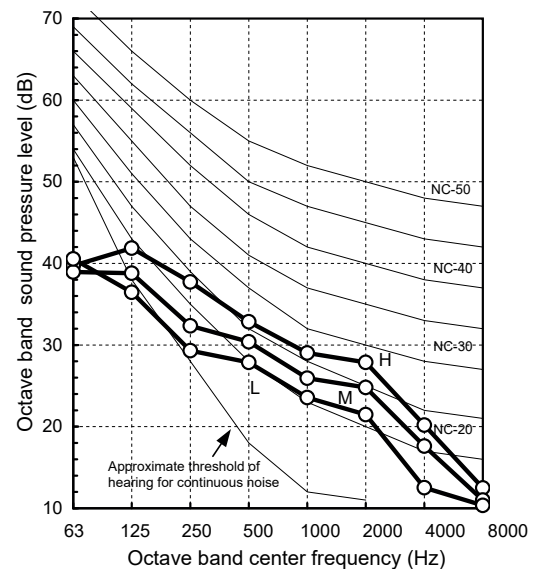
External static pressure 50Pa

FAN tap	H	M	L
Sound pressure level (dB(A))	35	31	26



External static pressure 65Pa

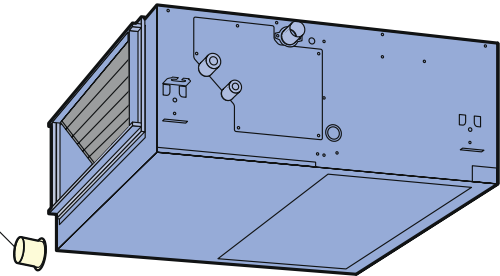
FAN tap	H	M	L
Sound pressure level (dB(A))	36	32	29



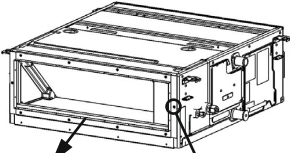
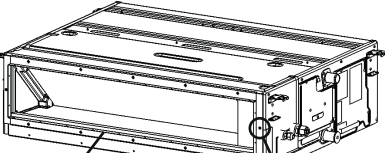
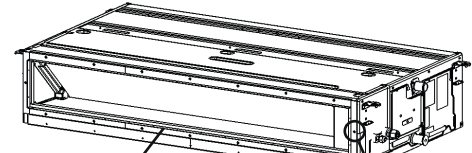
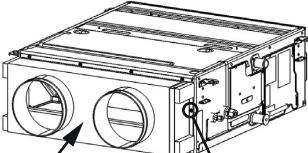
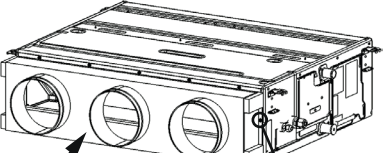
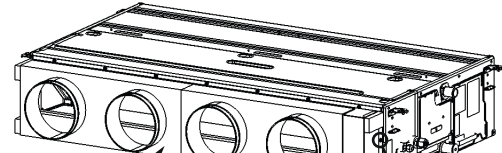
Accessories

Option Parts	Model Name	Applicable FCU
Auxiliary fresh air flange	TCB-FF151US-E	For Duct type

Auxiliary fresh air flange
TCB-FF151US-E



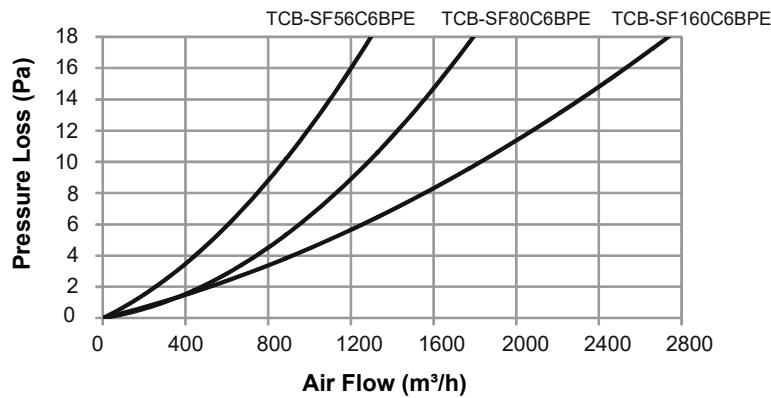
Appendix

Zoning duct flange TCB-SF56C6BPE	Zoning duct flange TCB-SF80C6BPE	Zoning duct flange TCB-SF160C6BPE
 <p>Remove the square flange for duct</p> <p>Remove the screws. (10 parts)</p>	 <p>Remove the square flange for duct</p> <p>Remove the screws. (12 parts)</p>	 <p>Remove the square flange for duct</p> <p>Remove the screws. (16 parts)</p>
 <p>Attach the zoning duct flange</p> <p>Screws (10 parts)</p>	 <p>Attach the zoning duct flange</p> <p>Screws (12 parts)</p>	 <p>Attach the zoning duct flange</p> <p>Screws (12 parts)</p>

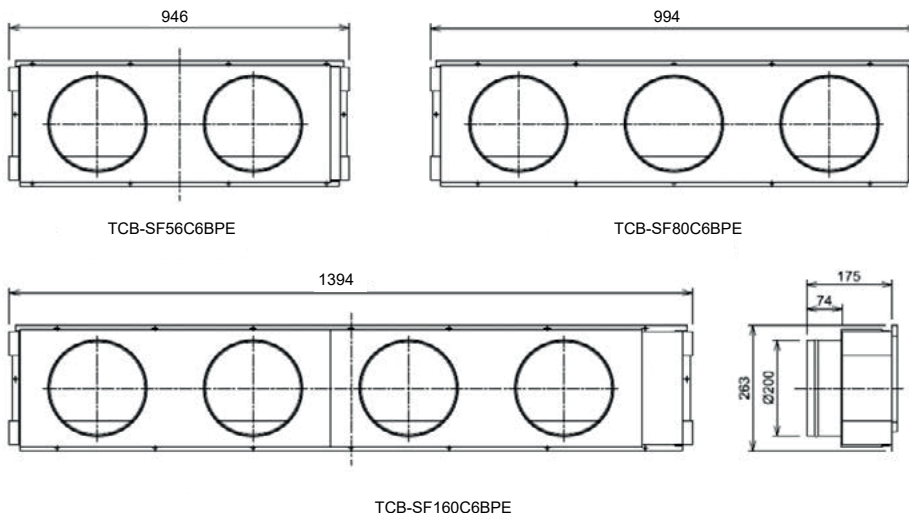
Remove screws on square flange for duct of indoor unit and attach the zoning duct flange with the screw.

External pressure loss characteristic

When you use these "Zoning duct flange" with Concealed Duct Type and High Static Pressure type, pressure-loss characteristics depends on Air Flow.



External dimension



Auxiliary fresh air flange

Arrange a flexible duct (locally procured).
It is necessary to install auxiliary fresh air flange.

INSTALLATION PROCEDURE

- 1 Using the knockout of the indoor unit, as a marker, cut off the steel plate with cutting pliers or cutter.
- 2 Install the auxiliary fresh air flange to the indoor unit with attached 4 fixing screws.

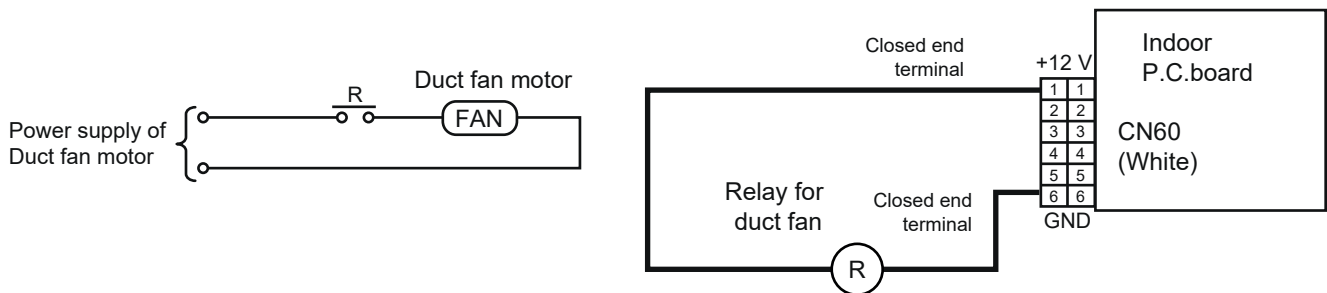
CAUTION

The fresh air shall be conditioned by heat reclaim ventilator or similar.
Emsure the fresh air volume is determined so that mixed suction air and fresh air maintain the operating temperature.
Recommended conditioned air temperature is 12°C to 30°C.
however, make a fresh air volume within 10% of standard.

Provide an air filter in fresh air duct. (Fresh air doesn't pass through the filter of indoor unit.)
Besure to insulate fresh air duct.
Please wire for inter-lock with fan of indoor unit by using CN60.

Inter - lock circuit

1. Connect the driving relay of the duct fan (DC 12 V) between 1 and 6 on the indoor P.C.board.
Part indicated with a bold line is the connecting circuit.
After installation, implement a test run to check that the duct fan of the indoor unit start / stop simultaneously.
(Implement the test run following to the installation manual of the indoor unit.)



2-4. Under Ceiling Type

2-4-1. Specifications

2-4-2. Dimension

2-4-3. Wiring Diagrams

2-4-4. Sensible Capacity Table

2-4-5. Part Load Performance

2-4-6. Air Throw Distance Chart

2-4-7. Sound Characteristics (NC Curve)

2-4-1. Specifications

Under ceiling type

Model	Indoor unit		RAV-HM	RAV-HM401CTP-E	RAV-HM561CTP-E / TR
	Outdoor unit			RAV-GM402ATP-E	RAV-GM562ATP-E / TR
Cooling Capacity			(kW)	3.6	5.0
Heating Capacity			(kW)	4.0	5.3
Power Supply				1 phase 220V-240V, 50Hz	
Electrical Characteristics	Cooling	Running current	(A)	4.10 - 3.75	7.54 - 6.92
		Power consumption	(kW)	0.830	1.610
		Power factor	(%)	92	97
		EER		4.34	3.11
		SEER		7.20	6.00
	Energy star rating		A++	A+	
	Heating	Running current	(A)	3.82 - 3.50	6.37 - 5.87
		Power consumption	(kW)	0.780	1.360
		Power factor	(%)	93	97
		COP		5.13	3.90
		SCOP		5.10	4.32
Energy star rating		A+++	A+		
Maximum current			(A)	9.2	15.5
Appearance	Main unit			Zinc hot dipping steel plate	
Outer dimension	Main unit	Height	(mm)	235	235
		Width	(mm)	950	950
		Depth	(mm)	690	690
Total weight	Main unit		(kg)	23	23
Heat exchanger				Finned tube	
Fan unit	Fan			Centrifugal fan (multi blade)	
	Standard air flow	H/M/L	(m ³ /min)	15.0/12.0/9.0	15.0/12.0/9.0
	Motor			(W)	94
Air filter				Standard filter attached (long life filter)	
Controller (packed with indoor unit)				-	
Controller (sold separately)				RBC-ASCU11-E, RBC-AMT32E, RBC-AS21E2, RBC-AMS41E, RBC-AMS51E	
Sound pressure level	H/M/L	(dB-A)		37/35/28	37/35/28
Sound power level	H/M/L	(dB-A)		52/50/43	52/50/43
Connecting pipe	Gas side		(mm)	12.7	12.7
	Liquid side		(mm)	6.4	6.4
	Drain port		(mm)		VP20

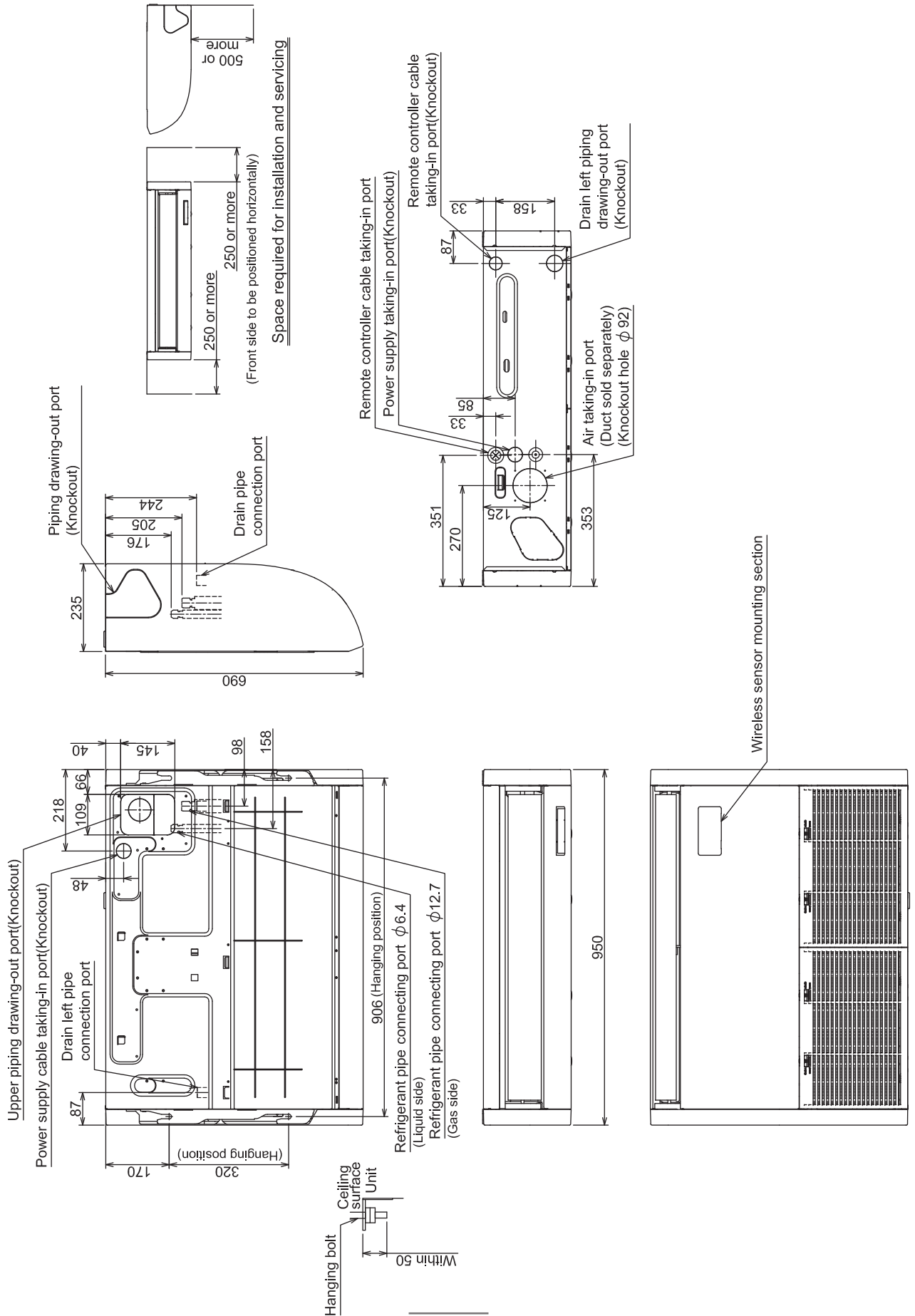
Note : Rated conditions Cooling : Indoor air temperature 27 °C DB / 19 °C WB, Outdoor air temperature 35 °C DB

Heating : Indoor air temperature 20 °C DB, Outdoor air temperature 7 °C DB / 6 °C WB

2-4-2. Dimension

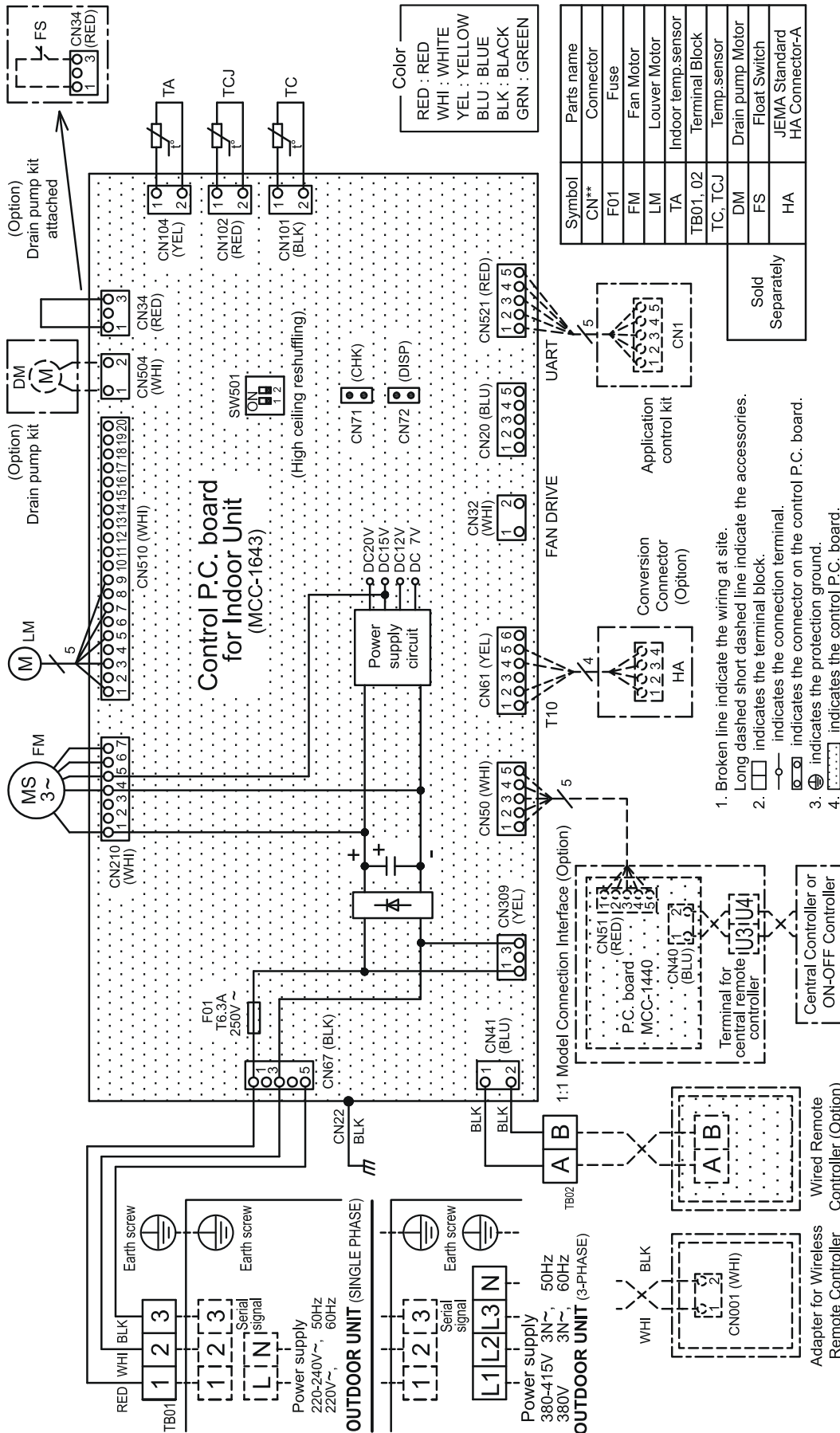
RAV-HM401CTP-E

RAV-HM561CTP-E / TR



2-4-3. Wiring diagrams

RAV-HM561CTP-E / TR



2-4-4. Sensible Capacity Table

Product models : RAV-HM401CTP-E ; RAV-GM402ATP-E

Standard Condition

Indoor	27.0 °C DB / 19.0 °C WB
Outdoor	35.0 °C DB / 24.0 °C WB

Specification of product at standard condition.

Total Cooling Capacity (TC)	3.60 kW
Sensible Heat Capacity (SHC)	2.90 kW

Outdoor air temp. °C DB	Indoor Air temperature																	
	14.0 °C WB		15.0 °C WB		16.0 °C WB		17.0 °C WB		18.0 °C WB		19.0 °C WB		20.0 °C WB		22.0 °C WB		24.0 °C WB	
	20.0 °C DB		21.0 °C DB		23.0 °C DB		24.0 °C DB		26.0 °C DB		27.0 °C DB		28.0 °C DB		30.0 °C DB		32.0 °C DB	
	TC	SHC	TC	SHC	TC	SHC	TC	SHC	TC	SHC	TC	SHC	TC	SHC	TC	SHC	TC	SHC
10.0	3.91	3.38	4.04	3.46	4.31	3.61	4.42	3.68	4.62	3.84	4.76	3.83	4.89	3.83	5.18	3.80	5.42	3.72
12.0	3.83	3.32	3.96	3.39	4.23	3.54	4.33	3.61	4.53	3.76	4.66	3.76	4.80	3.75	5.08	3.72	5.31	3.65
14.0	3.75	3.25	3.88	3.33	4.15	3.47	4.24	3.54	4.44	3.69	4.57	3.68	4.70	3.68	4.98	3.65	5.21	3.58
16.0	3.68	3.19	3.81	3.26	4.06	3.40	4.16	3.47	4.35	3.61	4.48	3.61	4.61	3.61	4.88	3.57	5.10	3.51
18.0	3.60	3.12	3.73	3.19	3.98	3.33	4.07	3.40	4.26	3.54	4.39	3.53	4.51	3.53	4.78	3.50	5.00	3.43
20.0	3.53	3.06	3.65	3.13	3.89	3.26	3.99	3.33	4.17	3.46	4.29	3.46	4.42	3.46	4.68	3.43	4.89	3.36
21.0	3.49	3.02	3.61	3.09	3.85	3.22	3.94	3.29	4.13	3.43	4.25	3.42	4.37	3.42	4.63	3.39	4.84	3.33
23.0	3.41	2.96	3.53	3.02	3.77	3.15	3.86	3.22	4.04	3.35	4.15	3.35	4.27	3.35	4.53	3.32	4.73	3.25
25.0	3.34	2.89	3.45	2.96	3.68	3.08	3.77	3.15	3.95	3.28	4.06	3.27	4.18	3.27	4.42	3.24	4.63	3.18
27.0	3.26	2.82	3.37	2.89	3.60	3.01	3.69	3.08	3.86	3.20	3.97	3.20	4.08	3.20	4.32	3.17	4.52	3.11
29.0	3.18	2.76	3.30	2.82	3.52	2.94	3.60	3.00	3.77	3.13	3.88	3.12	3.99	3.12	4.22	3.09	4.42	3.04
31.0	3.11	2.69	3.22	2.76	3.43	2.87	3.51	2.93	3.68	3.05	3.78	3.05	3.89	3.05	4.12	3.02	4.31	2.96
33.0	3.03	2.63	3.14	2.69	3.35	2.80	3.43	2.86	3.59	2.98	3.69	2.97	3.80	2.97	4.02	2.95	4.21	2.89
35.0	2.96	2.56	3.06	2.62	3.27	2.73	3.34	2.79	3.50	2.90	3.60	2.90	3.70	2.90	3.92	2.87	4.10	2.82
37.0	2.88	2.50	2.98	2.55	3.18	2.66	3.26	2.72	3.41	2.83	3.51	2.83	3.61	2.82	3.82	2.80	4.00	2.75
39.0	2.81	2.43	2.90	2.49	3.10	2.59	3.17	2.65	3.32	2.76	3.42	2.75	3.51	2.75	3.72	2.73	3.89	2.67
40.0	2.77	2.40	2.86	2.45	3.06	2.56	3.13	2.61	3.27	2.72	3.37	2.71	3.47	2.71	3.67	2.69	3.84	2.64
42.0	2.69	2.33	2.79	2.39	2.97	2.49	3.04	2.54	3.18	2.64	3.28	2.64	3.37	2.64	3.57	2.62	3.73	2.57
43.0	2.65	2.30	2.75	2.35	2.93	2.45	3.00	2.50	3.14	2.61	3.23	2.60	3.32	2.60	3.52	2.58	3.68	2.53
45.0	2.58	2.23	2.67	2.28	2.85	2.38	2.91	2.43	3.05	2.53	3.14	2.53	3.23	2.53	3.42	2.50	3.58	2.46
46.0	2.54	2.20	2.63	2.25	2.80	2.35	2.87	2.40	3.00	2.49	3.09	2.49	3.18	2.49	3.37	2.47	3.52	2.42

Product models : RAV-HM561CTP-E / TR ; RAV-GM562ATP-E / TR

Standard Condition

Indoor	27.0 °C DB / 19.0 °C WB
Outdoor	35.0 °C DB / 24.0 °C WB

Specification of product at standard condition.

Total Cooling Capacity (TC)	5.00 kW
Sensible Heat Capacity (SHC)	3.80 kW

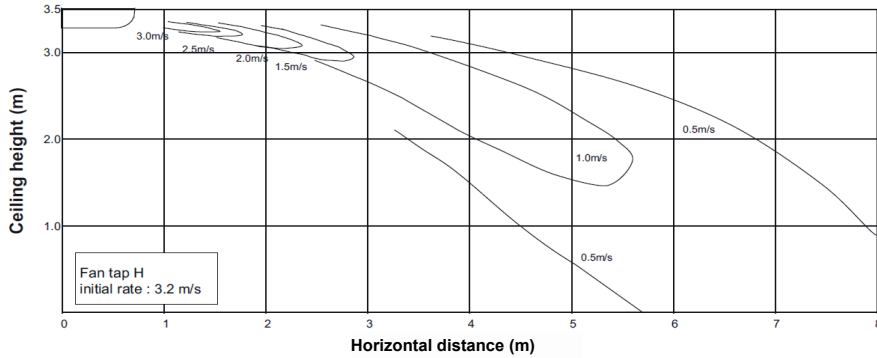
Outdoor air temp. °C DB	Indoor Air temperature																	
	14.0 °C WB		15.0 °C WB		16.0 °C WB		17.0 °C WB		18.0 °C WB		19.0 °C WB		20.0 °C WB		22.0 °C WB		24.0 °C WB	
	20.0 °C DB		21.0 °C DB		23.0 °C DB		24.0 °C DB		26.0 °C DB		27.0 °C DB		28.0 °C DB		30.0 °C DB		32.0 °C DB	
	TC	SHC	TC	SHC	TC	SHC	TC	SHC	TC	SHC	TC	SHC	TC	SHC	TC	SHC	TC	SHC
10.0	5.42	4.45	5.61	4.55	5.99	4.74	6.13	4.84	6.42	5.04	6.60	5.02	6.79	5.01	7.19	4.94	7.52	4.83
12.0	5.32	4.37	5.50	4.46	5.87	4.65	6.01	4.74	6.29	4.94	6.48	4.92	6.66	4.91	7.05	4.85	7.38	4.74
14.0	5.21	4.28	5.40	4.37	5.76	4.55	5.89	4.65	6.17	4.84	6.35	4.82	6.53	4.81	6.91	4.75	7.23	4.64
16.0	5.11	4.19	5.29	4.29	5.64	4.46	5.78	4.56	6.04	4.74	6.22	4.73	6.40	4.72	6.77	4.66	7.09	4.55
18.0	5.00	4.11	5.18	4.20	5.52	4.37	5.66	4.46	5.92	4.64	6.09	4.63	6.27	4.62	6.63	4.56	6.94	4.45
20.0	4.90	4.02	5.07	4.11	5.41	4.28	5.54	4.37	5.79	4.55	5.96	4.53	6.13	4.52	6.49	4.46	6.79	4.36
21.0	4.84	3.98	5.01	4.07	5.35	4.23	5.48	4.32	5.73	4.50	5.90	4.48	6.07	4.47	6.43	4.42	6.72	4.31
23.0	4.74	3.89	4.90	3.98	5.23	4.14	5.36	4.23	5.60	4.40	5.77	4.39	5.94	4.38	6.29	4.32	6.57	4.22
25.0	4.63	3.80	4.80	3.89	5.12	4.05	5.24	4.13	5.48	4.30	5.64	4.29	5.80	4.28	6.15	4.22	6.43	4.13
27.0	4.53	3.72	4.69	3.80	5.00	3.96	5.12	4.04	5.36	4.20	5.51	4.19	5.67	4.18	6.01	4.13	6.28	4.03
29.0	4.42	3.63	4.58	3.71	4.88	3.86	5.00	3.95	5.23	4.11	5.39	4.09	5.54	4.08	5.87	4.03	6.14	3.94
31.0	4.32	3.54	4.47	3.62	4.77	3.77	4.88	3.85	5.11	4.01	5.26	4.00	5.41	3.99	5.73	3.93	5.99	3.84
33.0	4.21	3.46	4.36	3.53	4.65	3.68	4.76	3.76	4.98	3.91	5.13	3.90	5.28	3.89	5.59	3.84	5.84	3.75
35.0	4.11	3.37	4.25	3.45	4.54	3.59	4.64	3.66	4.86	3.81	5.00	3.80	5.14	3.79	5.45	3.74	5.70	3.66
37.0	4.00	3.28	4.14	3.36	4.42	3.50	4.52	3.57	4.73	3.71	4.87	3.70	5.01	3.69	5.31	3.65	5.55	3.56
39.0	3.90	3.20	4.03	3.27	4.30	3.40	4.40	3.48	4.61	3.62	4.74	3.60	4.88	3.60	5.17	3.55	5.40	3.47
40.0	3.41	2.80	3.53	2.87	3.77	2.98	3.86	3.05	4.04	3.17	4.16	3.16	4.28	3.15	4.53	3.11	4.74	3.04
42.0	3.24	2.66	3.36	2.72	3.58	2.83	3.67	2.89	3.83	3.01	3.95	3.00	4.06	2.99	4.30	2.96	4.50	2.89
43.0	3.16	2.59	3.27	2.65	3.49	2.76	3.57	2.82	3.73	2.93	3.84	2.92	3.95	2.91	4.19	2.88	4.38	2.81
45.0	2.52	2.07	2.61	2.11	2.78	2.20	2.85	2.25	2.98	2.34	3.07	2.33	3.16	2.33	3.34	2.30	3.50	2.24
46.0	2.43	2.00	2.52	2.04	2.69	2.13	2.75	2.17	2.88	2.26	2.96	2.25	3.05	2.25	3.23	2.22	3.38	2.17

2-4-6. Air Throw Distance Chart

RAV-HM401CTP-E

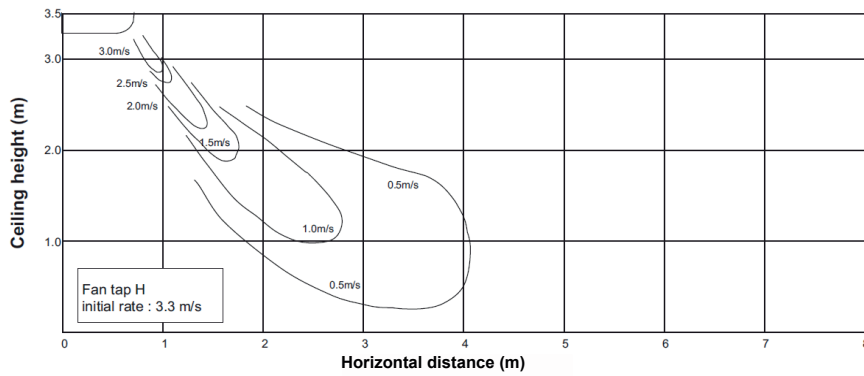
Cooling

(Louver position : F2)



Heating

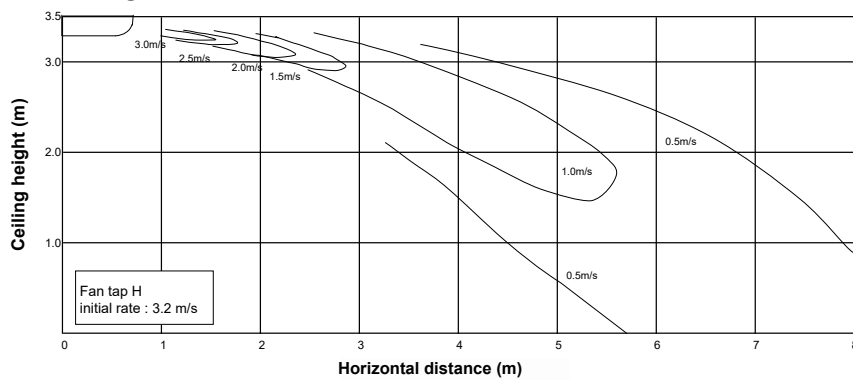
(Louver position : F5)



RAV-HM561CTP-E / TR

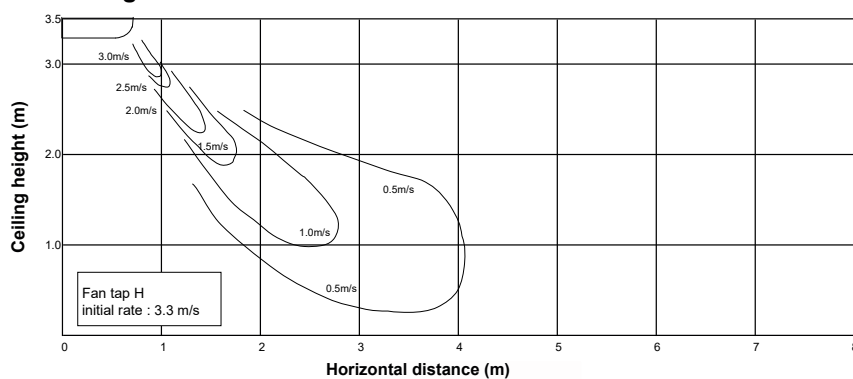
Cooling

(Louver position : F2)



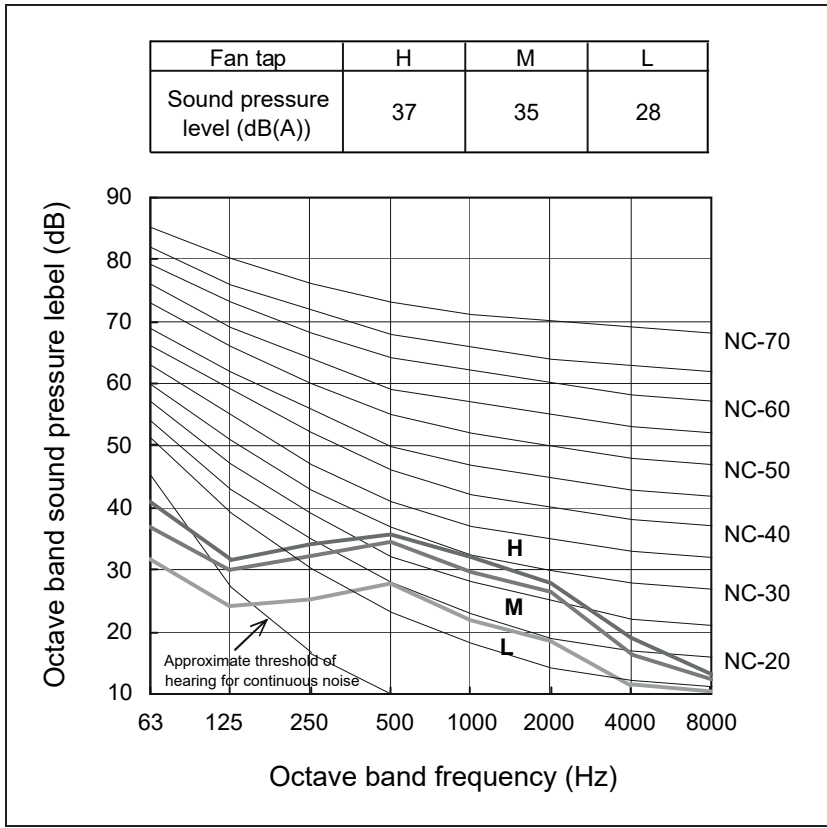
Heating

(Louver position : F5)

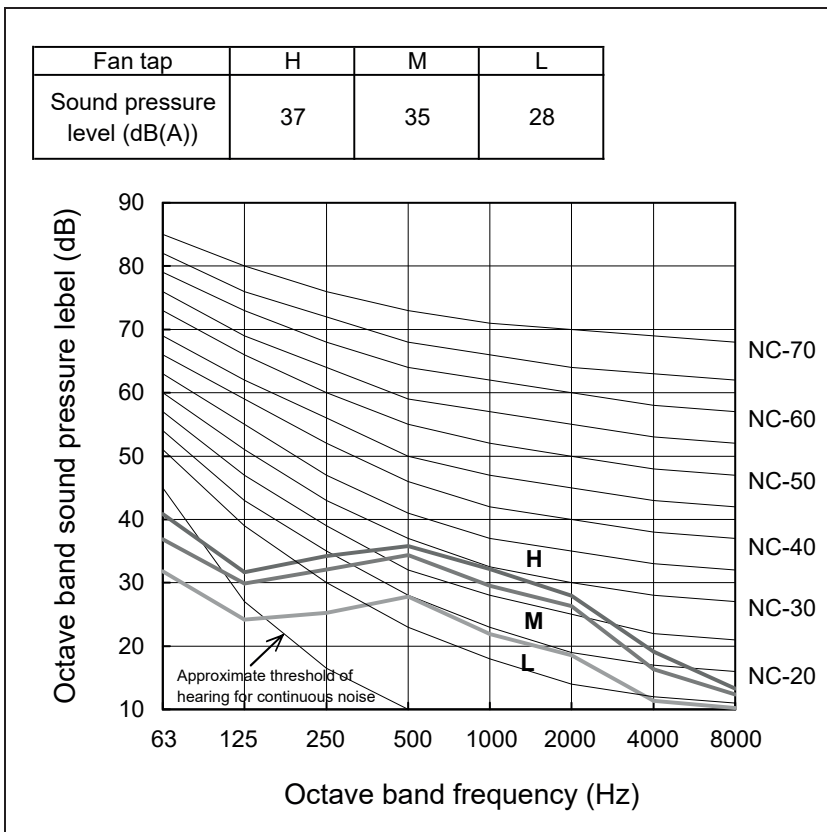


2-4-7. Sound Characteristics (NC curve)

RAV-HM401CTP-E



RAV-HM561CTP-E / TR



2-5. High Wall Type

2-5-1. Specifications

2-5-2. Dimension

2-5-3. Wiring Diagrams

2-5-4. Sensible Capacity Table

2-5-5. Part Load Performance

2-5-6. Air Throw Distance Chart

2-5-7. Sound Characteristics (NC Curve)

2-5-1. Specifications

High wall type

Model	Indoor unit		RAV-HM301KRTP-E	RAV-HM401KRTP-E	RAV-HM561KRTP-E / TR
	Outdoor unit		RAV-GM302ATP-E	RAV-GM402ATP-E	RAV-GM562ATP-E / TR
Cooling capacity	(kW)		2.5	3.6	5.0
Heating capacity	(kW)		3.4	4.0	5.3
Power supply	1 phase 230V (220-240V) 50 Hz				
Electrical Characteristic	Cooling	Running current (A)	3.07 - 2.83	5.60 - 5.10	7.78 - 7.13
		Power consumption (kW)	0.61	1.13	1.66
		Power factor (%)	90	92	97
		EER	4.10	3.19	3.01
		SEER	7.00	6.70	6.69
		Energy efficiency class	A++	A++	A++
	Heating	Running current (A)	4.17 - 3.80	5.50 - 5.00	7.26 - 6.66
		Power consumption (kW)	0.85	1.12	1.55
		Power factor (%)	93	93	97
		COP	4.00	3.57	3.42
		SCOP	4.10	4.22	4.00
		Energy efficiency class	A+	A+	A+
Maximum Current (A)			7.90	9.20	15.50
Appearance	Main unit		Moon white		
Outer dimension	Main unit	Height (mm)	293	293	320
		Width (mm)	798	798	1050
		Depth (mm)	230	230	250
Total weight	Main unit (kg)		10	10	14
Heat exchanger	Finned tube				
Fan unit	Fan		Cross flow fan		
	Standard air flow	H/M/L (m ³ /min)	11.1 / 9.0 / 7.5	11.7 / 9.7 / 7.5	16.0 / 13.8 / 11.3
	Motor	(W)	30	30	30
Air filter	Standard filter attached				
Controller (packed with indoor unit)	WH-TA08NE				
Controller (sold separately)	RBC-ASCU11-E, RBC-AMT32E, RBC-AS21E2, RBC-AMS41E, RBC-AMS55E				
Sound pressure level	H/M/L	(dB A)	40 / 34 / 29	41 / 36 / 30	42 / 39 / 35
Sound power level	H/M/L	(dB A)	55 / 49 / 44	56 / 51 / 45	57 / 54 / 50
Connecting pipe	Gas side	(mm)	9.50	12.40	12.70
	Liquid side	(mm)	6.40	6.40	6.40
	Drain port	(mm)	VP16		

*1 : The cooling capacities and electrical characteristics are measured under the conditions specified by JIS B 8615 based on the reference piping. The reference piping consists of 5 m of main piping and 2.5 m of branch piping connected with 0 meter height.

*2 : The sound level are measured in an anechoic chamber in accordance with JIS B 8616. Normally, the values measured in the actual operating environment become larger than the indicated values due to the effects of external sound.

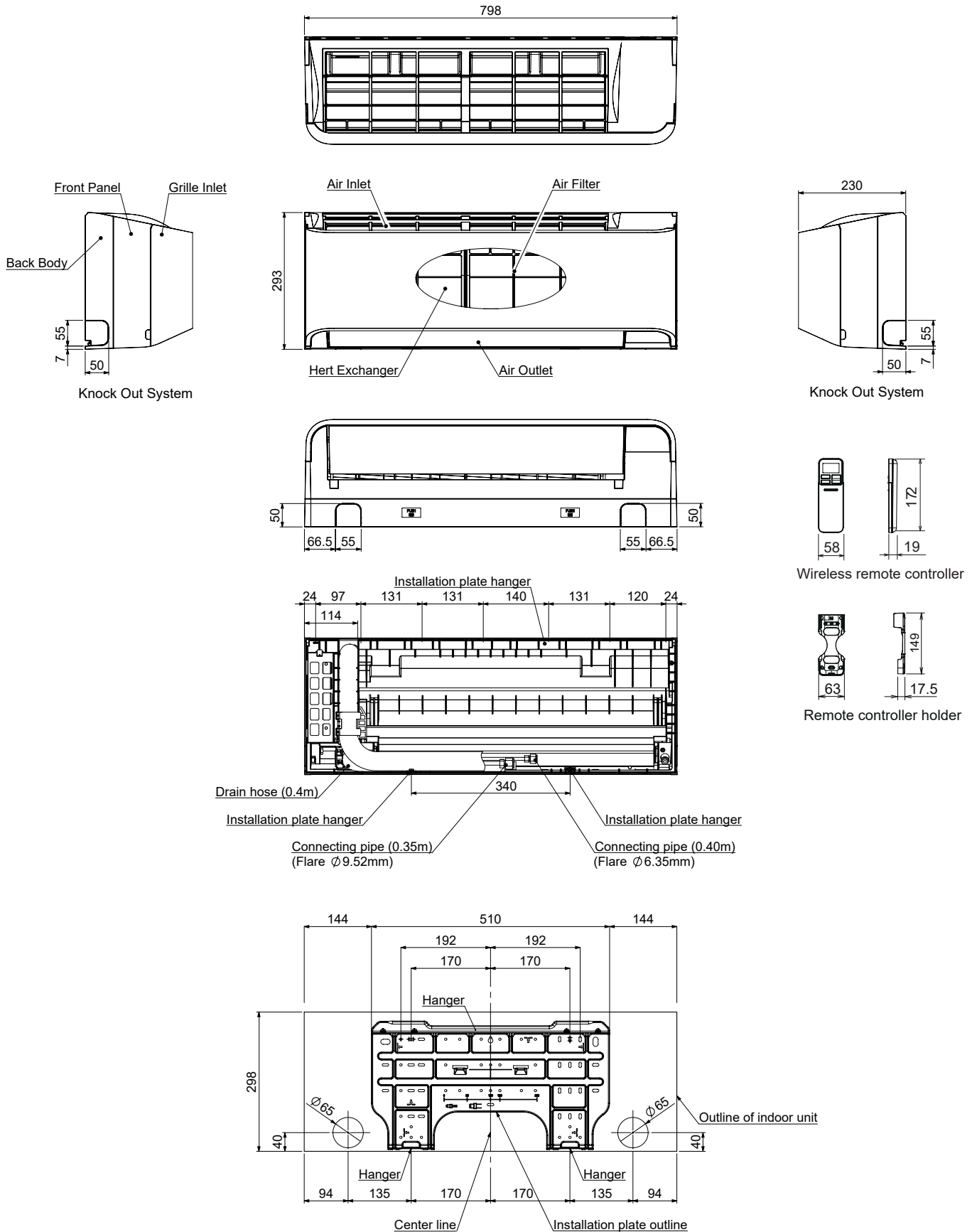
Note :

Rated conditions Cooling : Indoor air temperature 27°C DB/19°C WB, Outdoor air temperature 35°C DB

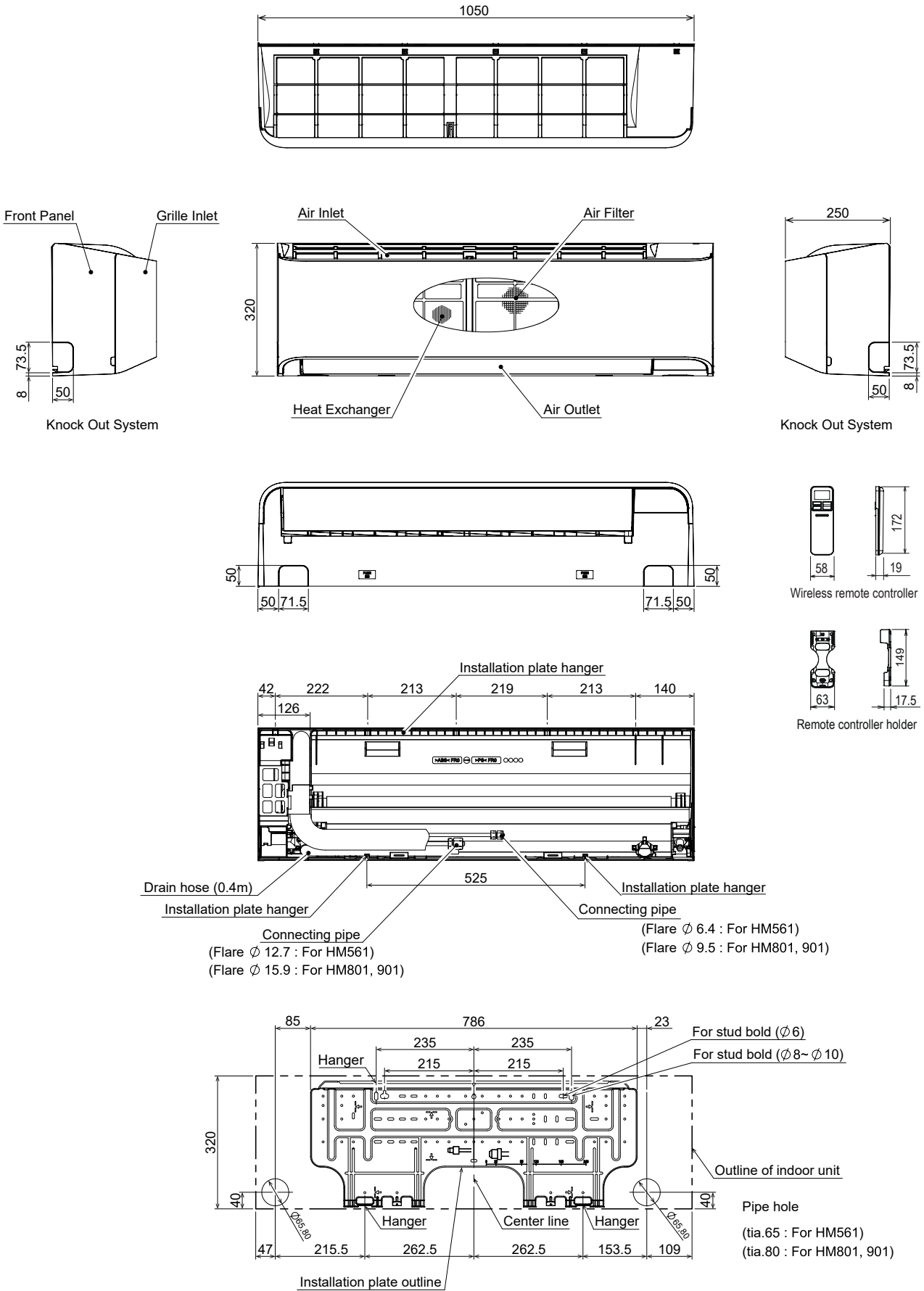
Heating : Indoor air temperature 20°C DB, Outdoor air temperature 7°C DB/6°C WB

2-5-2. Dimension

RAV-HM*_1KRTP-E (*30 / 40)

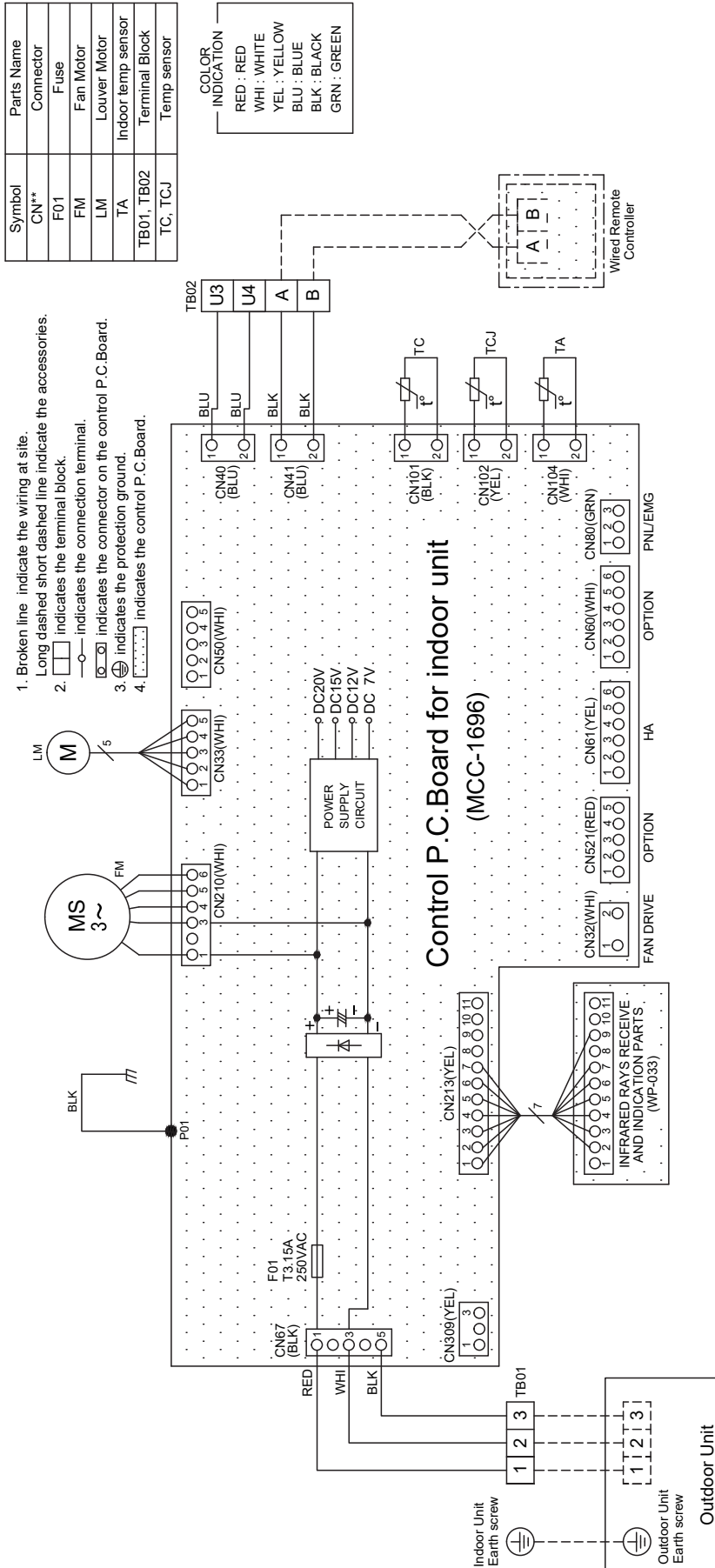


RAV-HM561KRTP-E / TR



2-5-3. Wiring diagrams

RAV-HM*_1KRTP-E (*30 / 40 / 56)



2-5-4. Sensible Capacity Table

Product models : RAV-HM301KRTP-E ; RAV-GM302ATP-E

Standard Condition

Indoor	27.0 °C DB / 19.0 °C WB
Outdoor	35.0 °C DB / 24.0 °C WB

Specification of product at standard condition.

Total Cooling Capacity (TC)	2.50 kW
Sensible Heat Capacity (SHC)	2.00 kW

Outdoor air temp. °C DB	Indoor Air temperature																	
	14.0 °C WB		15.0 °C WB		16.0 °C WB		17.0 °C WB		18.0 °C WB		19.0 °C WB		20.0 °C WB		22.0 °C WB		24.0 °C WB	
	20.0 °C DB		21.0 °C DB		23.0 °C DB		24.0 °C DB		26.0 °C DB		27.0 °C DB		28.0 °C DB		30.0 °C DB		32.0 °C DB	
	TC	SHC	TC	SHC	TC	SHC	TC	SHC	TC	SHC	TC	SHC	TC	SHC	TC	SHC	TC	SHC
10.0	2.71	2.33	2.81	2.39	3.00	2.49	3.07	2.54	3.21	2.65	3.30	2.64	3.40	2.64	3.60	2.62	3.76	2.57
12.0	2.66	2.29	2.75	2.34	2.94	2.44	3.01	2.49	3.15	2.59	3.24	2.59	3.33	2.59	3.53	2.56	3.69	2.52
14.0	2.61	2.24	2.70	2.30	2.88	2.39	2.95	2.44	3.08	2.54	3.17	2.54	3.26	2.54	3.46	2.51	3.62	2.47
16.0	2.55	2.20	2.64	2.25	2.82	2.34	2.89	2.39	3.02	2.49	3.11	2.49	3.20	2.49	3.39	2.46	3.54	2.42
18.0	2.50	2.15	2.59	2.20	2.76	2.30	2.83	2.34	2.96	2.44	3.05	2.44	3.13	2.43	3.32	2.41	3.47	2.37
20.0	2.45	2.11	2.53	2.16	2.70	2.25	2.77	2.29	2.90	2.39	2.98	2.39	3.07	2.38	3.25	2.36	3.40	2.32
21.0	2.42	2.09	2.51	2.13	2.68	2.22	2.74	2.27	2.86	2.36	2.95	2.36	3.03	2.36	3.21	2.34	3.36	2.29
23.0	2.37	2.04	2.45	2.09	2.62	2.17	2.68	2.22	2.80	2.31	2.89	2.31	2.97	2.31	3.14	2.29	3.29	2.24
25.0	2.32	1.99	2.40	2.04	2.56	2.13	2.62	2.17	2.74	2.26	2.82	2.26	2.90	2.26	3.07	2.23	3.21	2.19
27.0	2.26	1.95	2.34	1.99	2.50	2.08	2.56	2.12	2.68	2.21	2.76	2.21	2.84	2.20	3.00	2.18	3.14	2.14
29.0	2.21	1.90	2.29	1.95	2.44	2.03	2.50	2.07	2.62	2.16	2.69	2.15	2.77	2.15	2.93	2.13	3.07	2.09
31.0	2.16	1.86	2.23	1.90	2.38	1.98	2.44	2.02	2.55	2.11	2.63	2.10	2.70	2.10	2.86	2.08	2.99	2.04
33.0	2.11	1.81	2.18	1.85	2.33	1.93	2.38	1.97	2.49	2.05	2.56	2.05	2.64	2.05	2.79	2.03	2.92	1.99
35.0	2.05	1.77	2.12	1.81	2.27	1.88	2.32	1.92	2.43	2.00	2.50	2.00	2.57	2.00	2.72	1.98	2.85	1.94
37.0	2.00	1.72	2.07	1.76	2.21	1.84	2.26	1.88	2.37	1.95	2.44	1.95	2.51	1.95	2.65	1.93	2.78	1.89
39.0	1.95	1.68	2.02	1.72	2.15	1.79	2.20	1.83	2.30	1.90	2.37	1.90	2.44	1.90	2.58	1.88	2.70	1.84
40.0	1.92	1.65	1.99	1.69	2.12	1.76	2.17	1.80	2.27	1.87	2.34	1.87	2.41	1.87	2.55	1.85	2.67	1.82
42.0	1.87	1.61	1.93	1.65	2.06	1.72	2.11	1.75	2.21	1.82	2.28	1.82	2.34	1.82	2.48	1.80	2.59	1.77
43.0	1.84	1.59	1.91	1.62	2.03	1.69	2.08	1.73	2.18	1.80	2.24	1.79	2.31	1.79	2.44	1.78	2.56	1.74
45.0	1.79	1.54	1.85	1.58	1.98	1.64	2.02	1.68	2.12	1.75	2.18	1.74	2.24	1.74	2.37	1.73	2.48	1.69
46.0	1.76	1.52	1.82	1.55	1.95	1.62	1.99	1.65	2.09	1.72	2.15	1.72	2.21	1.72	2.34	1.70	2.45	1.67

Product models : RAV-HM401KRTP-E ; RAV-GM402ATP-E

Standard Condition

Indoor	27.0 °C DB / 19.0 °C WB
Outdoor	35.0 °C DB / 24.0 °C WB

Specification of product at standard condition.

Total Cooling Capacity (TC)	3.60 kW
Sensible Heat Capacity (SHC)	2.70 kW

Outdoor air temp. °C DB	Indoor Air temperature																	
	14.0 °C WB		15.0 °C WB		16.0 °C WB		17.0 °C WB		18.0 °C WB		19.0 °C WB		20.0 °C WB		22.0 °C WB		24.0 °C WB	
	20.0 °C DB		21.0 °C DB		23.0 °C DB		24.0 °C DB		26.0 °C DB		27.0 °C DB		28.0 °C DB		30.0 °C DB		32.0 °C DB	
	TC	SHC	TC	SHC	TC	SHC	TC	SHC	TC	SHC	TC	SHC	TC	SHC	TC	SHC	TC	SHC
10.0	3.91	3.17	4.04	3.24	4.31	3.37	4.42	3.44	4.62	3.58	4.76	3.57	4.89	3.56	5.18	3.51	5.42	3.42
12.0	3.83	3.11	3.96	3.17	4.23	3.30	4.33	3.37	4.53	3.51	4.66	3.50	4.80	3.49	5.08	3.44	5.31	3.36
14.0	3.75	3.04	3.88	3.11	4.15	3.24	4.24	3.31	4.44	3.44	4.57	3.43	4.70	3.42	4.98	3.37	5.21	3.29
16.0	3.68	2.98	3.81	3.05	4.06	3.17	4.16	3.24	4.35	3.37	4.48	3.36	4.61	3.35	4.88	3.30	5.10	3.22
18.0	3.60	2.92	3.73	2.99	3.98	3.11	4.07	3.17	4.26	3.30	4.39	3.29	4.51	3.28	4.78	3.23	5.00	3.16
20.0	3.53	2.86	3.65	2.92	3.89	3.04	3.99	3.11	4.17	3.23	4.29	3.22	4.42	3.21	4.68	3.17	4.89	3.09
21.0	3.49	2.83	3.61	2.89	3.85	3.01	3.94	3.07	4.13	3.20	4.25	3.19	4.37	3.18	4.63	3.13	4.84	3.06
23.0	3.41	2.77	3.53	2.83	3.77	2.94	3.86	3.01	4.04	3.13	4.15	3.12	4.27	3.11	4.53	3.06	4.73	2.99
25.0	3.34	2.71	3.45	2.77	3.68	2.88	3.77	2.94	3.95	3.06	4.06	3.05	4.18	3.04	4.42	3.00	4.63	2.92
27.0	3.26	2.64	3.37	2.70	3.60	2.81	3.69	2.87	3.86	2.99	3.97	2.98	4.08	2.97	4.32	2.93	4.52	2.86
29.0	3.18	2.58	3.30	2.64	3.52	2.75	3.60	2.80	3.77	2.92	3.88	2.91	3.99	2.90	4.22	2.86	4.42	2.79
31.0	3.11	2.52	3.22	2.58	3.43	2.68	3.51	2.74	3.68	2.85	3.78	2.84	3.89	2.83	4.12	2.79	4.31	2.72
33.0	3.03	2.46	3.14	2.51	3.35	2.62	3.43	2.67	3.59	2.78	3.69	2.77	3.80	2.76	4.02	2.72	4.21	2.66
35.0	2.96	2.40	3.06	2.45	3.27	2.55	3.34	2.60	3.50	2.71	3.60	2.70	3.70	2.69	3.92	2.66	4.10	2.59
37.0	2.88	2.34	2.98	2.39	3.18	2.48	3.26	2.54	3.41	2.64	3.51	2.63	3.61	2.62	3.82	2.59	4.00	2.53
39.0	2.81	2.27	2.90	2.32	3.10	2.42	3.17	2.47	3.32	2.57	3.42	2.56	3.51	2.55	3.72	2.52	3.89	2.46
40.0	2.77	2.24	2.86	2.29	3.06	2.39	3.13	2.44	3.27	2.54	3.37	2.53	3.47	2.52	3.67	2.49	3.84	2.43
42.0	2.69	2.18	2.79	2.23	2.97	2.32	3.04	2.37	3.18	2.47	3.28	2.46	3.37	2.45	3.57	2.42	3.73	2.36
43.0	2.65	2.15	2.75	2.20	2.93	2.29	3.00	2.34	3.14	2.43	3.23	2.42	3.32	2.42	3.52	2.38	3.68	2.33
45.0	2.58	2.09	2.67	2.14	2.85	2.22	2.91	2.27	3.05	2.36	3.14	2.35	3.23	2.35	3.42	2.31	3.58	2.26
46.0	2.54	2.06	2.63	2.10	2.80	2.19	2.87	2.24	3.00	2.33	3.09	2.32	3.18	2.31	3.37	2.28	3.52	2.23

Product models : RAV-HM561KRTP-E / TR ; RAV-GM562ATP-E / TR

Standard Condition

Indoor	27.0 °C DB / 19.0 °C WB
Outdoor	35.0 °C DB / 24.0 °C WB

Specification of product at standard condition.

Total Cooling Capacity (TC)	5.00	kW
Sensible Heat Capacity (SHC)	3.65	kW

Outdoor air temp. °C DB	Indoor Air temperature																	
	14.0 °C WB		15.0 °C WB		16.0 °C WB		17.0 °C WB		18.0 °C WB		19.0 °C WB		20.0 °C WB		22.0 °C WB		24.0 °C WB	
	20.0 °C DB		21.0 °C DB		23.0 °C DB		24.0 °C DB		26.0 °C DB		27.0 °C DB		28.0 °C DB		30.0 °C DB		32.0 °C DB	
	TC	SHC	TC	SHC	TC	SHC	TC	SHC	TC	SHC	TC	SHC	TC	SHC	TC	SHC	TC	SHC
10.0	5.42	4.29	5.61	4.38	5.99	4.56	6.13	4.65	6.42	4.84	6.60	4.82	6.79	4.80	7.19	4.73	7.52	4.60
12.0	5.32	4.21	5.50	4.30	5.87	4.47	6.01	4.56	6.29	4.75	6.48	4.73	6.66	4.71	7.05	4.64	7.38	4.51
14.0	5.21	4.12	5.40	4.21	5.76	4.38	5.89	4.47	6.17	4.66	6.35	4.63	6.53	4.62	6.91	4.54	7.23	4.43
16.0	5.11	4.04	5.29	4.13	5.64	4.29	5.78	4.38	6.04	4.56	6.22	4.54	6.40	4.52	6.77	4.45	7.09	4.34
18.0	5.00	3.96	5.18	4.04	5.52	4.20	5.66	4.29	5.92	4.47	6.09	4.45	6.27	4.43	6.63	4.36	6.94	4.25
20.0	4.90	3.87	5.07	3.96	5.41	4.12	5.54	4.20	5.79	4.37	5.96	4.35	6.13	4.34	6.49	4.27	6.79	4.16
21.0	4.84	3.83	5.01	3.91	5.35	4.07	5.48	4.16	5.73	4.33	5.90	4.31	6.07	4.29	6.43	4.22	6.72	4.11
23.0	4.74	3.75	4.90	3.83	5.23	3.98	5.36	4.07	5.60	4.23	5.77	4.21	5.94	4.20	6.29	4.13	6.57	4.02
25.0	4.63	3.66	4.80	3.74	5.12	3.89	5.24	3.98	5.48	4.14	5.64	4.12	5.80	4.10	6.15	4.04	6.43	3.93
27.0	4.53	3.58	4.69	3.66	5.00	3.81	5.12	3.89	5.36	4.04	5.51	4.02	5.67	4.01	6.01	3.95	6.28	3.84
29.0	4.42	3.50	4.58	3.57	4.88	3.72	5.00	3.80	5.23	3.95	5.39	3.93	5.54	3.92	5.87	3.86	6.14	3.75
31.0	4.32	3.41	4.47	3.49	4.77	3.63	4.88	3.70	5.11	3.86	5.26	3.84	5.41	3.82	5.73	3.76	5.99	3.66
33.0	4.21	3.33	4.36	3.40	4.65	3.54	4.76	3.61	4.98	3.76	5.13	3.74	5.28	3.73	5.59	3.67	5.84	3.58
35.0	4.11	3.25	4.25	3.32	4.54	3.45	4.64	3.52	4.86	3.67	5.00	3.65	5.14	3.64	5.45	3.58	5.70	3.49
37.0	4.00	3.16	4.14	3.23	4.42	3.36	4.52	3.43	4.73	3.57	4.87	3.56	5.01	3.54	5.31	3.49	5.55	3.40
39.0	3.90	3.08	4.03	3.15	4.30	3.27	4.40	3.34	4.61	3.48	4.74	3.46	4.88	3.45	5.17	3.40	5.40	3.31
40.0	2.98	2.36	3.09	2.41	3.29	2.51	3.37	2.56	3.53	2.66	3.63	2.65	3.74	2.64	3.96	2.60	4.14	2.53
42.0	2.76	2.18	2.86	2.23	3.05	2.32	3.12	2.37	3.26	2.46	3.36	2.45	3.46	2.44	3.66	2.41	3.83	2.34
43.0	2.65	2.09	2.74	2.14	2.93	2.23	2.99	2.27	3.13	2.37	3.22	2.35	3.32	2.35	3.51	2.31	3.67	2.25
45.0	1.64	1.29	1.69	1.32	1.81	1.38	1.85	1.41	1.94	1.46	1.99	1.46	2.05	1.45	2.17	1.43	2.27	1.39
46.0	1.53	1.21	1.58	1.23	1.69	1.28	1.73	1.31	1.80	1.36	1.86	1.36	1.91	1.35	2.02	1.33	2.12	1.30

Indoor units : RAV-HM401KRTP-E
Outdoor unit : RAV-GM402ATP-E

Table with 5 columns: Operation range, Cooling (Q, P), Heating (Q, P). Rows: MINIMUM, RATING, MAXIMUM.

Cooling

Cooling performance table. Columns: Outdoor Temperature (DB °C), Parts Load (%), Q, P for each load (100, 90, 80, 70, 60, 50, 40, 30, 20, 10).

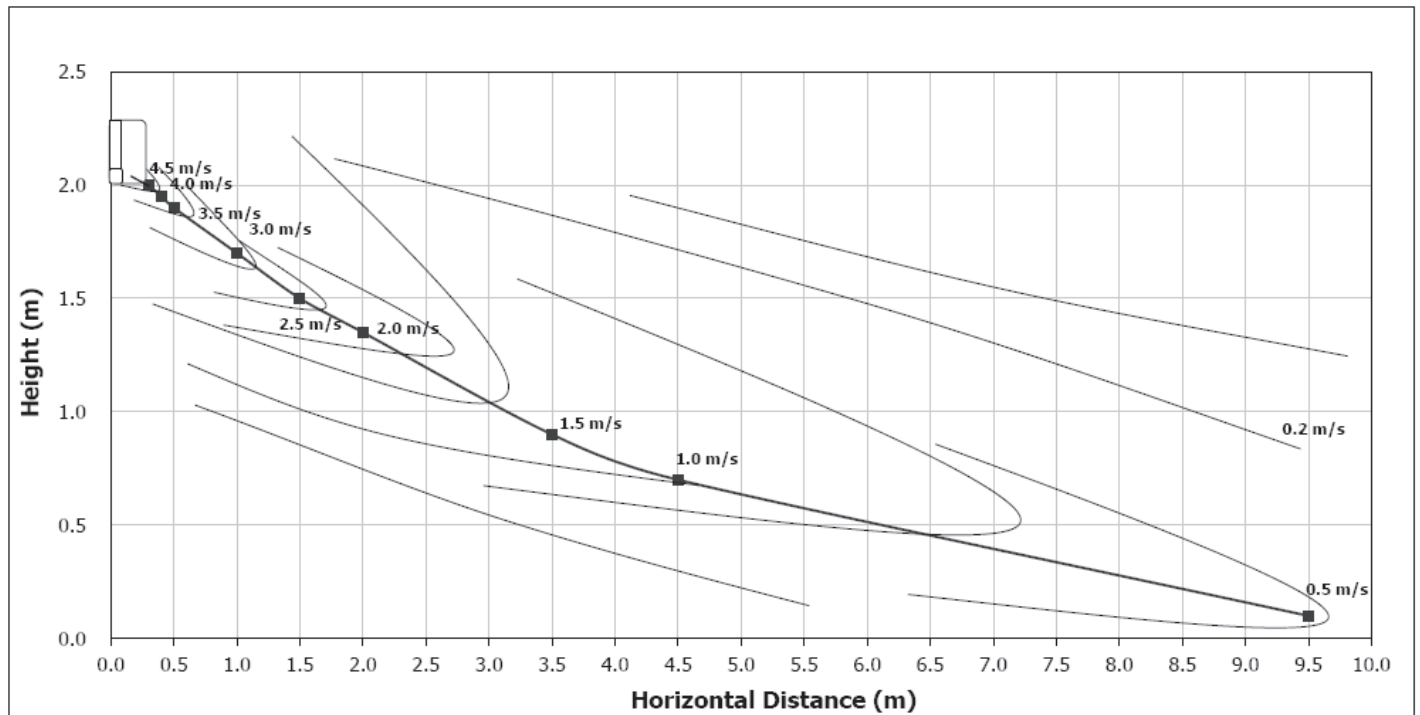
Heating

Heating performance table. Columns: Outdoor Temperature (DB °C), Parts Load (%), Q, P for each load (100, 90, 80, 70, 60, 50, 40, 30, 20, 10).

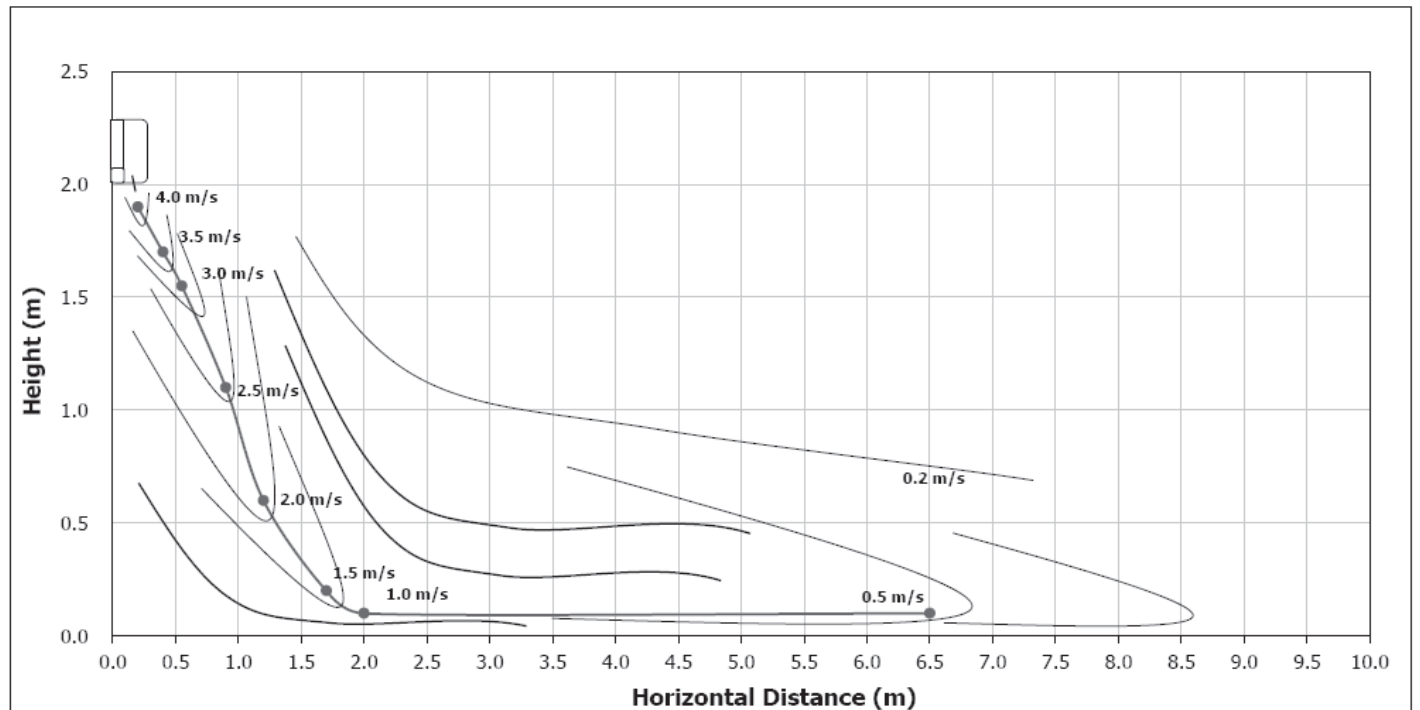
2-5-6. Air throw distance chart

RAV-HM301KRTP-E

Cooling

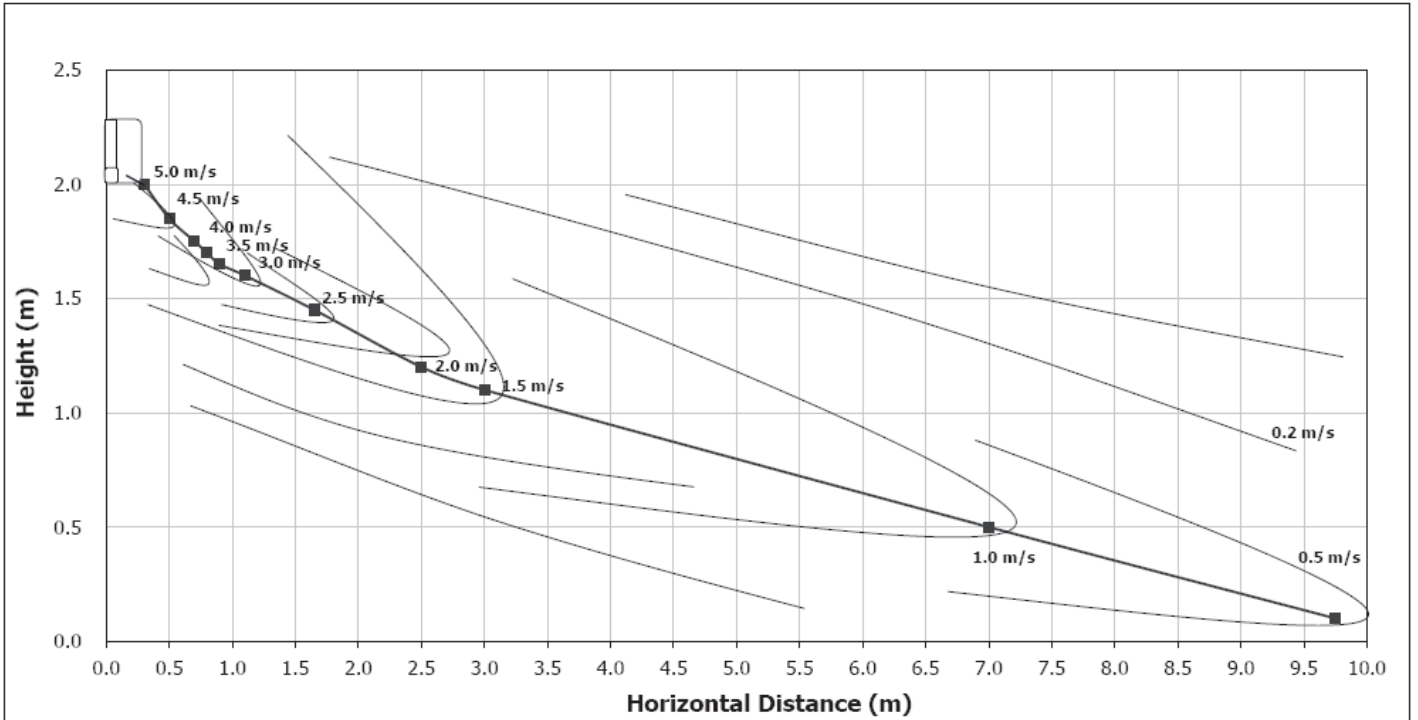


Heating

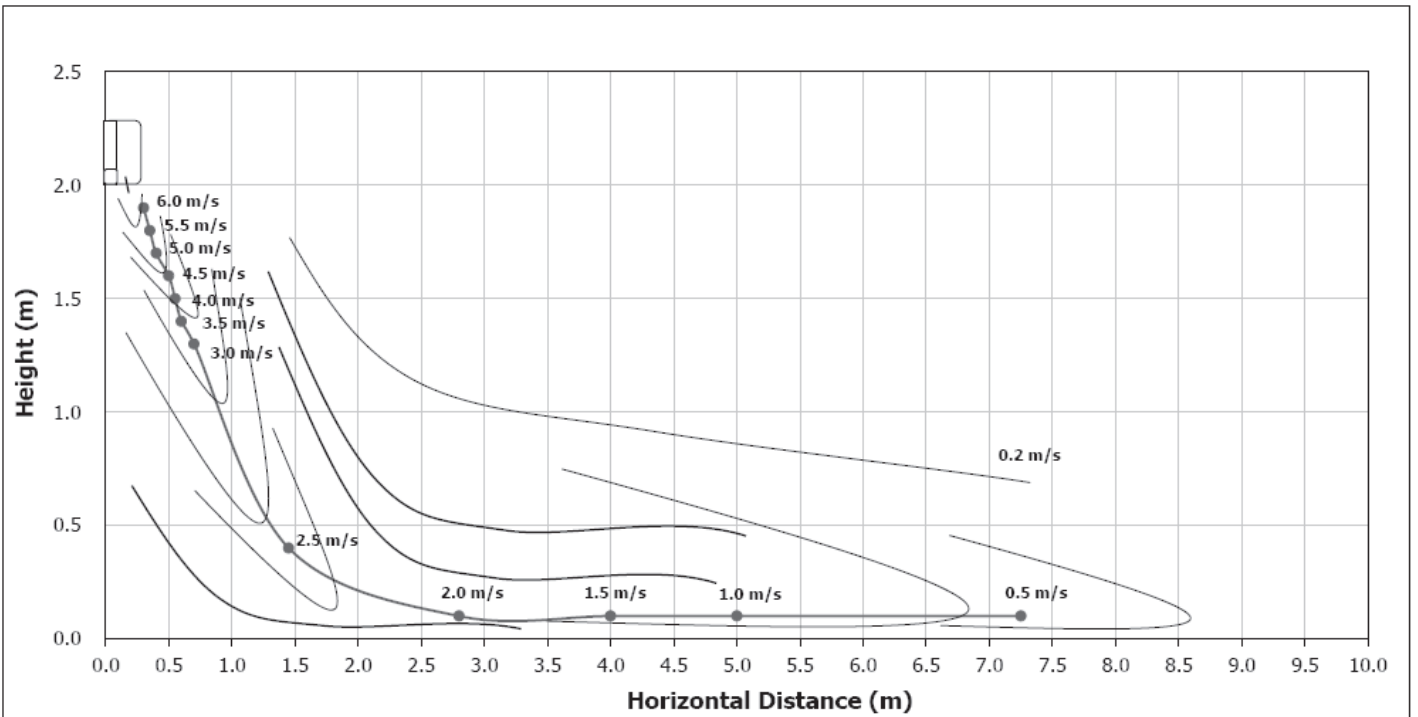


RAV-HM401KRTP-E

Cooling

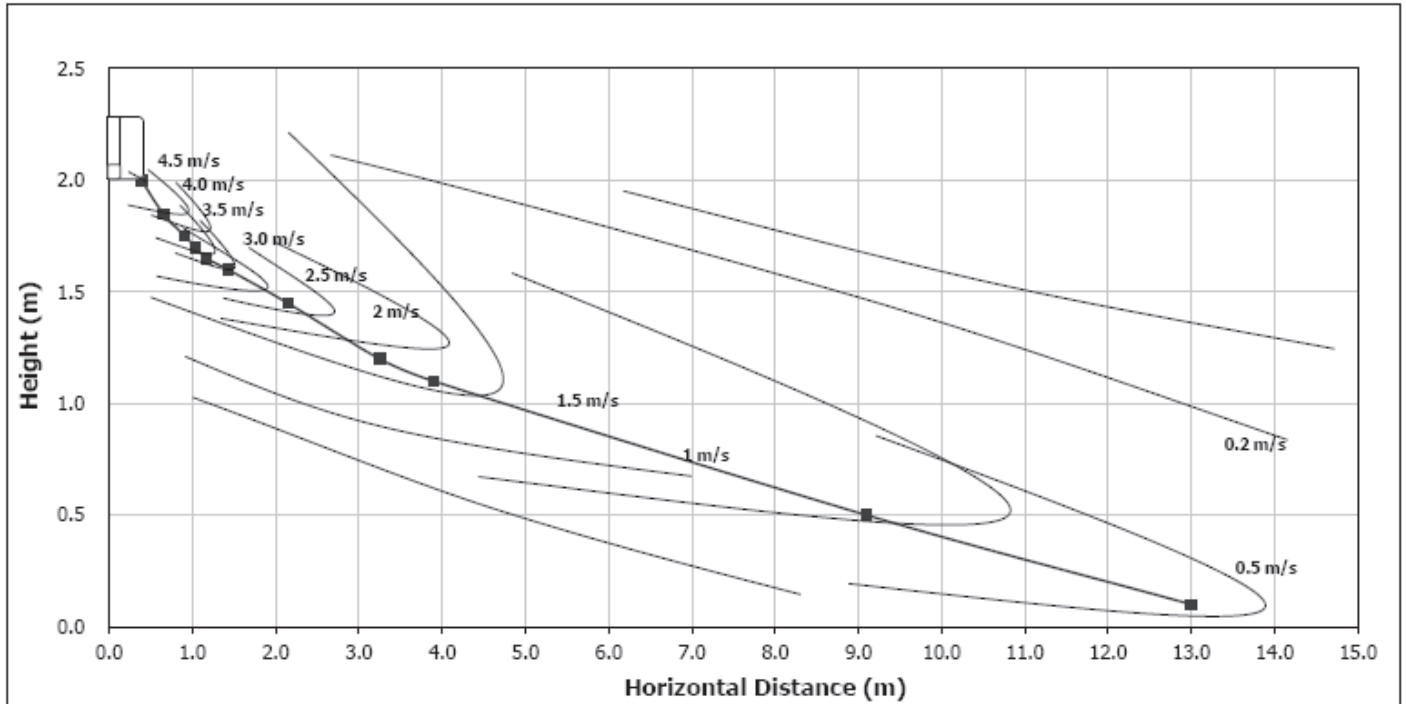


Heating

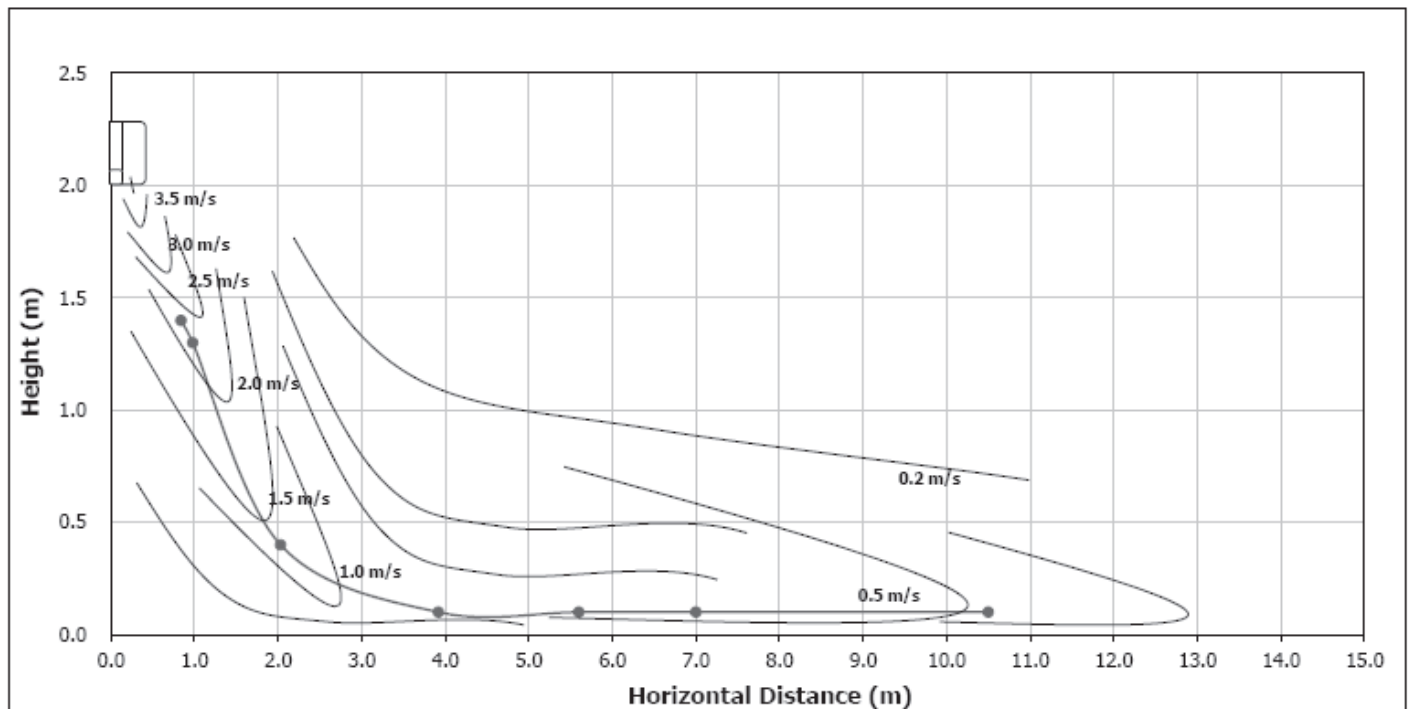


RAV-HM561KRTP-E / TR

Cooling



Heating

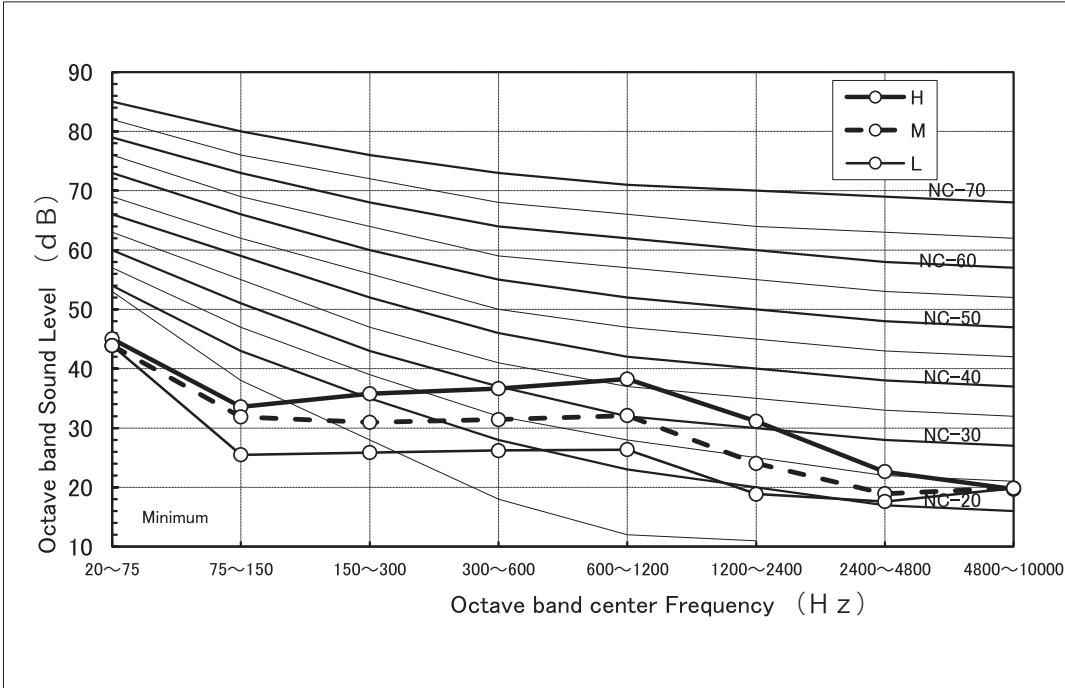


2-5-7. Sound Characteristics (NC curve)

RAV-HM301KRTP-E/TR

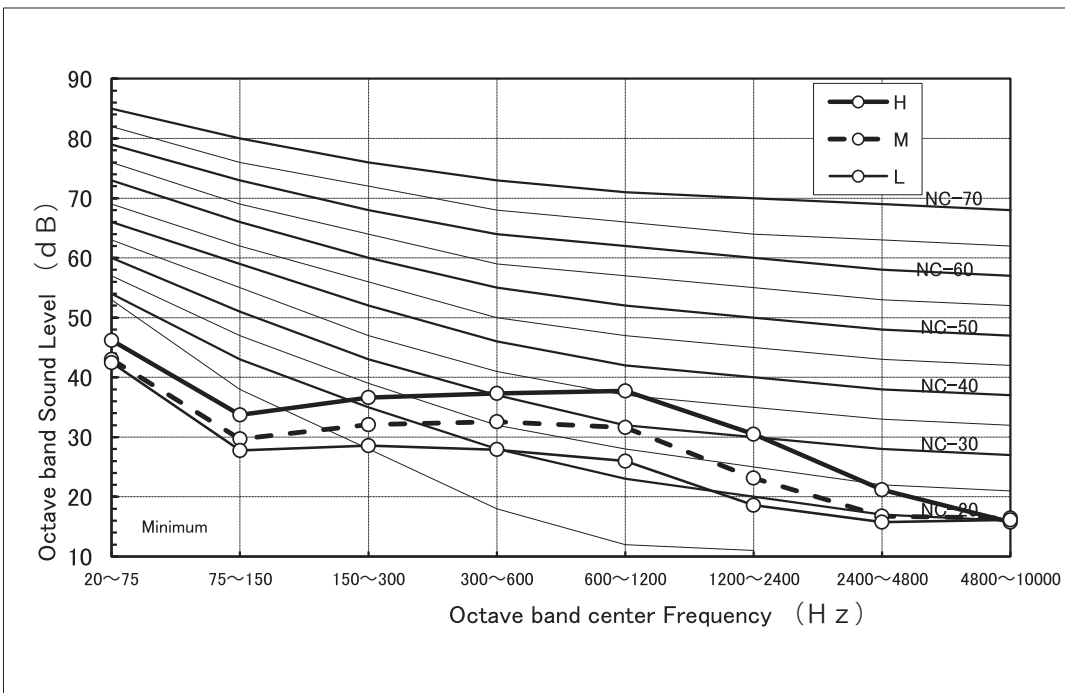
Cooling

Specification (d B)			
Fan tap	H	M	L
Sound pressure level (dB(A))	40	34	29



Heating

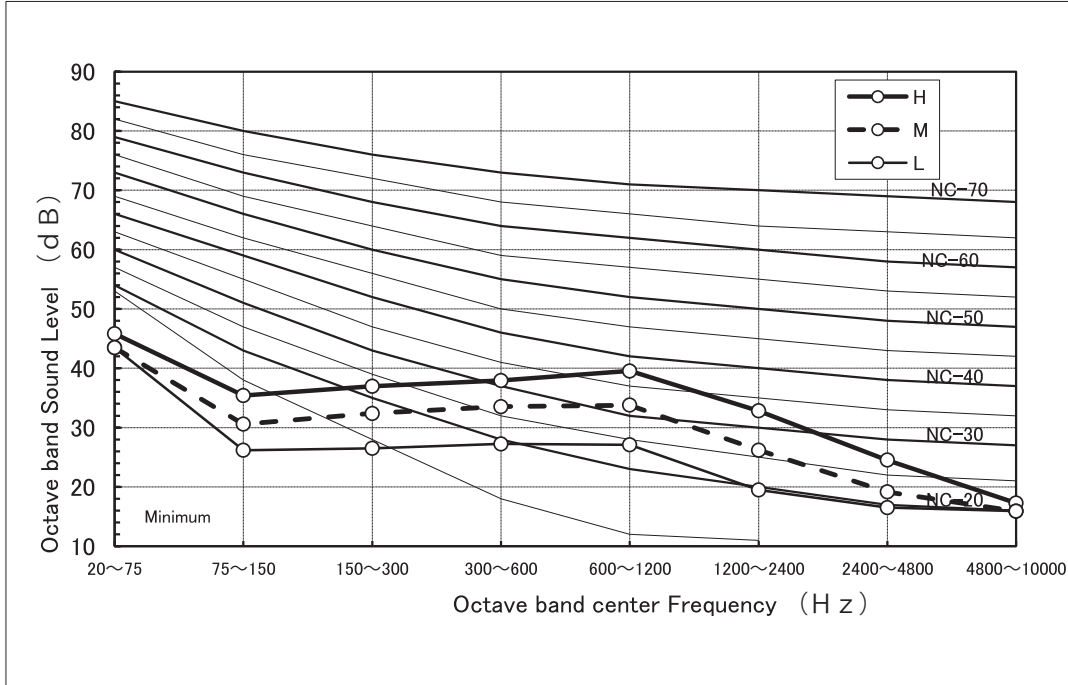
Specification (d B)			
Fan tap	H	M	L
Sound pressure level (dB(A))	40	34	29



RAV-HM401KRTP-E

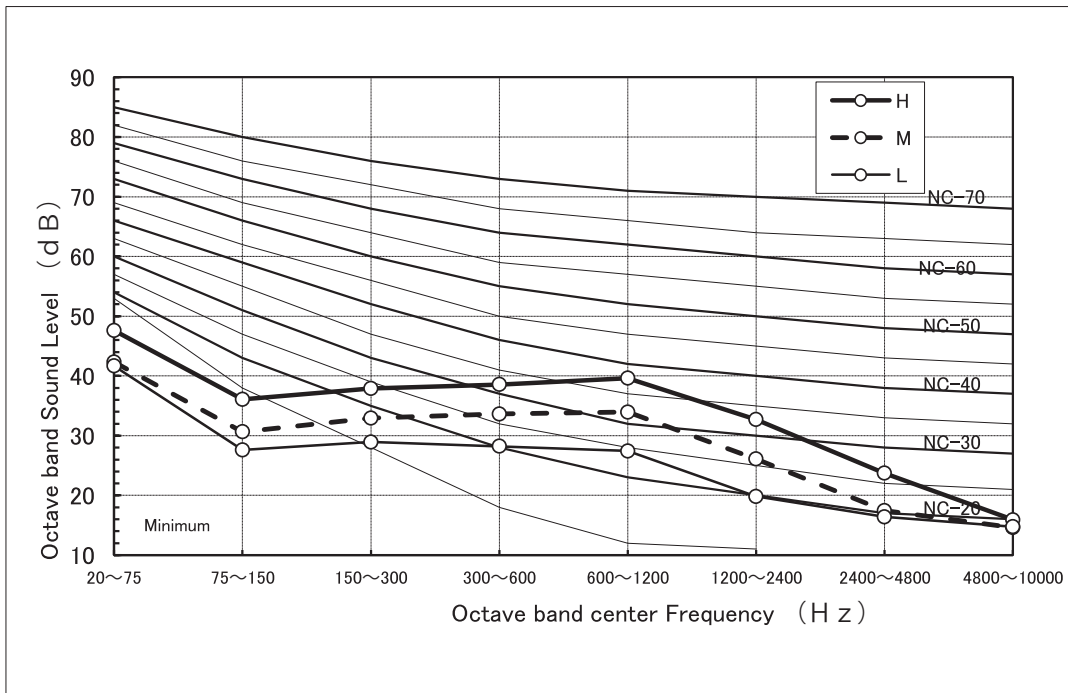
Cooling

Specification (d B)			
Fan tap	H	M	L
Sound pressure level (dB(A))	41	36	30



Heating

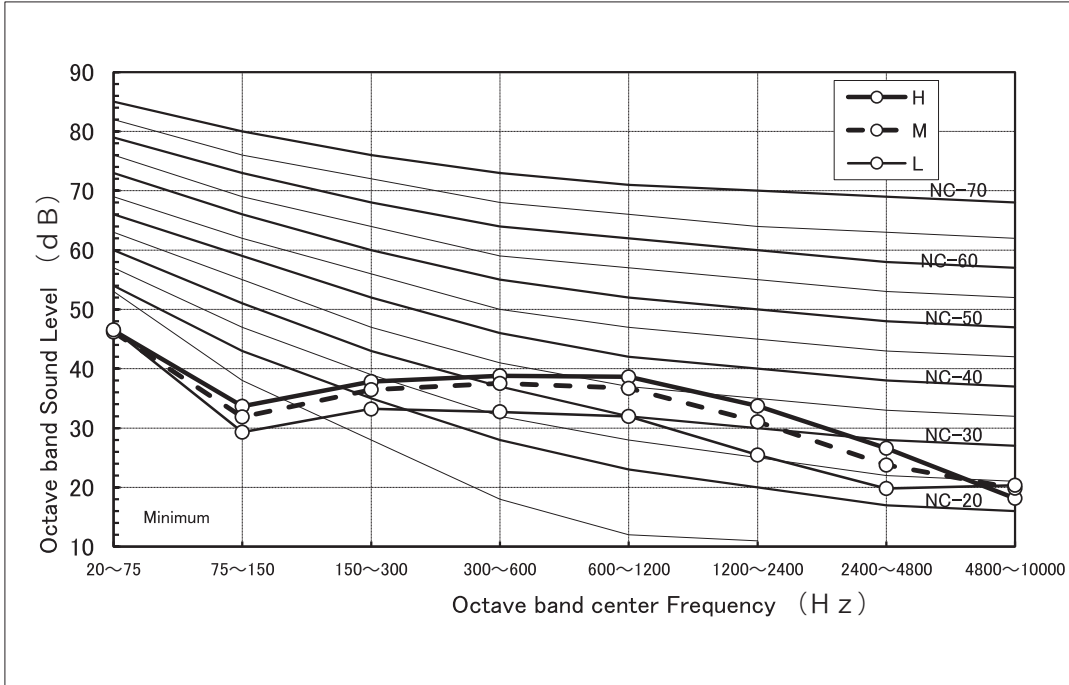
Specification (d B)			
Fan tap	H	M	L
Sound pressure level (dB(A))	41	36	30



RAV-HM561KRTP-E/TR

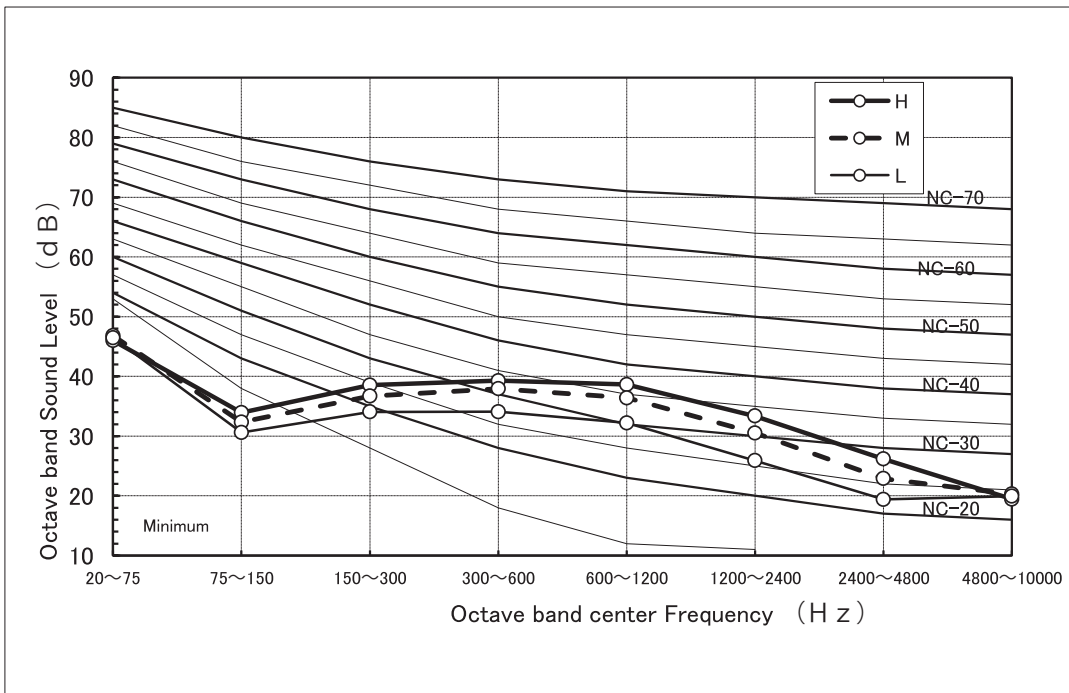
Cooling

Specification (d B)			
Fan tap	H	M	L
Sound pressure level (dB(A))	42	39	35



Heating

Specification (d B)			
Fan tap	H	M	L
Sound pressure level (dB(A))	42	39	35



2-6. Floor Standing Type

2-6-1. Specifications

2-6-2. Dimension

2-6-3. Wiring Diagrams

2-6-4. Sensible Capacity Table

2-6-5. Part Load Performance

2-6-6. Air Throw Distance Chart

2-6-7. Sound Characteristics (NC Curve)

2-6-1. Specifications

Floor standing type

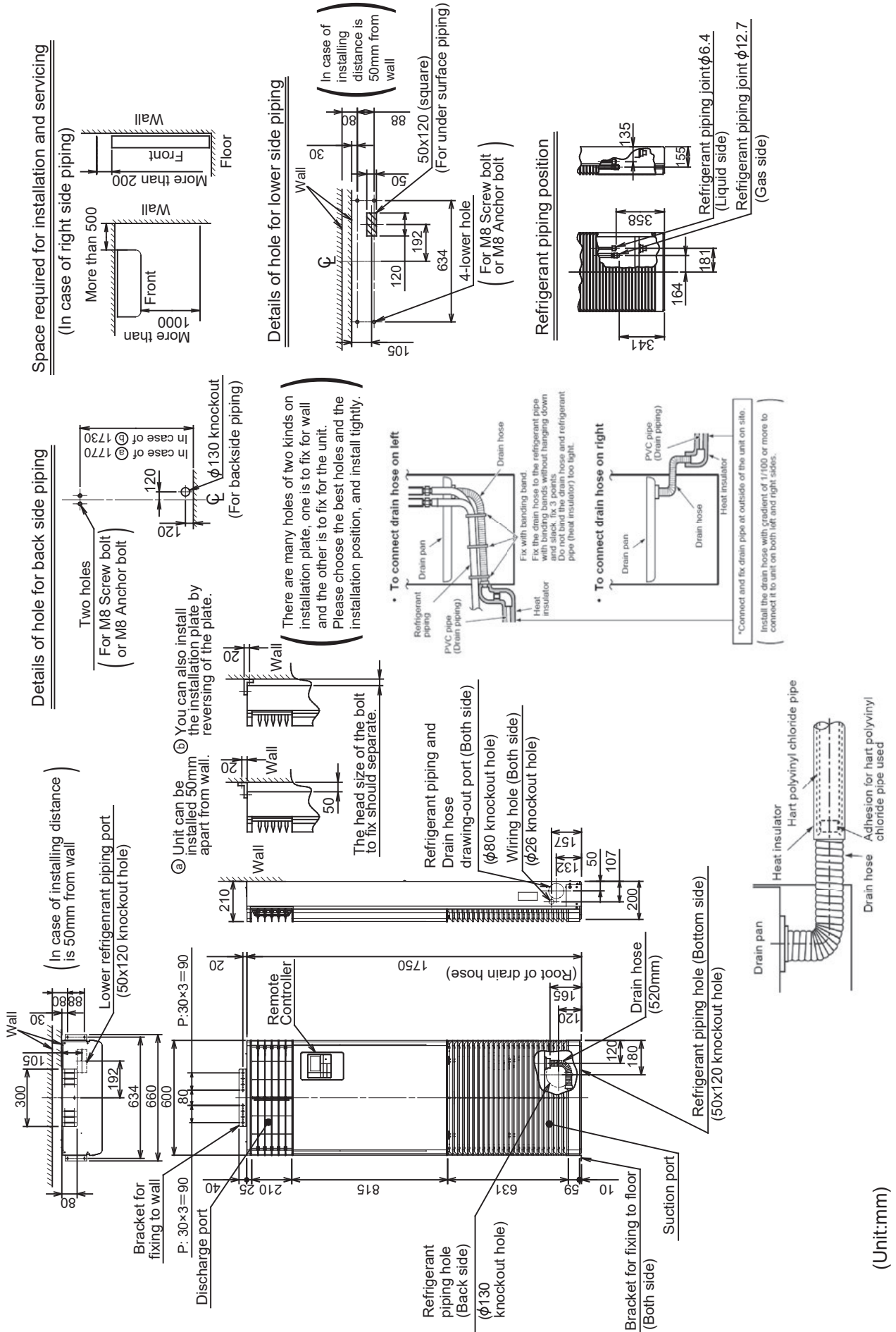
Model	Indoor unit		RAV-HM561FT-E / TR	
	Outdoor unit		RAV-GM562ATP-E / TR	
Cooling Capacity	(kW)		5.0	
Heating Capacity	(kW)		5.3	
Power Supply	1 phase 220V-240V, 50Hz			
Electrical Characteristics	Cooling	Running current (A)	8.40 - 7.69	
		Power consumption (kW)	1.79	
		Power factor (%)	97	
		EER	2.79	
		SEER	5.80	
		Energy star rating	A+	
	Heating	Running current (A)	8.06 - 7.39	
		Power consumption (kW)	1.72	
		Power factor (%)	97	
		COP	3.08	
		SCOP	4.00	
Maximum current	(A)	14.8		
Outer dimension	Main unit	Height (mm)	1750	
		Width (mm)	600	
		Depth (mm)	210	
Weight	Main unit	(kg)	44	
Fan motor output			(W)	62
Refrigerant quantity in outdoor unit			(kg)	0.90
Additional refrigerant charge			(g/m)	20
Operation range	Cooling	(°C)	-15 to 46	
	Heating	(°C)	-15 to 15	
Sound pressure level	H/M/L	(dB·A)	46/42/38	
Sound power level	H/M/L	(dB·A)	48/46/41	
Connecting pipe	Gas side	(mm)	12.7	
	Liquid side	(mm)	6.4	
	Drain port	(mm)	VP25	

Note : Rated conditions Cooling : Indoor air temperature 27 °C DB / 19 °C WB, Outdoor air temperature 35 °C DB

Heating : Indoor air temperature 20 °C DB, Outdoor air temperature 7 °C DB / 6 °C WB

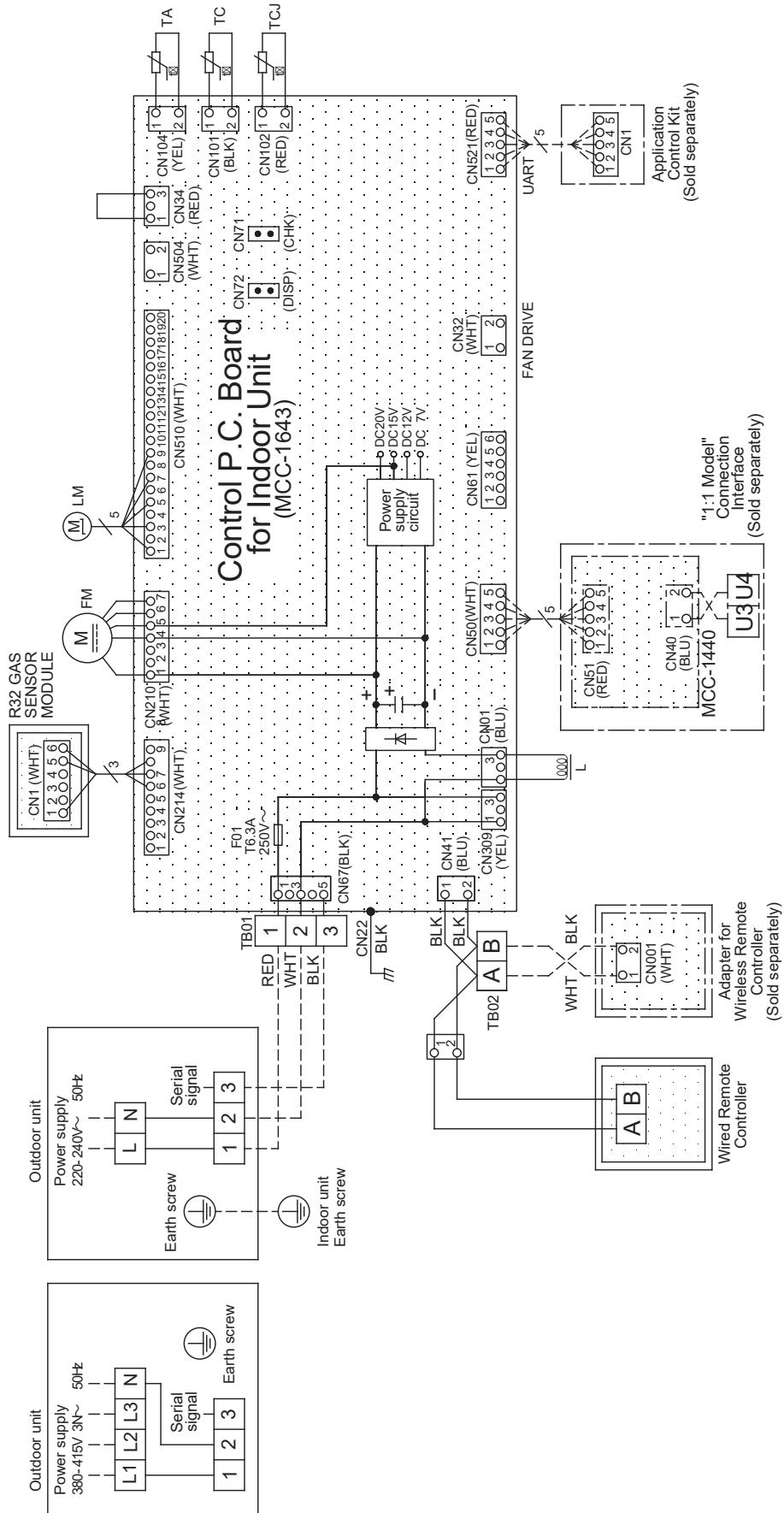
2-6-2. Dimension

RAV-HM561FT-E / TR



2-6-3. Wiring diagrams

RAV-HM561FT-E / TR



2-6-4. Sensible Capacity Table

Product models : RAV-HM561FT-E / TR ; RAV-GM562ATP-E / TR

Standard Condition

Indoor	27.0 °C DB / 19.0 °C WB
Outdoor	35.0 °C DB / 24.0 °C WB

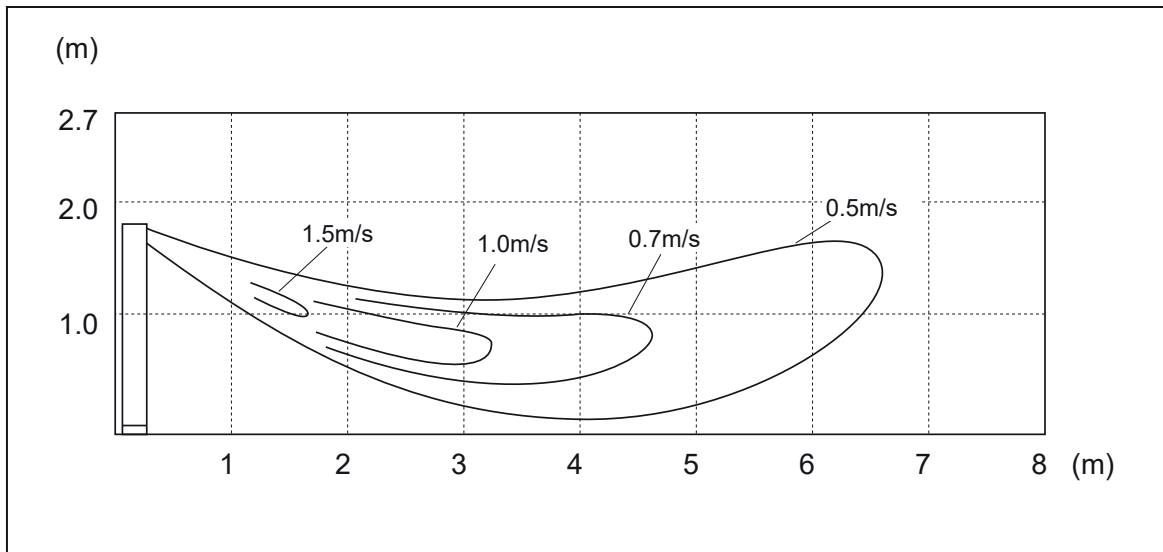
Specification of product at standard condition.

Total Cooling Capacity (TC)	5.00 kW
Sensible Heat Capacity (SHC)	4.05 kW

Outdoor air temp.	Indoor Air temperature																	
	14.0 °C WB		15.0 °C WB		16.0 °C WB		17.0 °C WB		18.0 °C WB		19.0 °C WB		20.0 °C WB		22.0 °C WB		24.0 °C WB	
	20.0 °C DB		21.0 °C DB		23.0 °C DB		24.0 °C DB		26.0 °C DB		27.0 °C DB		28.0 °C DB		30.0 °C DB		32.0 °C DB	
°C DB	TC	SHC	TC	SHC	TC	SHC	TC	SHC	TC	SHC	TC	SHC	TC	SHC	TC	SHC	TC	SHC
10.0	5.42	4.72	5.61	4.83	5.99	5.04	6.13	5.15	6.42	5.36	6.60	5.35	6.79	5.35	7.19	5.30	7.52	5.21
12.0	5.32	4.63	5.50	4.74	5.87	4.94	6.01	5.05	6.29	5.25	6.48	5.25	6.66	5.24	7.05	5.20	7.38	5.10
14.0	5.21	4.54	5.40	4.64	5.76	4.84	5.89	4.95	6.17	5.15	6.35	5.14	6.53	5.14	6.91	5.10	7.23	5.00
16.0	5.11	4.45	5.29	4.55	5.64	4.74	5.78	4.85	6.04	5.04	6.22	5.04	6.40	5.04	6.77	4.99	7.09	4.90
18.0	5.00	4.36	5.18	4.46	5.52	4.65	5.66	4.75	5.92	4.94	6.09	4.93	6.27	4.93	6.63	4.89	6.94	4.80
20.0	4.90	4.26	5.07	4.36	5.41	4.55	5.54	4.65	5.79	4.84	5.96	4.83	6.13	4.83	6.49	4.79	6.79	4.70
21.0	4.84	4.22	5.01	4.32	5.35	4.50	5.48	4.60	5.73	4.78	5.90	4.78	6.07	4.78	6.43	4.74	6.72	4.65
23.0	4.74	4.13	4.90	4.22	5.23	4.40	5.36	4.50	5.60	4.68	5.77	4.67	5.94	4.67	6.29	4.63	6.57	4.55
25.0	4.63	4.04	4.80	4.13	5.12	4.30	5.24	4.40	5.48	4.58	5.64	4.57	5.80	4.57	6.15	4.53	6.43	4.45
27.0	4.53	3.94	4.69	4.03	5.00	4.21	5.12	4.30	5.36	4.47	5.51	4.47	5.67	4.46	6.01	4.43	6.28	4.35
29.0	4.42	3.85	4.58	3.94	4.88	4.11	5.00	4.20	5.23	4.37	5.39	4.36	5.54	4.36	5.87	4.32	6.14	4.24
31.0	4.32	3.76	4.47	3.85	4.77	4.01	4.88	4.10	5.11	4.26	5.26	4.26	5.41	4.26	5.73	4.22	5.99	4.14
33.0	4.21	3.67	4.36	3.75	4.65	3.91	4.76	4.00	4.98	4.16	5.13	4.15	5.28	4.15	5.59	4.12	5.84	4.04
35.0	4.11	3.58	4.25	3.66	4.54	3.81	4.64	3.90	4.86	4.06	5.00	4.05	5.14	4.05	5.45	4.02	5.70	3.94
37.0	4.00	3.48	4.14	3.56	4.42	3.72	4.52	3.80	4.73	3.95	4.87	3.95	5.01	3.95	5.31	3.91	5.55	3.84
39.0	3.90	3.39	4.03	3.47	4.30	3.62	4.40	3.70	4.61	3.85	4.74	3.84	4.88	3.84	5.17	3.81	5.40	3.74
40.0	2.70	2.35	2.79	2.40	2.98	2.50	3.05	2.56	3.19	2.66	3.28	2.66	3.38	2.66	3.58	2.64	3.74	2.59
42.0	2.47	2.15	2.56	2.20	2.73	2.30	2.79	2.34	2.92	2.44	3.01	2.44	3.09	2.44	3.28	2.42	3.43	2.37
43.0	2.36	2.05	2.44	2.10	2.60	2.19	2.67	2.24	2.79	2.33	2.87	2.33	2.95	2.33	3.13	2.31	3.27	2.26
45.0	1.38	1.20	1.43	1.23	1.53	1.28	1.56	1.31	1.63	1.36	1.68	1.36	1.73	1.36	1.83	1.35	1.92	1.33
46.0	1.27	1.10	1.31	1.13	1.40	1.18	1.43	1.20	1.50	1.25	1.54	1.25	1.59	1.25	1.68	1.24	1.76	1.22

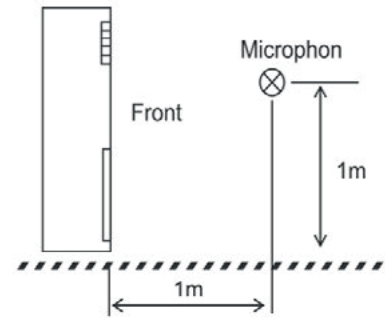
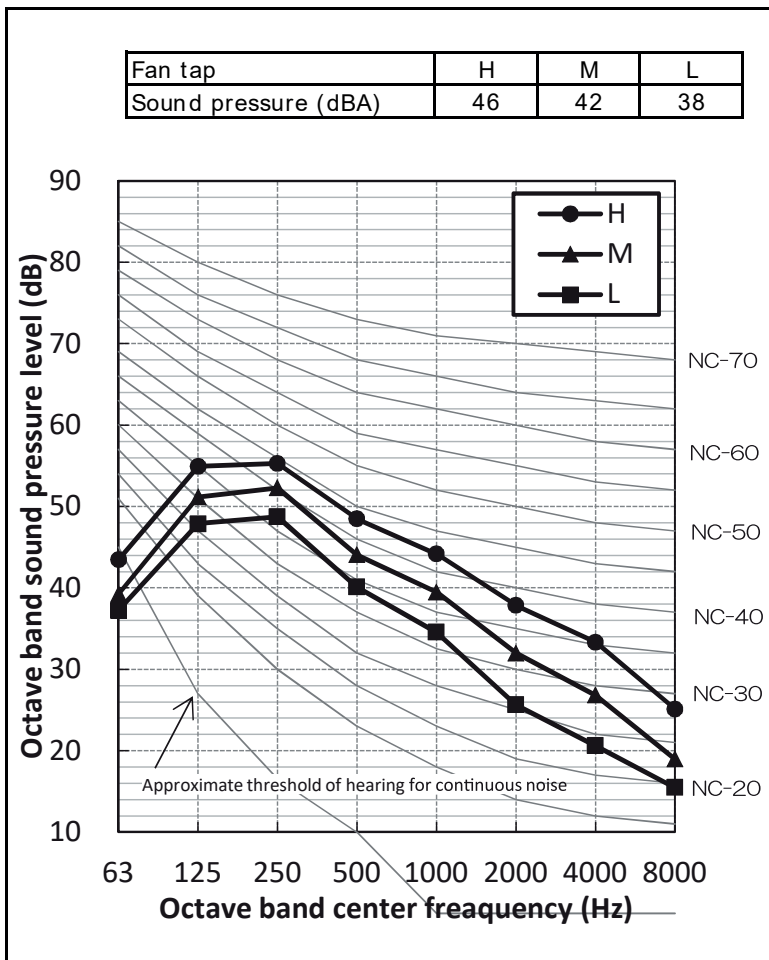
2-6-6. Air throw distance chart

RAV-HM561FT-E / TR



2-6-7. Sound Characteristics (NC curve)

RAV-HM561FT-E / TR



2-7. 1-way Cassette Type

2-7-1. Specifications

2-7-2. Dimension

2-7-3. Wiring Diagrams

2-7-4. Sensible Capacity Table

2-7-5. Part Load Performance

2-7-6. Air Throw Distance Chart

2-7-7. Sound Characteristics (NC Curve)

2-7-1. Specifications

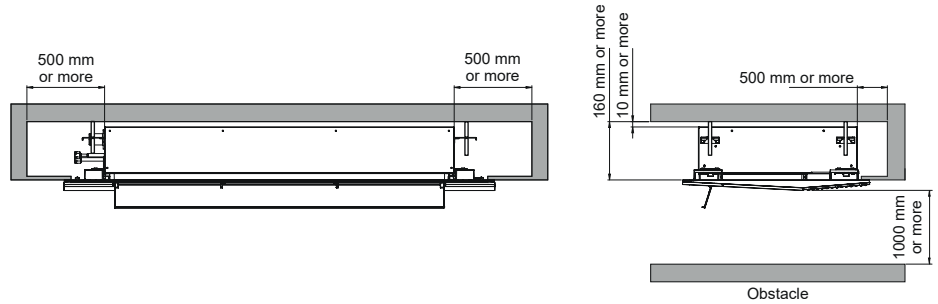
1-way Cassette type

Model	Indoor unit		RAV-HM	301U1TP-E / TR	401U1TP-E / TR
	Outdoor unit		RAV-GM	302ATP-E / TR	402ATP-E / TR
Cooling Capacity			(kW)	2.5	3.6
Heating Capacity			(kW)	3.4	4.0
Power Supply			1 phase 230V (220-240V) 50Hz		
Electrical Characteristics	Cooling	Running current	(A)	3.48 - 3.19	5.41 - 4.96
		Power consumption	(kW)	0.690	1.130
		Power factor	(%)	90	95
		EER		3.62	3.19
		SEER		6.20	6.00
		Energy star rating		A++	A+
	Heating	Running current	(A)	5.15 - 4.72	6.25 - 5.73
		Power consumption	(kW)	1.030	1.320
		Power factor	(%)	91	96
		COP		3.30	3.03
		SCOP		4.10	4.00
		Energy star rating		A+	A+
	Maximum current			(A)	7.90
Appearance	Main unit		Zinc hot dipping steel plate		
	Ceiling panel (Sold separately)		RBC-UY32P-E		
Outer dimension	Main unit	Height	(mm)	150	150
		Width	(mm)	990	990
		Depth	(mm)	450	450
	Ceiling panel (Sold separately)	Height	(mm)	30	30
		Width	(mm)	530	530
		Depth	(mm)	1220	1220
Total weight	Main unit		(kg)	13	
	Ceiling panel		(kg)	3	3
Heat exchanger			Finned tube		
Fan unit	Fan		Cross flow fan		
	Standard air flow	H/M/L	(m ³ /min)	8.7 / 6.8 / 4.8	9.0 / 7.0 / 4.8
	Motor		(W)	30	60
Air filter			Standard filter attached		
Controller (packed with indoor unit)			-		
Controller (sold separately)			RBC-ASCU11-E, RBC-AMT32E, RBC-AS21E2, RBC-AMS41E, RBC-AMS51E		
Sound pressure level		H/M/L	(dB·A)	39/35/30	40/36/30
Sound power level		H/M/L	(dB·A)	54/50/45	55/51/45
Connecting pipe	Gas side		(mm)	9.5	12.7
	Liquid side		(mm)	6.4	6.4
	Drain port		(mm)	VP25	

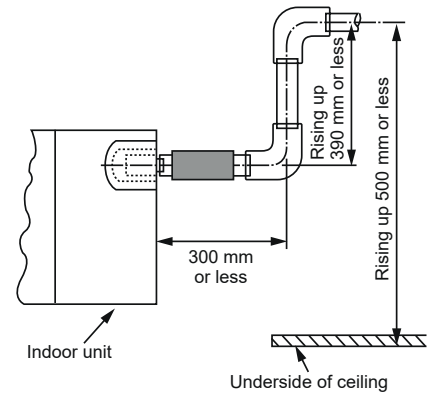
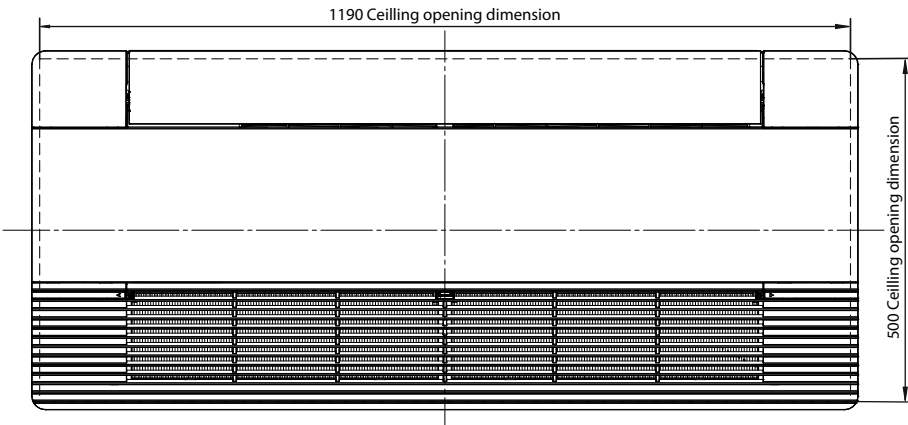
Note : Rated conditions Cooling : Indoor air temperature 27 °C DB / 19 °C WB, Outdoor air temperature 35 °C DB
 Heating : Indoor air temperature 20 °C DB, Outdoor air temperature 7 °C DB / 6 °C WB

2-7-2. Dimension

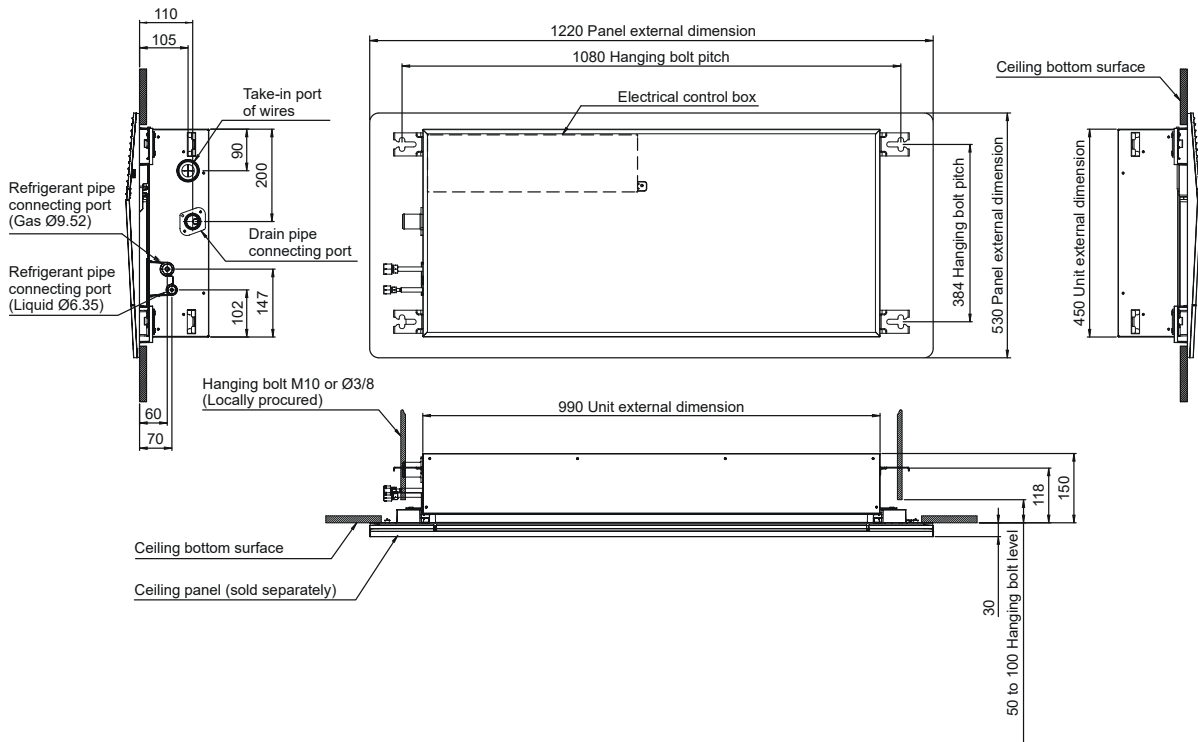
RAV-HM*_1U1TP-E / TR (*30 / 40)



The space that is necessary for equipping and service

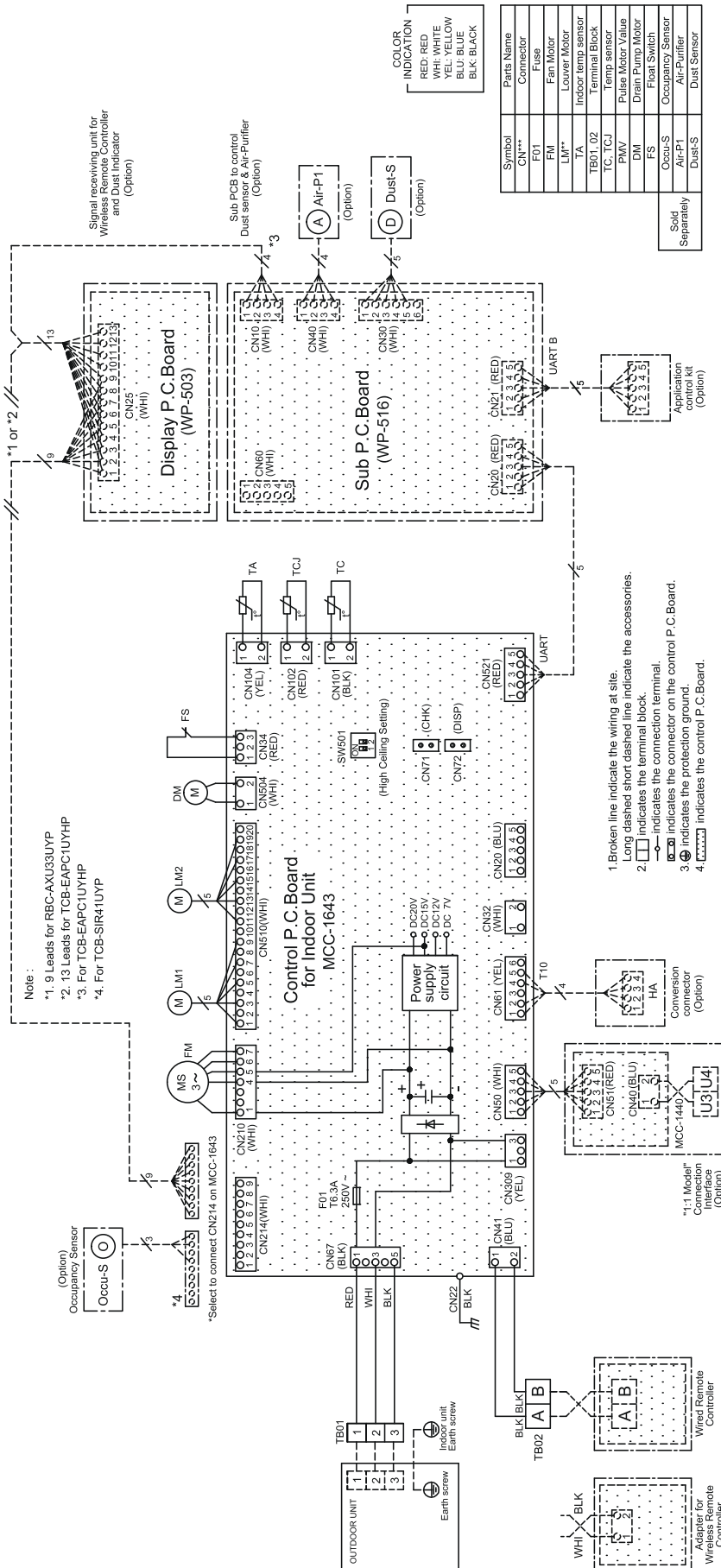


Drain upstanding size



2-7-3. Wiring diagrams

RAV-HM*_1U1TP-E / TR (*30 / 40)



2-7-4. Sensible Capacity Table

Product models : RAV-HM301U1TP-E / TR ; RAV-GM302ATP-E / TR

Standard Condition

Indoor	27.0 °C DB / 19.0 °C WB
Outdoor	35.0 °C DB / 24.0 °C WB

Specification of product at standard condition.

Total Cooling Capacity (TC)	2.50 kW
Sensible Heat Capacity (SHC)	2.00 kW

Outdoor air temp. °C DB	Indoor Air temperature																	
	14.0 °C WB		15.0 °C WB		16.0 °C WB		17.0 °C WB		18.0 °C WB		19.0 °C WB		20.0 °C WB		22.0 °C WB		24.0 °C WB	
	20.0 °C DB		21.0 °C DB		23.0 °C DB		24.0 °C DB		26.0 °C DB		27.0 °C DB		28.0 °C DB		30.0 °C DB		32.0 °C DB	
	TC	SHC	TC	SHC	TC	SHC	TC	SHC	TC	SHC	TC	SHC	TC	SHC	TC	SHC	TC	SHC
10.0	2.71	2.33	2.81	2.39	3.00	2.49	3.07	2.54	3.21	2.65	3.30	2.64	3.40	2.64	3.60	2.62	3.76	2.57
12.0	2.66	2.29	2.75	2.34	2.94	2.44	3.01	2.49	3.15	2.59	3.24	2.59	3.33	2.59	3.53	2.56	3.69	2.52
14.0	2.61	2.24	2.70	2.30	2.88	2.39	2.95	2.44	3.08	2.54	3.17	2.54	3.26	2.54	3.46	2.51	3.62	2.47
16.0	2.55	2.20	2.64	2.25	2.82	2.34	2.89	2.39	3.02	2.49	3.11	2.49	3.20	2.49	3.39	2.46	3.54	2.42
18.0	2.50	2.15	2.59	2.20	2.76	2.30	2.83	2.34	2.96	2.44	3.05	2.44	3.13	2.43	3.32	2.41	3.47	2.37
20.0	2.45	2.11	2.53	2.16	2.70	2.25	2.77	2.29	2.90	2.39	2.98	2.39	3.07	2.38	3.25	2.36	3.40	2.32
21.0	2.42	2.09	2.51	2.13	2.68	2.22	2.74	2.27	2.86	2.36	2.95	2.36	3.03	2.36	3.21	2.34	3.36	2.29
23.0	2.37	2.04	2.45	2.09	2.62	2.17	2.68	2.22	2.80	2.31	2.89	2.31	2.97	2.31	3.14	2.29	3.29	2.24
25.0	2.32	1.99	2.40	2.04	2.56	2.13	2.62	2.17	2.74	2.26	2.82	2.26	2.90	2.26	3.07	2.23	3.21	2.19
27.0	2.26	1.95	2.34	1.99	2.50	2.08	2.56	2.12	2.68	2.21	2.76	2.21	2.84	2.20	3.00	2.18	3.14	2.14
29.0	2.21	1.90	2.29	1.95	2.44	2.03	2.50	2.07	2.62	2.16	2.69	2.15	2.77	2.15	2.93	2.13	3.07	2.09
31.0	2.16	1.86	2.23	1.90	2.38	1.98	2.44	2.02	2.55	2.11	2.63	2.10	2.70	2.10	2.86	2.08	2.99	2.04
33.0	2.11	1.81	2.18	1.85	2.33	1.93	2.38	1.97	2.49	2.05	2.56	2.05	2.64	2.05	2.79	2.03	2.92	1.99
35.0	2.05	1.77	2.12	1.81	2.27	1.88	2.32	1.92	2.43	2.00	2.50	2.00	2.57	2.00	2.72	1.98	2.85	1.94
37.0	2.00	1.72	2.07	1.76	2.21	1.84	2.26	1.88	2.37	1.95	2.44	1.95	2.51	1.95	2.65	1.93	2.78	1.89
39.0	1.95	1.68	2.02	1.72	2.15	1.79	2.20	1.83	2.30	1.90	2.37	1.90	2.44	1.90	2.58	1.88	2.70	1.84
40.0	1.92	1.65	1.99	1.69	2.12	1.76	2.17	1.80	2.27	1.87	2.34	1.87	2.41	1.87	2.55	1.85	2.67	1.82
42.0	1.87	1.61	1.93	1.65	2.06	1.72	2.11	1.75	2.21	1.82	2.28	1.82	2.34	1.82	2.48	1.80	2.59	1.77
43.0	1.84	1.59	1.91	1.62	2.03	1.69	2.08	1.73	2.18	1.80	2.24	1.79	2.31	1.79	2.44	1.78	2.56	1.74
45.0	1.79	1.54	1.85	1.58	1.98	1.64	2.02	1.68	2.12	1.75	2.18	1.74	2.24	1.74	2.37	1.73	2.48	1.69
46.0	1.76	1.52	1.82	1.55	1.95	1.62	1.99	1.65	2.09	1.72	2.15	1.72	2.21	1.72	2.34	1.70	2.45	1.67

Product models : RAV-HM401U1TP-E / TR ; RAV-GM402ATP-E / TR

Standard Condition

Indoor	27.0 °C DB / 19.0 °C WB
Outdoor	35.0 °C DB / 24.0 °C WB

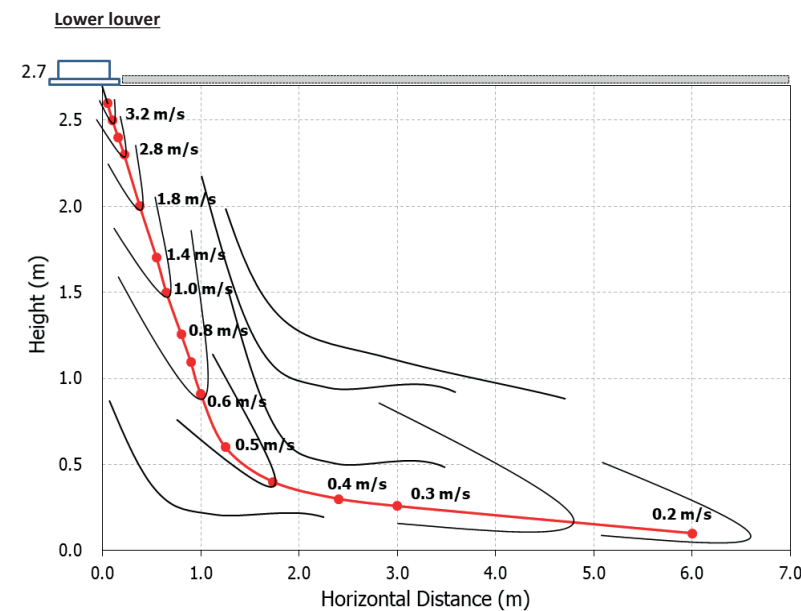
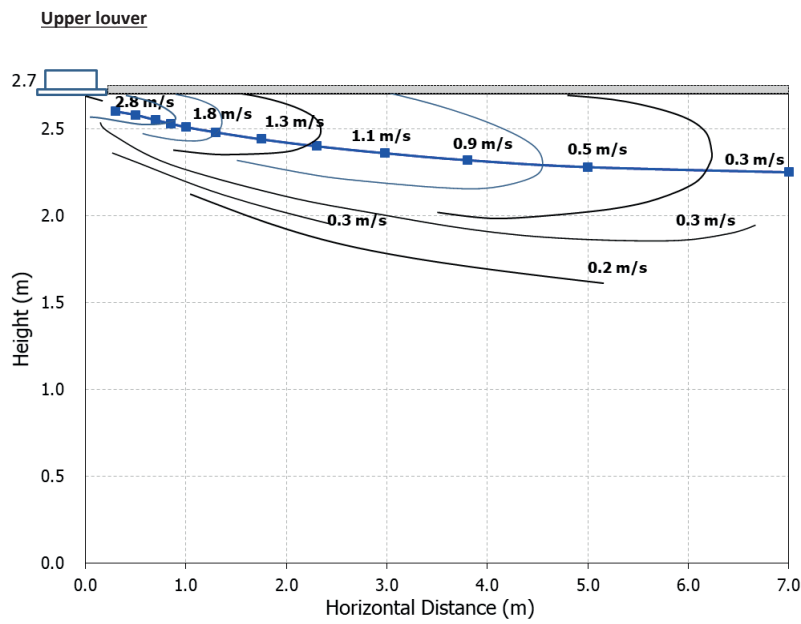
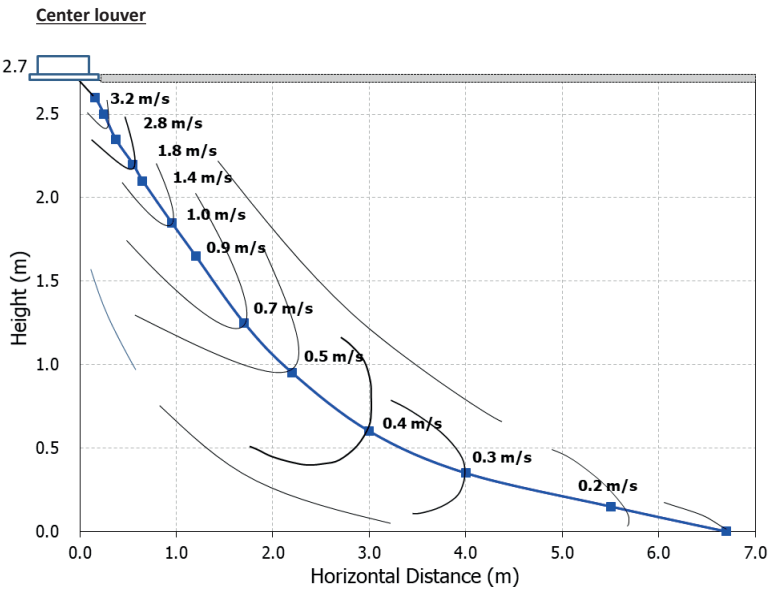
Specification of product at standard condition.

Total Cooling Capacity (TC)	3.60 kW
Sensible Heat Capacity (SHC)	2.70 kW

Outdoor air temp. °C DB	Indoor Air temperature																	
	14.0 °C WB		15.0 °C WB		16.0 °C WB		17.0 °C WB		18.0 °C WB		19.0 °C WB		20.0 °C WB		22.0 °C WB		24.0 °C WB	
	20.0 °C DB		21.0 °C DB		23.0 °C DB		24.0 °C DB		26.0 °C DB		27.0 °C DB		28.0 °C DB		30.0 °C DB		32.0 °C DB	
	TC	SHC	TC	SHC	TC	SHC	TC	SHC	TC	SHC	TC	SHC	TC	SHC	TC	SHC	TC	SHC
10.0	3.91	3.17	4.04	3.24	4.31	3.37	4.42	3.44	4.62	3.58	4.76	3.57	4.89	3.56	5.18	3.51	5.42	3.42
12.0	3.83	3.11	3.96	3.17	4.23	3.30	4.33	3.37	4.53	3.51	4.66	3.50	4.80	3.49	5.08	3.44	5.31	3.36
14.0	3.75	3.04	3.88	3.11	4.15	3.24	4.24	3.31	4.44	3.44	4.57	3.43	4.70	3.42	4.98	3.37	5.21	3.29
16.0	3.68	2.98	3.81	3.05	4.06	3.17	4.16	3.24	4.35	3.37	4.48	3.36	4.61	3.35	4.88	3.30	5.10	3.22
18.0	3.60	2.92	3.73	2.99	3.98	3.11	4.07	3.17	4.26	3.30	4.39	3.29	4.51	3.28	4.78	3.23	5.00	3.16
20.0	3.53	2.86	3.65	2.92	3.89	3.04	3.99	3.11	4.17	3.23	4.29	3.22	4.42	3.21	4.68	3.17	4.89	3.09
21.0	3.49	2.83	3.61	2.89	3.85	3.01	3.94	3.07	4.13	3.20	4.25	3.19	4.37	3.18	4.63	3.13	4.84	3.06
23.0	3.41	2.77	3.53	2.83	3.77	2.94	3.86	3.01	4.04	3.13	4.15	3.12	4.27	3.11	4.53	3.06	4.73	2.99
25.0	3.34	2.71	3.45	2.77	3.68	2.88	3.77	2.94	3.95	3.06	4.06	3.05	4.18	3.04	4.42	3.00	4.63	2.92
27.0	3.26	2.64	3.37	2.70	3.60	2.81	3.69	2.87	3.86	2.99	3.97	2.98	4.08	2.97	4.32	2.93	4.52	2.86
29.0	3.18	2.58	3.30	2.64	3.52	2.75	3.60	2.80	3.77	2.92	3.88	2.91	3.99	2.90	4.22	2.86	4.42	2.79
31.0	3.11	2.52	3.22	2.58	3.43	2.68	3.51	2.74	3.68	2.85	3.78	2.84	3.89	2.83	4.12	2.79	4.31	2.72
33.0	3.03	2.46	3.14	2.51	3.35	2.62	3.43	2.67	3.59	2.78	3.69	2.77	3.80	2.76	4.02	2.72	4.21	2.66
35.0	2.96	2.40	3.06	2.45	3.27	2.55	3.34	2.60	3.50	2.71	3.60	2.70	3.70	2.69	3.92	2.66	4.10	2.59
37.0	2.88	2.34	2.98	2.39	3.18	2.48	3.26	2.54	3.41	2.64	3.51	2.63	3.61	2.62	3.82	2.59	4.00	2.53
39.0	2.81	2.27	2.90	2.32	3.10	2.42	3.17	2.47	3.32	2.57	3.42	2.56	3.51	2.55	3.72	2.52	3.89	2.46
40.0	2.77	2.24	2.86	2.29	3.06	2.39	3.13	2.44	3.27	2.54	3.37	2.53	3.47	2.52	3.67	2.49	3.84	2.43
42.0	2.69	2.18	2.79	2.23	2.97	2.32	3.04	2.37	3.18	2.47	3.28	2.46	3.37	2.45	3.57	2.42	3.73	2.36
43.0	2.65	2.15	2.75	2.20	2.93	2.29	3.00	2.34	3.14	2.43	3.23	2.42	3.32	2.42	3.52	2.38	3.68	2.33
45.0	2.58	2.09	2.67	2.14	2.85	2.22	2.91	2.27	3.05	2.36	3.14	2.35	3.23	2.35	3.42	2.31	3.58	2.26
46.0	2.54	2.06	2.63	2.10	2.80	2.19	2.87	2.24	3.00	2.33	3.09	2.32	3.18	2.31	3.37	2.28	3.52	2.23

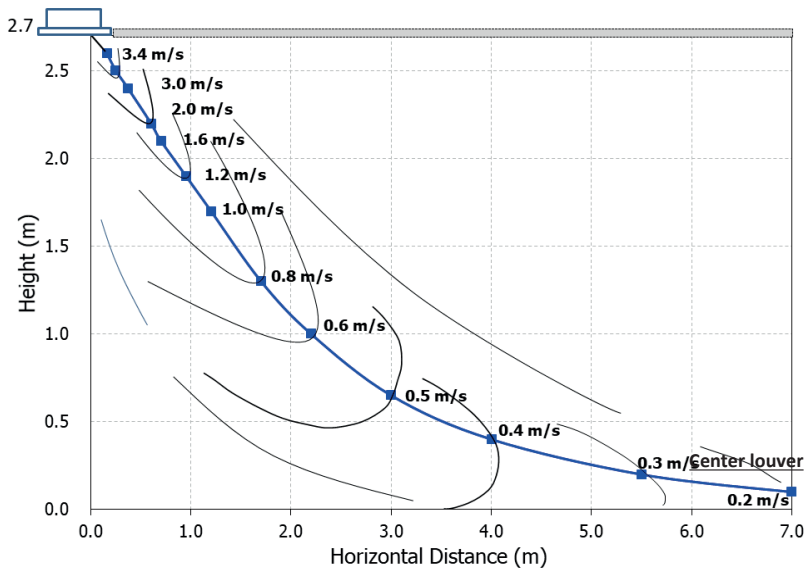
2-7-6. Air throw distance chart

RAV-HM301U1TP-E / TR

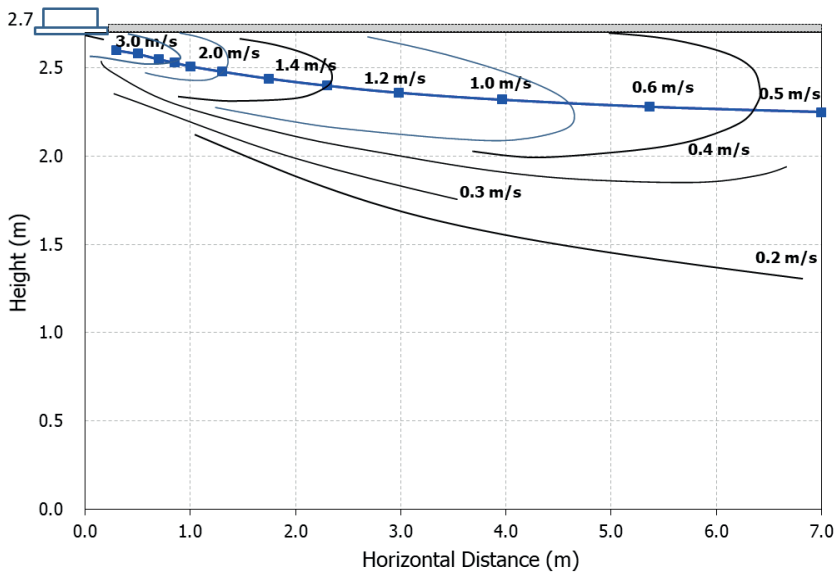


RAV-HM401U1TP-E / TR

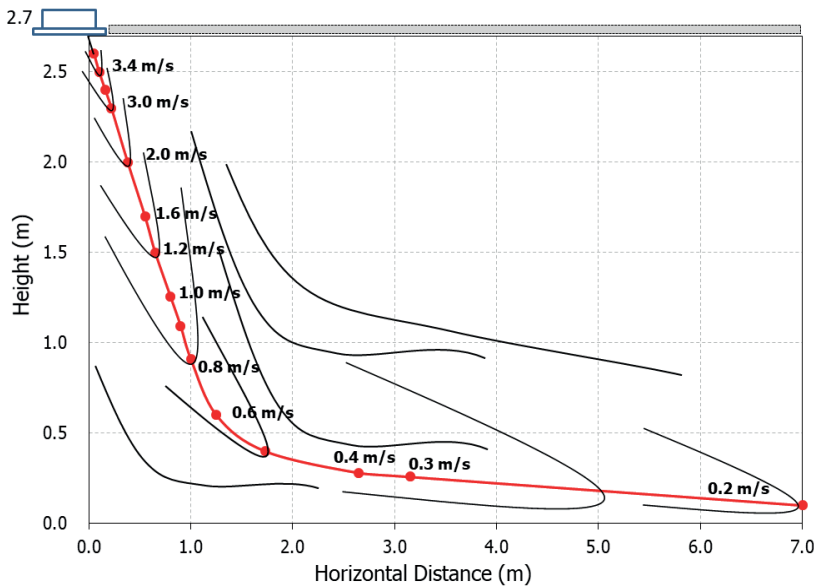
Center louver



Upper louver



Lower louver

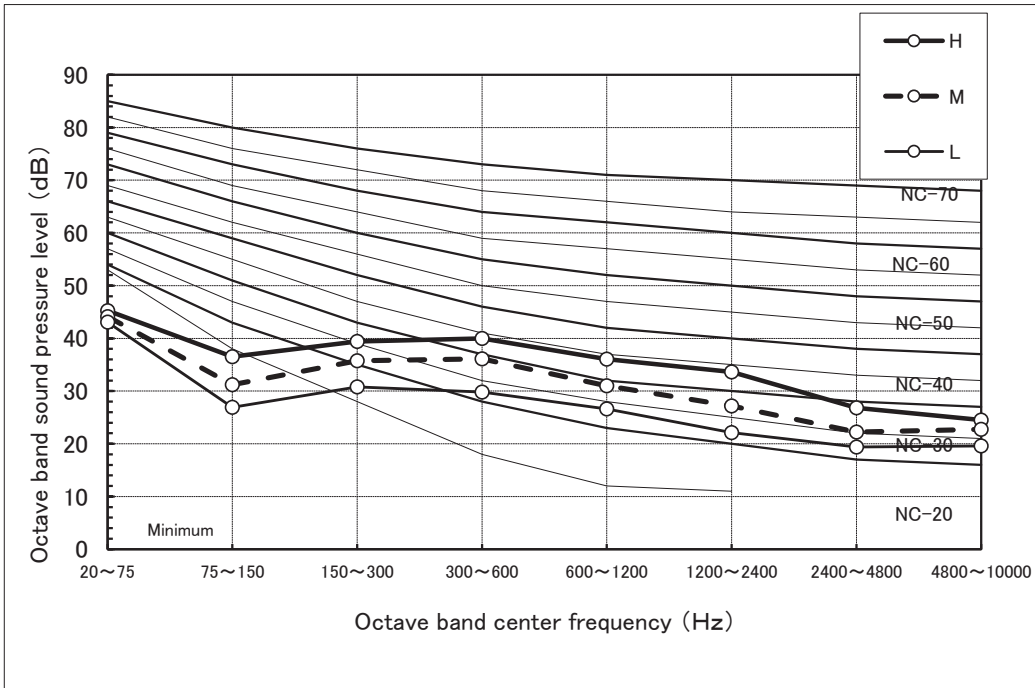


2-7-7. Sound Characteristics (NC curve)

RAV-HM301U1TP-E / TR

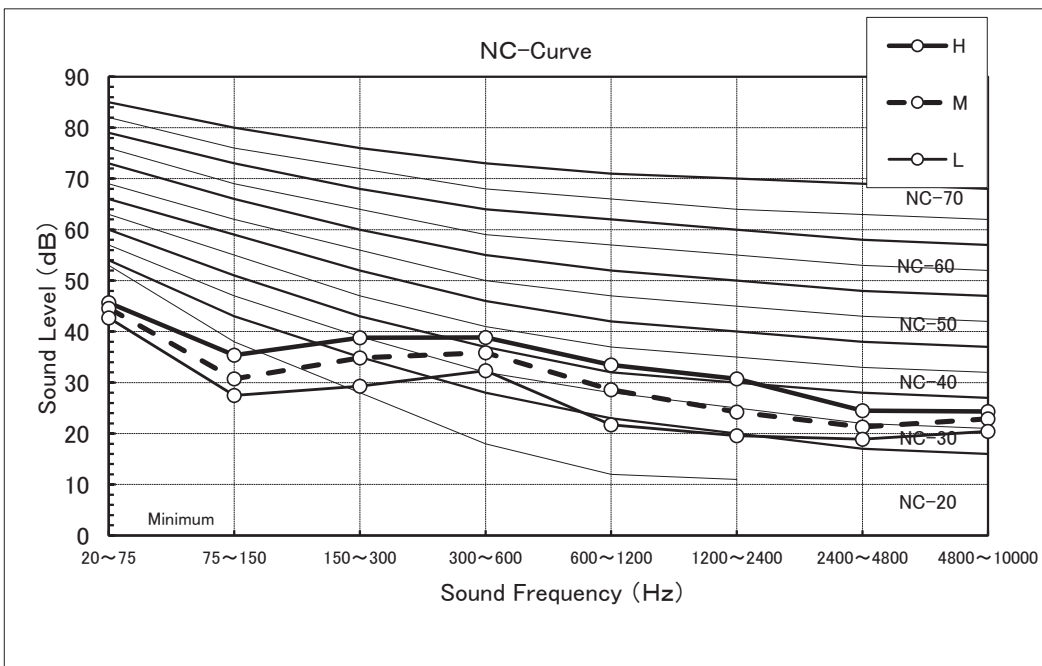
Cooling

Specification (dB)			
Fan tap	H	M	L
Sound pressure level (dB(A))	39	35	30



Heating

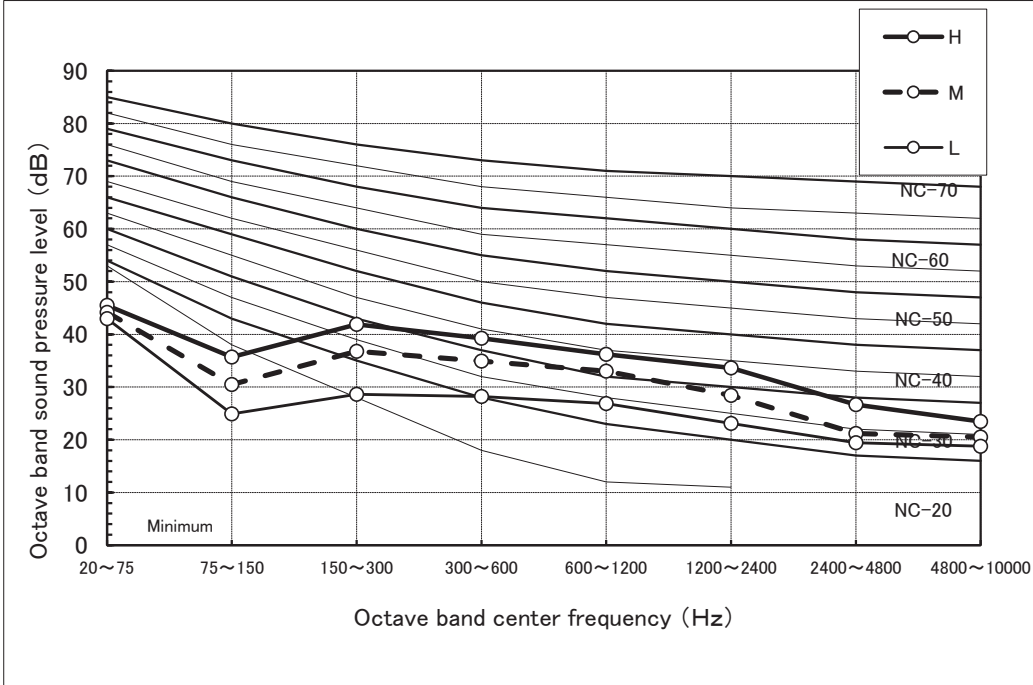
Specification (dB)			
Fan tap	H	M	L
Sound pressure level (dB(A))	39	35	30



RAV-HM401U1TP-E / TR

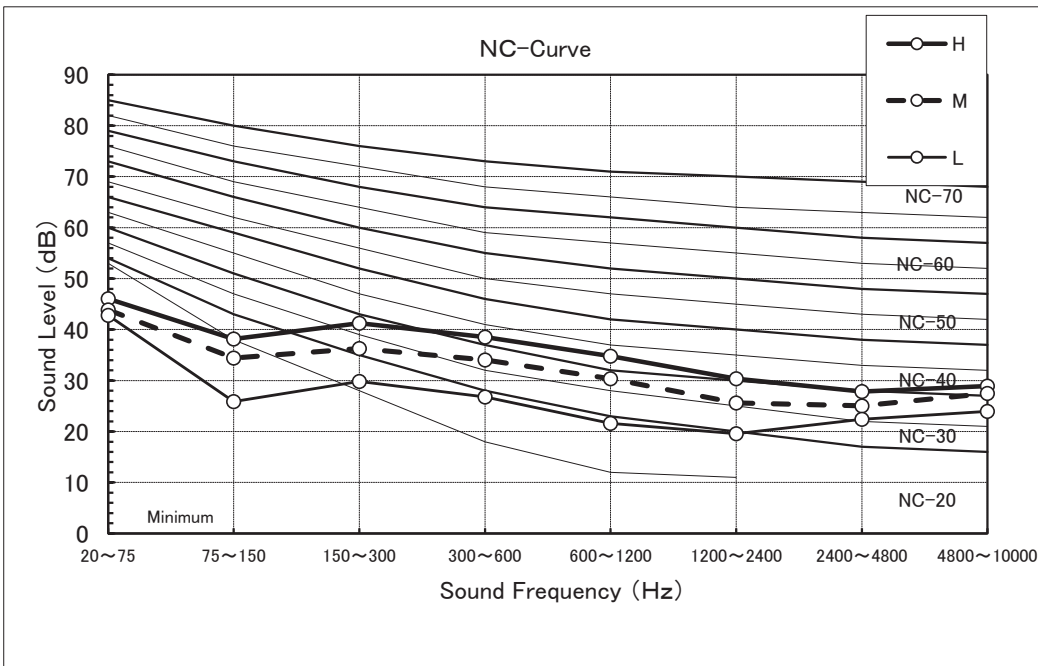
Cooling

Specification (dB)			
Fan tap	H	M	L
Sound pressure level (dB(A))	40	36	30



Heating

Specification (dB)			
Fan tap	H	M	L
Sound pressure level (dB(A))	40	36	30



2-8. Compact slim duct type

2-8-1. Specifications

2-8-2. Dimension

2-8-3. Wiring Diagrams

2-8-4. Sensible Capacity Table

2-8-5. Part Load Performance

2-8-6. Fan Static Characteristic

2-8-7. Sound Characteristics (NC Curve)

2-8-1. Specifications

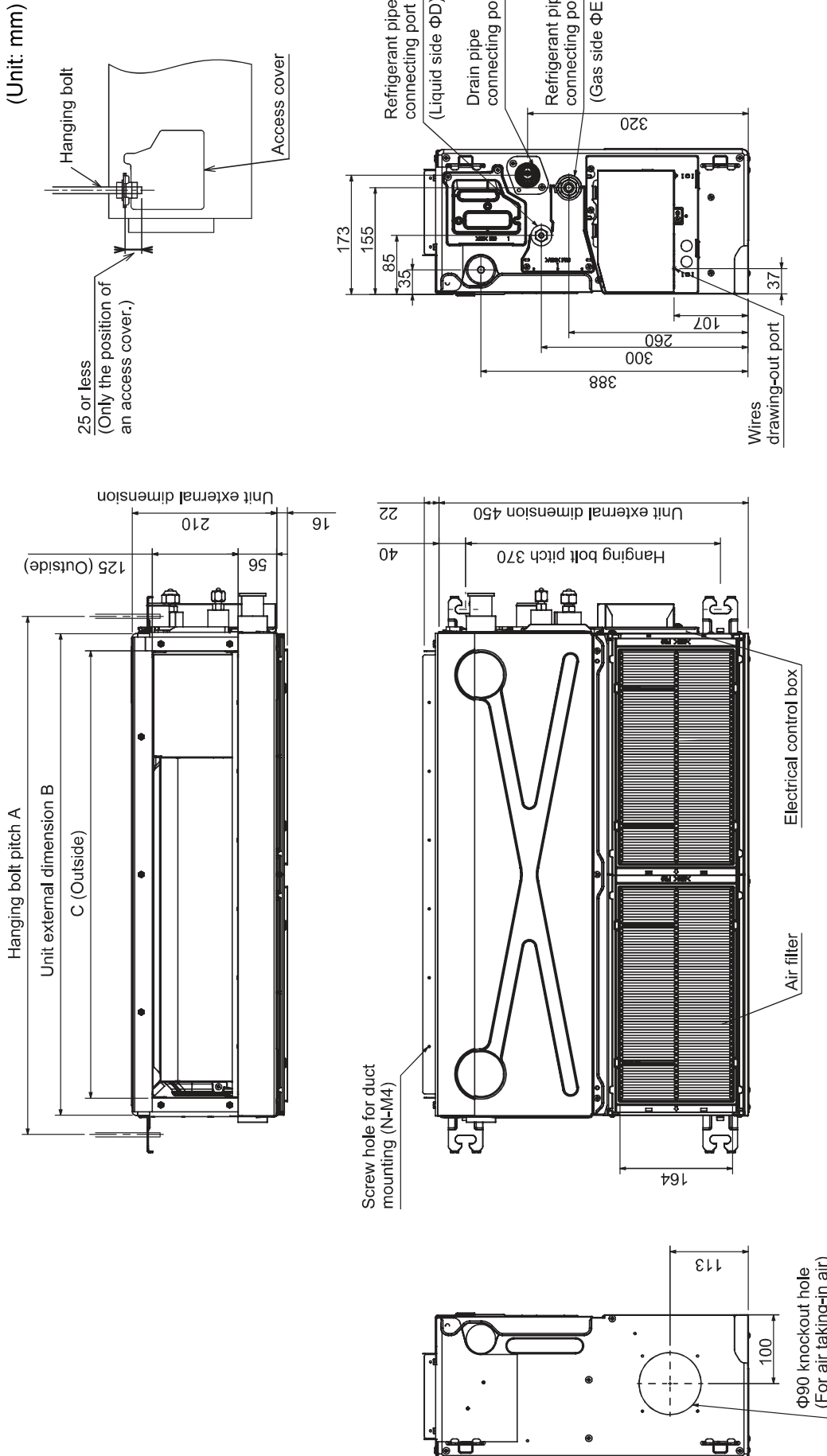
Compact Slim Duct <Single type>

Model name	Indoor unit1			RAV-HM301SDTY-E	RAV-HM401SDTY-E	
	Outdoor unit			RAV-GM302ATP-E	RAV-GM402ATP-E	
Cooling capacity				kW	2.5<0.9-3.0>	3.6<0.9-4.0>
Heating capacity				kW	3.4<0.8-4.5>	4.0<0.8-5.0>
Power supply				1 phase 220V-240V, 50Hz		
Electrical characteristics	Cooling	Running current		A	2.82-2.60	4.60-4.20
		Power consumption		kW	0.56(0.19-0.92)	0.93 (0.18-2.00)
		Power factor		%	90	92
		EER			4.46	3.87
		SEER			6.41	6.03
		Energy star rating			A++	A+
	Heating	Running current		A	4.2-3.85	4.75-4.35
		Power consumption		kW	0.86(0.17-1.40)	0.97(0.17-1.70)
		Power factor		%	93	93
		COP			3.95	4.12
		SCOP			4.35	4.00
Energy star rating			A+	A+		
Maximum current			A	7.9	9.2	
Appearance	Main unit			Zinc hot dipping steel plate	Zinc hot dipping steel plate	
Outer dimension	Main unit		Height	mm	210	210
			Width	mm	700	700
			Depth	mm	450	450
Total weight	Main unit			kg	15	15
Heat exchanger				Finned tube	Finned tube	
Fan unit	Fan			Centrifugal fan	Centrifugal fan	
	Standard air flow		H/M/L	m3/min	9.5/8.3/7.0	10/8.7/7.3
	Motor			W	50	50
Air filter				Standard filter(Long life filter)	Standard filter(Long life filter)	
Controller (packed with indoor unit)				-	-	
Controller (sold separately)				RBC-ASCU11-E	RBC-ASCU11-E	
Sound pressure level	Cooling/Heating			dB(A)	32/29/26	33/30/27
Sound power level	Cooling/Heating			dB(A)	54/50/46	54/50/46
Connecting pipe	Gas side			mm	9.5	12.7
	Liquid side			mm	6.4	6.4
	Drain port			mm	25(Polyvinyl chloride tube)	25(Polyvinyl chloride tube)

Model name	Indoor unit1			RAV-HM561SDTY-E/TR	
	Outdoor unit			RAV-GM562ATP-E/TR	
Cooling capacity	kW			5.0<1.5-5.6>	
Heating capacity	kW			5.3<1.5-6.3>	
Power supply	1 phase 220V-240V, 50Hz				
Electrical characteristics	Cooling	Running current		A	8.98-8.20
		Power consumption		kW	1.86(0.28-2.05)
		Power factor		%	97
		EER			2.69
		SEER			5.80
		Energy star rating			A+
	Heating	Running current		A	7.03-6.44
		Power consumption		kW	1.5(0.22-2.40)
		Power factor		%	97
		COP			3.53
		SCOP			4.00
Energy star rating			A+		
Maximum current			A	15.5	
Appearance	Main unit			Zinc hot dipping steel plate	
Outer dimension	Main unit	Height	mm	210	
		Width	mm	900	
		Depth	mm	450	
Total weight	Main unit			kg	19
Heat exchanger	Finned tube				
Fan unit	Fan			Centrifugal fan	
	Standard air flow	H/M/L	m ³ /min	13.0/12.2/10.8	
	Motor		W	94	
Air filter	Standard filter(Long life filter)				
Controller (packed with indoor unit)	-				
Controller (sold separately)	RBC-ASCU11-E				
Sound pressure level	Cooling/Heating		dB(A)	34/32/29	
Sound power level	Cooling/Heating		dB(A)	56/54/51	
Connecting pipe	Gas side		mm	12.7	
	Liquid side		mm	6.4	
	Drain port		mm	25(Polyvinyl chloride tube)	

2-8-2. Dimension

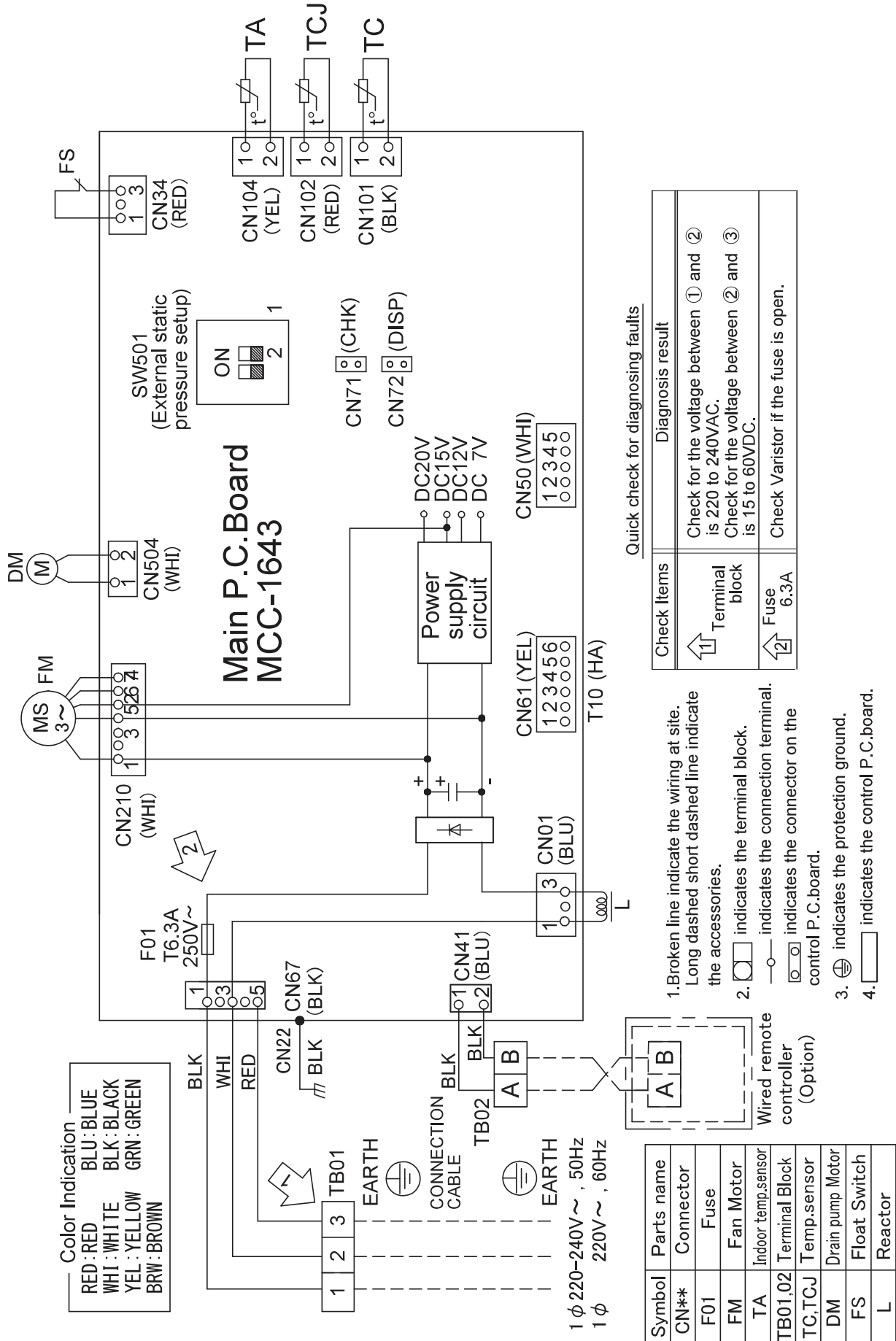
RAV-HM*__1SDTY-E / TR (*30 / 40 / 56)



Model type	A	B	C	D	E
301	770	700	650	6.4	9.5
401	770	700	650	6.4	12.7
561	970	900	850	6.4	12.7

2-8-3. Wiring diagrams

RAV-HM* __1SDTY-E / TR (*30 / 40 / 56)



2-8-4. Sensible Capacity Table

Product models : RAV-HM301SDTY-E ; RAV-GM302ATP-E

Standard Condition

Indoor	27.0 °C DB / 19.0 °C WB
Outdoor	35.0 °C DB / 24.0 °C WB

Specification of product at standard condition

Total Cooling Capacity (TC)	2.50	kW
Sensible Heat Capacity (SHC)	2.10	kW

Outdoor air temp.	Indoor Air temperature																	
	14.0 °C WB		15.0 °C WB		16.0 °C WB		17.0 °C WB		18.0 °C WB		19.0 °C WB		20.0 °C WB		22.0 °C WB		24.0 °C WB	
	20.0 °C DB		21.0 °C DB		23.0 °C DB		24.0 °C DB		26.0 °C DB		27.0 °C DB		28.0 °C DB		30.0 °C DB		32.0 °C DB	
°C DB	TC	SHC	TC	SHC	TC	SHC	TC	SHC	TC	SHC	TC	SHC	TC	SHC	TC	SHC	TC	SHC
10.0	2.71	2.44	2.81	2.50	3.00	2.61	3.07	2.66	3.21	2.77	3.30	2.77	3.40	2.78	3.60	2.76	3.76	2.72
12.0	2.66	2.40	2.75	2.45	2.94	2.56	3.01	2.61	3.15	2.72	3.24	2.72	3.33	2.72	3.53	2.71	3.69	2.66
14.0	2.61	2.35	2.70	2.40	2.88	2.51	2.95	2.56	3.08	2.67	3.17	2.67	3.26	2.67	3.46	2.65	3.62	2.61
16.0	2.55	2.30	2.64	2.35	2.82	2.46	2.89	2.51	3.02	2.61	3.11	2.61	3.20	2.61	3.39	2.60	3.54	2.56
18.0	2.50	2.25	2.59	2.31	2.76	2.41	2.83	2.46	2.96	2.56	3.05	2.56	3.13	2.56	3.32	2.55	3.47	2.50
20.0	2.45	2.21	2.53	2.26	2.70	2.36	2.77	2.41	2.90	2.51	2.98	2.50	3.07	2.51	3.25	2.49	3.40	2.45
21.0	2.42	2.18	2.51	2.23	2.68	2.33	2.74	2.38	2.86	2.48	2.95	2.48	3.03	2.48	3.21	2.46	3.36	2.43
23.0	2.37	2.13	2.45	2.18	2.62	2.28	2.68	2.33	2.80	2.42	2.89	2.42	2.97	2.43	3.14	2.41	3.29	2.37
25.0	2.32	2.09	2.40	2.14	2.56	2.23	2.62	2.28	2.74	2.37	2.82	2.37	2.90	2.37	3.07	2.36	3.21	2.32
27.0	2.26	2.04	2.34	2.09	2.50	2.18	2.56	2.22	2.68	2.32	2.76	2.32	2.84	2.32	3.00	2.30	3.14	2.27
29.0	2.21	1.99	2.29	2.04	2.44	2.13	2.50	2.17	2.62	2.26	2.69	2.26	2.77	2.26	2.93	2.25	3.07	2.21
31.0	2.16	1.94	2.23	1.99	2.38	2.08	2.44	2.12	2.55	2.21	2.63	2.21	2.70	2.21	2.86	2.20	2.99	2.16
33.0	2.11	1.90	2.18	1.94	2.33	2.03	2.38	2.07	2.49	2.15	2.56	2.15	2.64	2.16	2.79	2.14	2.92	2.11
35.0	2.05	1.85	2.12	1.89	2.27	1.98	2.32	2.02	2.43	2.10	2.50	2.10	2.57	2.10	2.72	2.09	2.85	2.06
37.0	2.00	1.80	2.07	1.84	2.21	1.92	2.26	1.97	2.37	2.05	2.44	2.05	2.51	2.05	2.65	2.04	2.78	2.00
39.0	1.95	1.75	2.02	1.80	2.15	1.87	2.20	1.91	2.30	1.99	2.37	1.99	2.44	1.99	2.58	1.98	2.70	1.95
40.0	1.92	1.73	1.99	1.77	2.12	1.85	2.17	1.89	2.27	1.97	2.34	1.97	2.41	1.97	2.55	1.96	2.67	1.92
42.0	1.87	1.68	1.93	1.72	2.06	1.80	2.11	1.84	2.21	1.91	2.28	1.91	2.34	1.91	2.48	1.90	2.59	1.87
43.0	1.84	1.66	1.91	1.70	2.03	1.77	2.08	1.81	2.18	1.88	2.24	1.88	2.31	1.89	2.44	1.87	2.56	1.85
45.0	1.79	1.61	1.85	1.65	1.98	1.72	2.02	1.76	2.12	1.83	2.18	1.83	2.24	1.83	2.37	1.82	2.48	1.79
46.0	1.76	1.59	1.82	1.63	1.95	1.70	1.99	1.73	2.09	1.80	2.15	1.80	2.21	1.80	2.34	1.79	2.45	1.77

Product models : RAV-HM401SDTY-E ; RAV-GM402ATP-E

Standard Condition

Indoor	27.0 °C DB / 19.0 °C WB
Outdoor	35.0 °C DB / 24.0 °C WB

Specification of product at standard condition

Total Cooling Capacity (TC)	3.60	kW
Sensible Heat Capacity (SHC)	3.00	kW

Outdoor air temp.	Indoor Air temperature																	
	14.0 °C WB		15.0 °C WB		16.0 °C WB		17.0 °C WB		18.0 °C WB		19.0 °C WB		20.0 °C WB		22.0 °C WB		24.0 °C WB	
	20.0 °C DB		21.0 °C DB		23.0 °C DB		24.0 °C DB		26.0 °C DB		27.0 °C DB		28.0 °C DB		30.0 °C DB		32.0 °C DB	
°C DB	TC	SHC	TC	SHC	TC	SHC	TC	SHC	TC	SHC	TC	SHC	TC	SHC	TC	SHC	TC	SHC
10.0	3.91	3.49	4.04	3.57	4.31	3.73	4.42	3.81	4.62	3.96	4.76	3.96	4.89	3.96	5.18	3.94	5.42	3.87
12.0	3.83	3.42	3.96	3.50	4.23	3.66	4.33	3.73	4.53	3.89	4.66	3.89	4.80	3.89	5.08	3.86	5.31	3.80
14.0	3.75	3.36	3.88	3.43	4.15	3.58	4.24	3.66	4.44	3.81	4.57	3.81	4.70	3.81	4.98	3.79	5.21	3.72
16.0	3.68	3.29	3.81	3.37	4.06	3.51	4.16	3.59	4.35	3.73	4.48	3.73	4.61	3.73	4.88	3.71	5.10	3.65
18.0	3.60	3.22	3.73	3.30	3.98	3.44	4.07	3.51	4.26	3.66	4.39	3.65	4.51	3.66	4.78	3.63	5.00	3.57
20.0	3.53	3.15	3.65	3.23	3.89	3.37	3.99	3.44	4.17	3.58	4.29	3.58	4.42	3.58	4.68	3.56	4.89	3.50
21.0	3.49	3.12	3.61	3.19	3.85	3.33	3.94	3.40	4.13	3.54	4.25	3.54	4.37	3.54	4.63	3.52	4.84	3.46
23.0	3.41	3.05	3.53	3.12	3.77	3.26	3.86	3.33	4.04	3.46	4.15	3.46	4.27	3.46	4.53	3.44	4.73	3.39
25.0	3.34	2.98	3.45	3.05	3.68	3.18	3.77	3.25	3.95	3.39	4.06	3.39	4.18	3.39	4.42	3.37	4.63	3.31
27.0	3.26	2.92	3.37	2.98	3.60	3.11	3.69	3.18	3.86	3.31	3.97	3.31	4.08	3.31	4.32	3.29	4.52	3.23
29.0	3.18	2.85	3.30	2.91	3.52	3.04	3.60	3.10	3.77	3.23	3.88	3.23	3.99	3.23	4.22	3.21	4.42	3.16
31.0	3.11	2.78	3.22	2.84	3.43	2.97	3.51	3.03	3.68	3.16	3.78	3.15	3.89	3.16	4.12	3.14	4.31	3.08
33.0	3.03	2.71	3.14	2.77	3.35	2.89	3.43	2.96	3.59	3.08	3.69	3.08	3.80	3.08	4.02	3.06	4.21	3.01
35.0	2.96	2.64	3.06	2.71	3.27	2.82	3.34	2.88	3.50	3.00	3.60	3.00	3.70	3.00	3.92	2.98	4.10	2.93
37.0	2.88	2.58	2.98	2.64	3.18	2.75	3.26	2.81	3.41	2.92	3.51	2.92	3.61	2.92	3.82	2.91	4.00	2.86
39.0	2.81	2.51	2.90	2.57	3.10	2.68	3.17	2.73	3.32	2.85	3.42	2.85	3.51	2.85	3.72	2.83	3.89	2.78
40.0	2.77	2.47	2.86	2.53	3.06	2.64	3.13	2.70	3.27	2.81	3.37	2.81	3.47	2.81	3.67	2.79	3.84	2.75
42.0	2.69	2.41	2.79	2.46	2.97	2.57	3.04	2.62	3.18	2.73	3.28	2.73	3.37	2.73	3.57	2.71	3.73	2.67
43.0	2.65	2.37	2.75	2.43	2.93	2.53	3.00	2.59	3.14	2.69	3.23	2.69	3.32	2.69	3.52	2.68	3.68	2.63
45.0	2.58	2.30	2.67	2.36	2.85	2.46	2.91	2.51	3.05	2.62	3.14	2.62	3.23	2.62	3.42	2.60	3.58	2.56
46.0	2.54	2.27	2.63	2.32	2.80	2.42	2.87	2.48	3.00	2.58	3.09	2.58	3.18	2.58	3.37	2.56	3.52	2.52

Product models : RAV-HM561SDTY-E/TR ; RAV-GM562ATP-E/TR

Standard Condition

Indoor	27.0 °C DB / 19.0 °C WB
Outdoor	35.0 °C DB / 24.0 °C WB

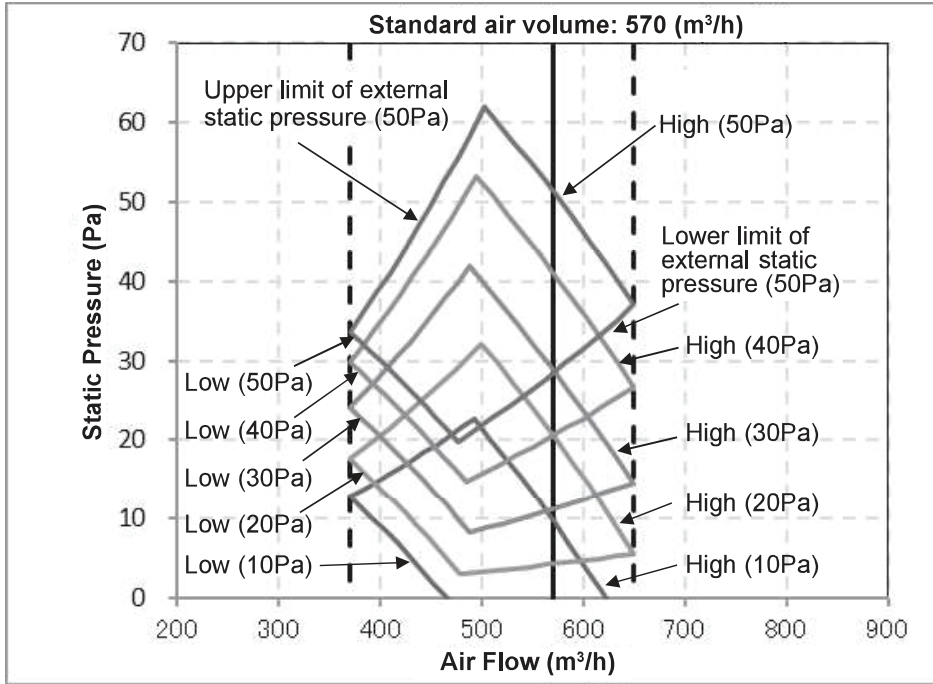
Specification of product at standard condition

Total Cooling Capacity (TC)	5.00	KW
Sensible Heat Capacity (SHC)	3.80	KW

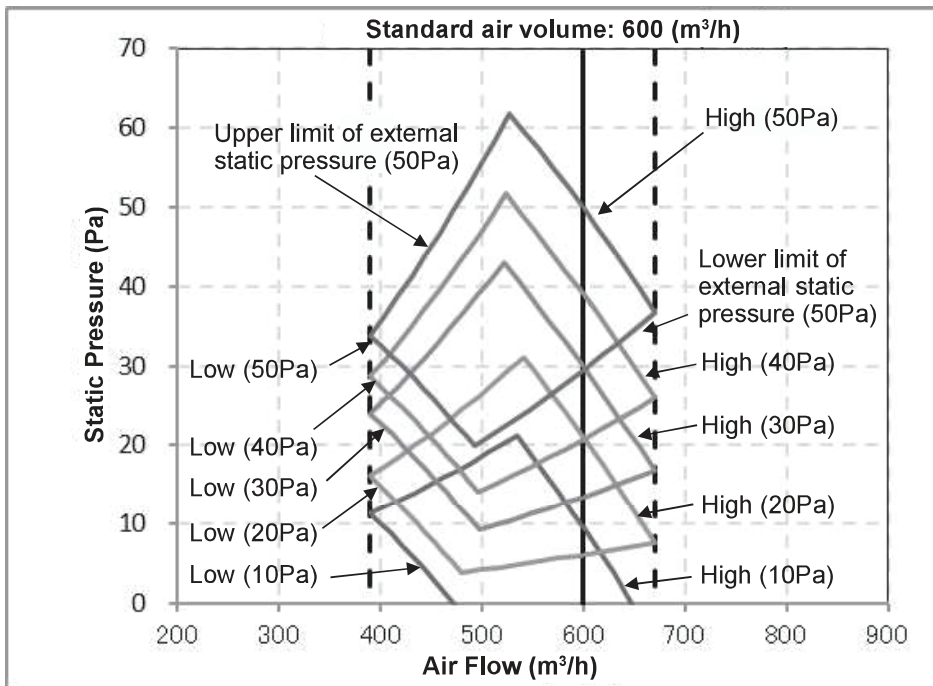
Outdoor air temp.	Indoor Air temperature																	
	14.0 °C WB		15.0 °C WB		16.0 °C WB		17.0 °C WB		18.0 °C WB		19.0 °C WB		20.0 °C WB		22.0 °C WB		24.0 °C WB	
	20.0 °C DB		21.0 °C DB		23.0 °C DB		24.0 °C DB		26.0 °C DB		27.0 °C DB		28.0 °C DB		30.0 °C DB		32.0 °C DB	
°C DB	TC	SHC	TC	SHC	TC	SHC	TC	SHC	TC	SHC	TC	SHC	TC	SHC	TC	SHC	TC	SHC
10.0	5.42	4.44	5.61	4.54	5.99	4.74	6.13	4.83	6.42	5.03	6.80	5.02	6.79	5.01	7.19	4.96	7.52	4.85
12.0	5.32	4.36	5.50	4.45	5.87	4.64	6.01	4.74	6.29	4.93	6.48	4.92	6.66	4.91	7.05	4.86	7.38	4.75
14.0	5.21	4.27	5.40	4.37	5.76	4.55	5.89	4.65	6.17	4.83	6.35	4.82	6.53	4.81	6.91	4.76	7.23	4.67
16.0	5.11	4.19	5.29	4.28	5.64	4.46	5.78	4.55	6.04	4.74	6.22	4.73	6.40	4.72	6.77	4.67	7.09	4.57
18.0	5.00	4.10	5.18	4.19	5.52	4.37	5.66	4.46	5.92	4.64	6.09	4.63	6.27	4.62	6.63	4.57	6.94	4.47
20.0	4.90	4.01	5.07	4.10	5.41	4.28	5.54	4.37	5.79	4.54	5.96	4.53	6.13	4.52	6.49	4.47	6.79	4.38
21.0	4.84	3.97	5.01	4.06	5.35	4.23	5.48	4.32	5.73	4.49	5.90	4.48	6.07	4.47	6.43	4.42	6.72	4.34
23.0	4.74	3.88	4.90	3.97	5.23	4.13	5.36	4.22	5.60	4.39	5.77	4.38	5.94	4.37	6.29	4.33	6.57	4.24
25.0	4.63	3.80	4.80	3.88	5.12	4.04	5.24	4.13	5.48	4.30	5.64	4.29	5.80	4.28	6.15	4.24	6.43	4.14
27.0	4.53	3.71	4.69	3.79	5.00	3.96	5.12	4.03	5.36	4.20	5.51	4.19	5.67	4.18	6.01	4.14	6.28	4.05
29.0	4.42	3.62	4.58	3.70	4.88	3.86	5.00	3.95	5.23	4.10	5.39	4.09	5.54	4.08	5.87	4.04	6.14	3.96
31.0	4.32	3.54	4.47	3.61	4.77	3.77	4.88	3.85	5.11	4.00	5.26	3.99	5.41	3.99	5.73	3.95	5.99	3.86
33.0	4.21	3.45	4.36	3.53	4.65	3.67	4.76	3.75	4.98	3.91	5.13	3.90	5.28	3.89	5.59	3.85	5.84	3.77
35.0	4.11	3.36	4.25	3.44	4.54	3.59	4.64	3.66	4.86	3.81	5.00	3.80	5.14	3.79	5.45	3.75	5.70	3.67
37.0	4.00	3.27	4.14	3.35	4.42	3.49	4.52	3.57	4.73	3.71	4.87	3.70	5.01	3.69	5.31	3.65	5.55	3.58
39.0	3.90	3.20	4.03	3.26	4.30	3.40	4.40	3.47	4.61	3.61	4.74	3.61	4.88	3.60	5.17	3.56	5.40	3.49
40.0	2.65	2.17	2.75	2.22	2.93	2.32	3.00	2.37	3.14	2.47	3.23	2.46	3.32	2.46	3.52	2.43	3.68	2.38
42.0	2.43	1.99	2.51	2.04	2.68	2.12	2.75	2.16	2.87	2.25	2.96	2.25	3.04	2.24	3.22	2.22	3.37	2.17
43.0	2.32	1.90	2.40	1.94	2.56	2.03	2.62	2.07	2.74	2.15	2.82	2.14	2.90	2.14	3.07	2.11	3.22	2.08
45.0	1.38	1.13	1.43	1.16	1.52	1.20	1.56	1.23	1.63	1.28	1.68	1.28	1.73	1.28	1.83	1.26	1.91	1.24
46.0	1.27	1.04	1.31	1.06	1.40	1.10	1.43	1.13	1.50	1.18	1.54	1.17	1.59	1.17	1.68	1.16	1.76	1.13

2-8-6. Fan static characteristic

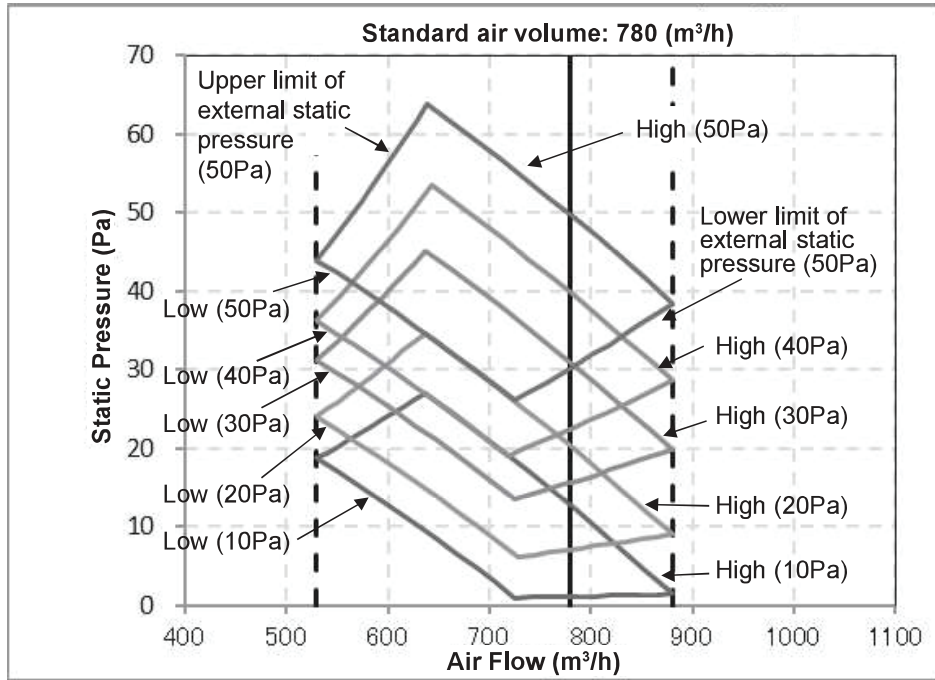
RAV-HM301SDTY-E



RAV-HM401SDTY-E

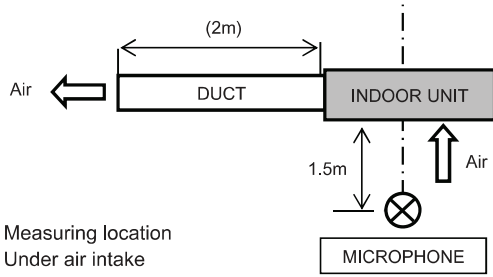


RAV-HM561SDTY-E/TR



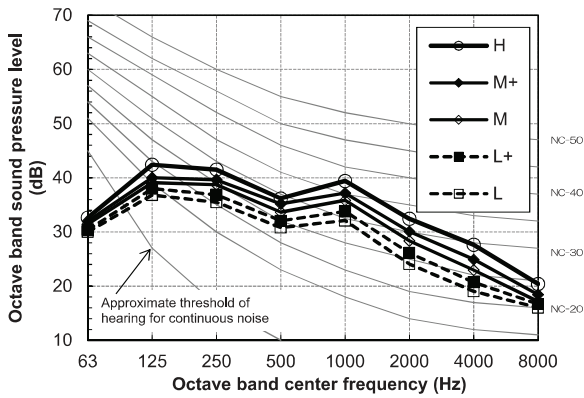
2-8-7. Sound Characteristics (NC curve)

RAV-HM301SDTY-E

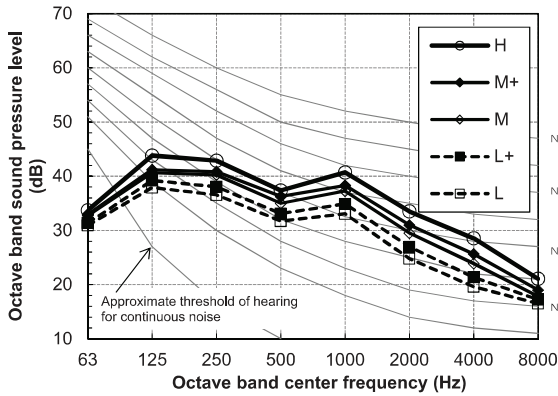


ESP (Pa)	Sound Pressure Level (dBA)				
	H	M+	M	L+	L
10	42	41	40	38	36
20	43	42	41	39	37
30	44	43	42	40	38
40	44	43	42	40	38
50	45	44	43	41	39

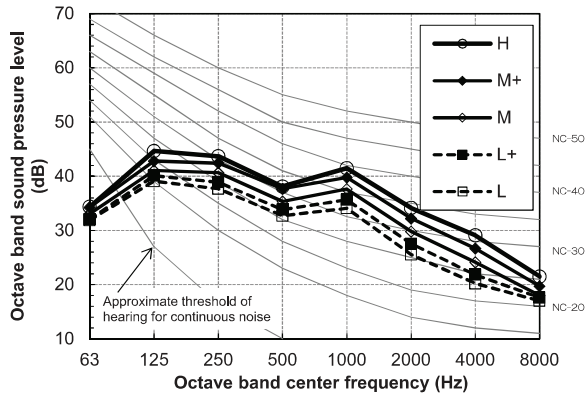
External static pressure 10 Pa



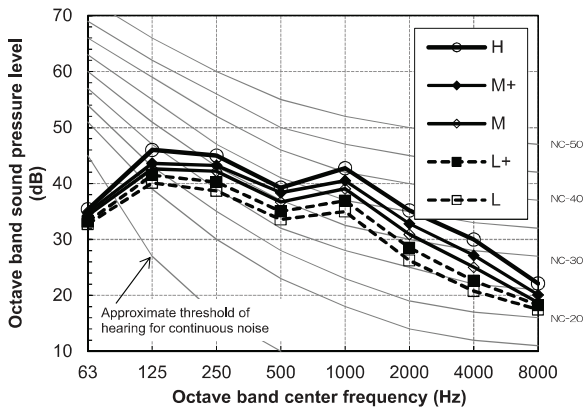
External static pressure 20 Pa



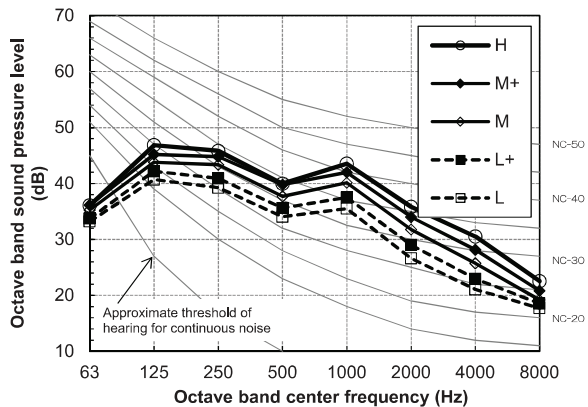
External static pressure 30 Pa



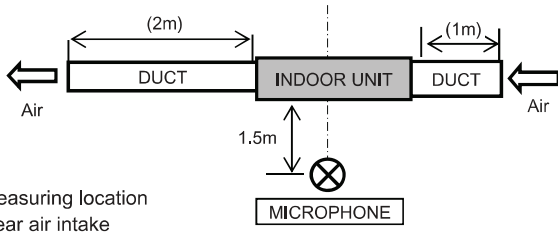
External static pressure 40 Pa



External static pressure 50 Pa

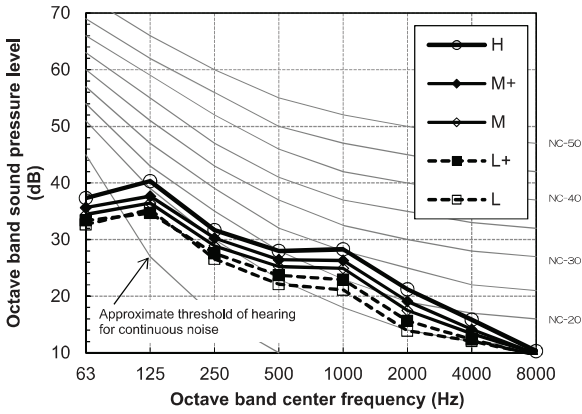


RAV-HM301SDTY-E

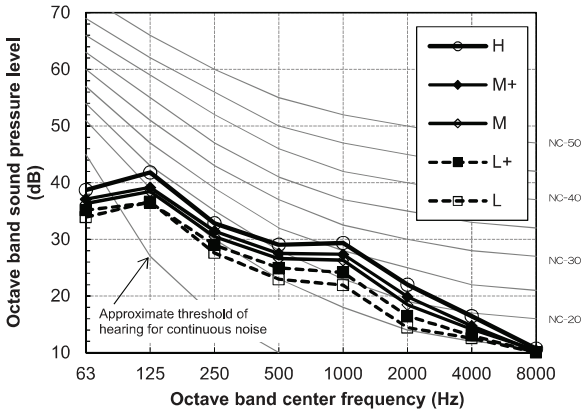


ESP (Pa)	Sound Pressure Level (dBA)				
	H	M+	M	L+	L
10	32	31	29	28	26
20	33	32	30	29	27
30	34	33	31	30	28
40	34	33	31	30	28
50	35	34	32	31	29

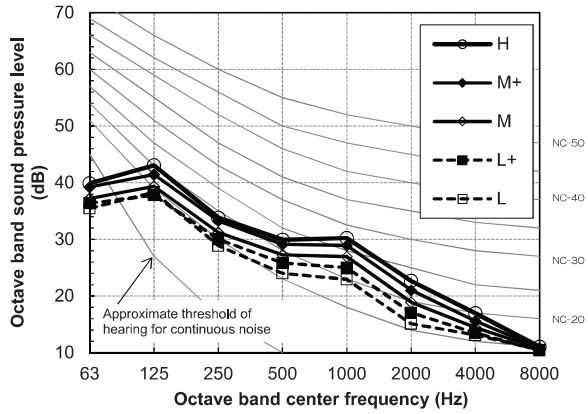
External static pressure 10 Pa



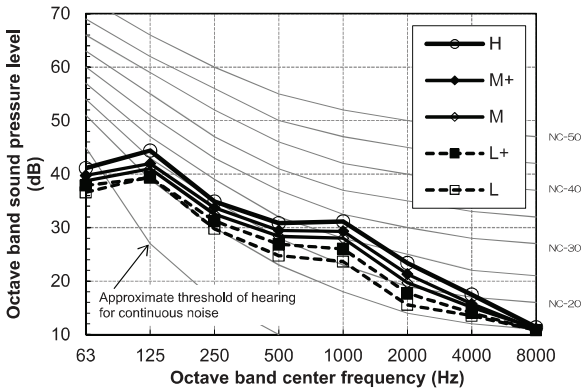
External static pressure 20 Pa



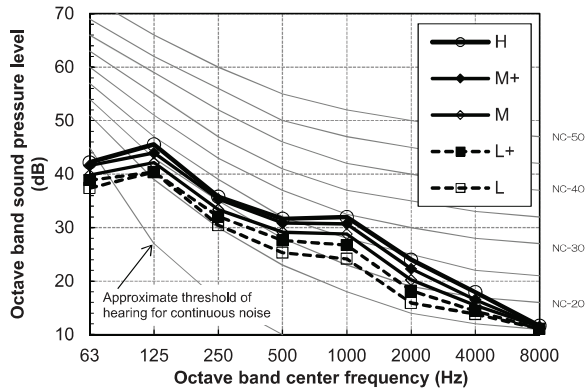
External static pressure 30 Pa



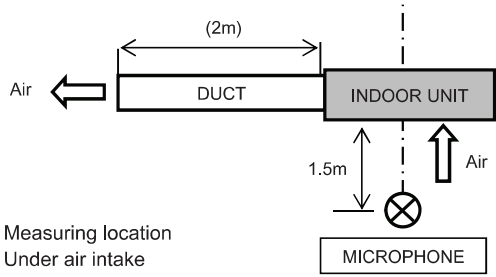
External static pressure 40 Pa



External static pressure 50 Pa

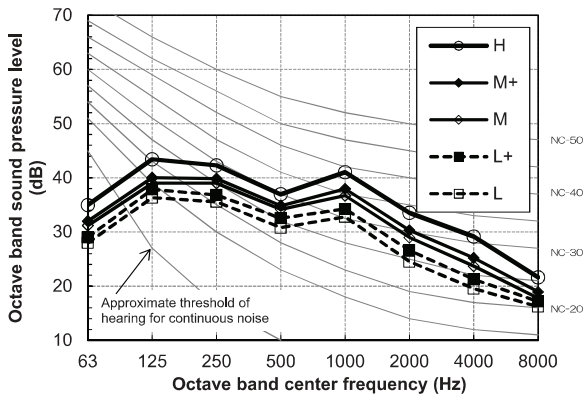


RAV-HM401SDTY-E

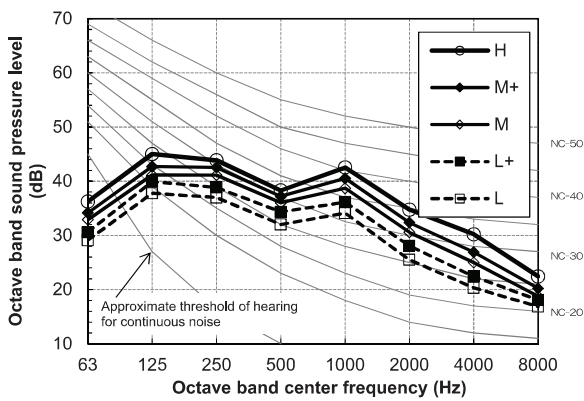


ESP (Pa)	Sound Pressure Level (dBA)				
	H	M+	M	L+	L
10	44	42	40	39	37
20	45	43	41	40	38
30	46	44	42	41	39
40	46	44	42	41	39
50	47	45	43	42	40

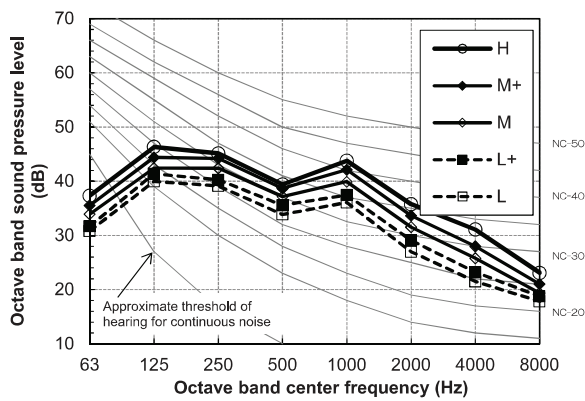
External static pressure 10 Pa



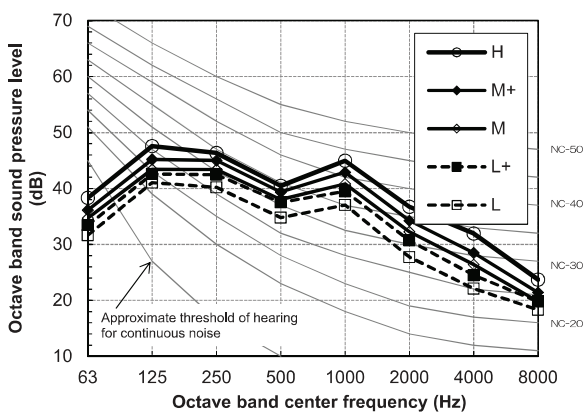
External static pressure 20 Pa



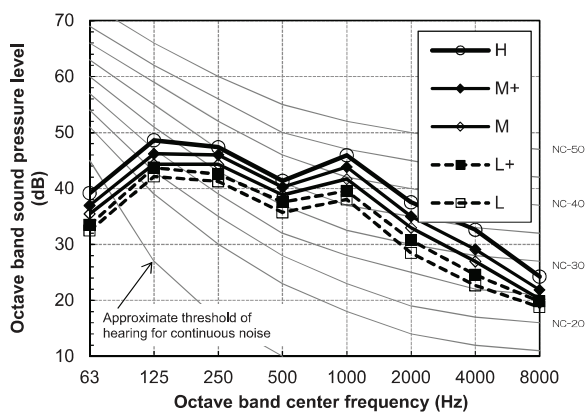
External static pressure 30 Pa



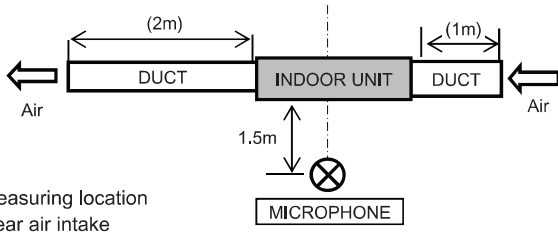
External static pressure 40 Pa



External static pressure 50 Pa

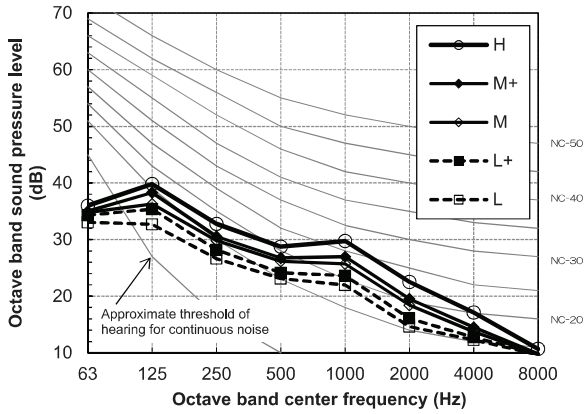


RAV-HM401SDTY-E

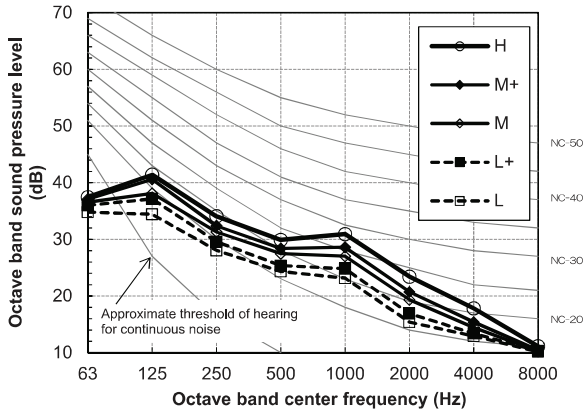


ESP (Pa)	Sound Pressure Level (dBA)				
	H	M+	M	L+	L
10	33	32	30	29	27
20	34	33	31	30	28
30	35	34	32	31	29
40	35	34	32	31	29
50	36	35	33	32	30

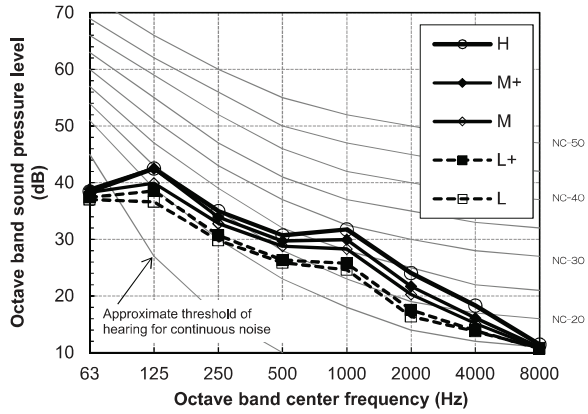
External static pressure 10 Pa



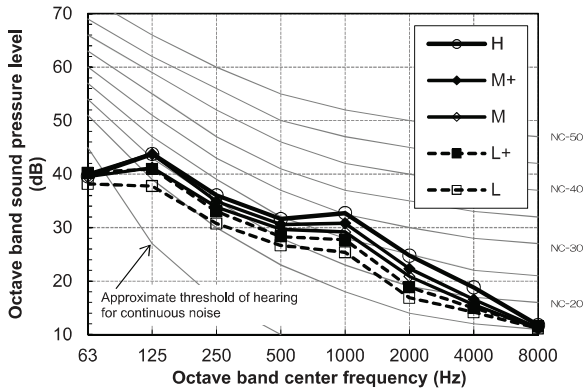
External static pressure 20 Pa



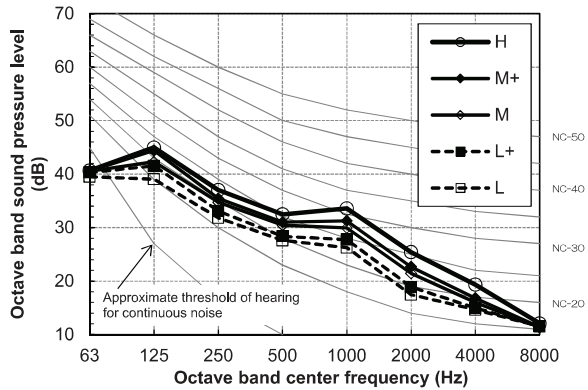
External static pressure 30 Pa



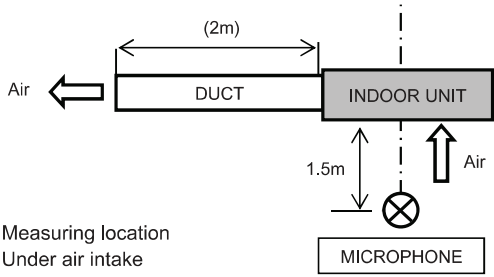
External static pressure 40 Pa



External static pressure 50 Pa

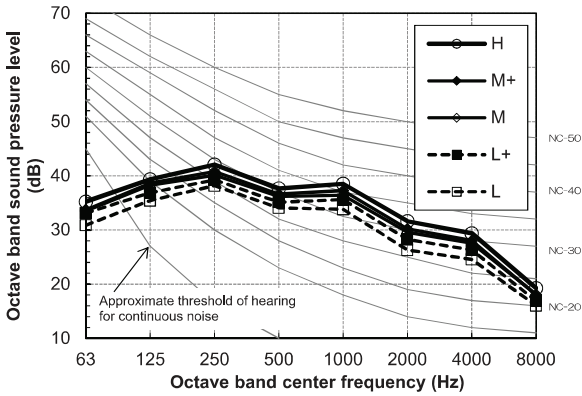


RAV-HM561SDTY-E/TR

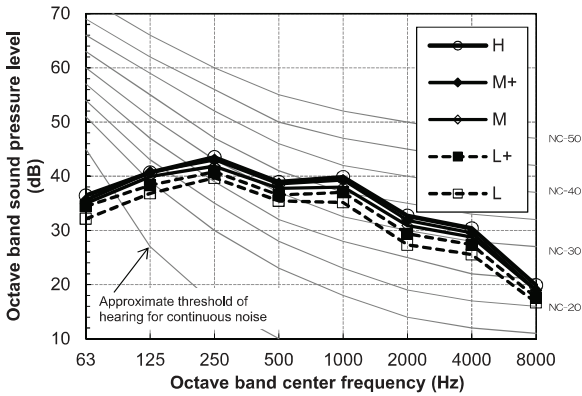


ESP (Pa)	Sound Pressure Level (dBA)				
	H	M+	M	L+	L
10	44	43	42	41	39
20	45	44	43	42	40
30	46	45	44	43	41
40	46	45	44	43	41
50	47	46	45	44	42

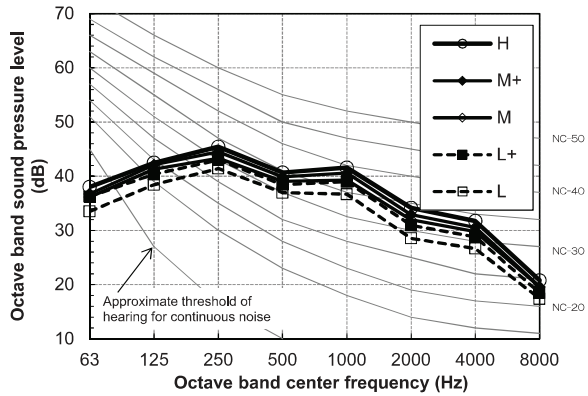
External static pressure 10 Pa



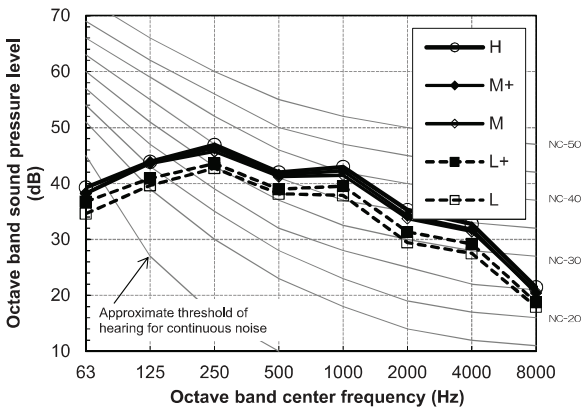
External static pressure 20 Pa



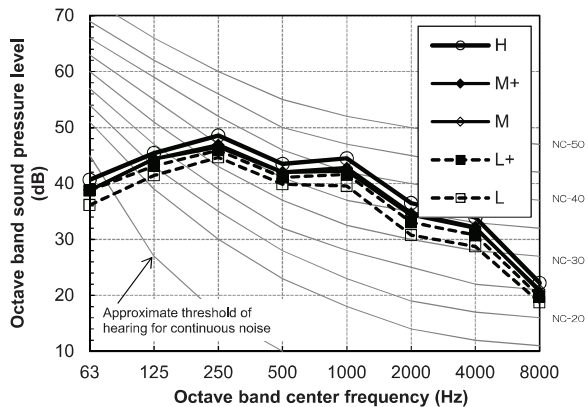
External static pressure 30 Pa



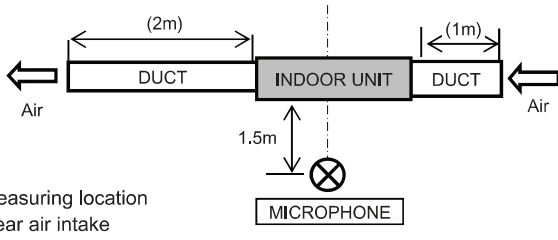
External static pressure 40 Pa



External static pressure 50 Pa

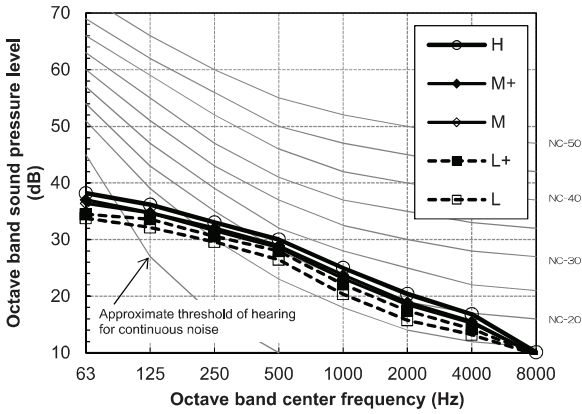


RAV-HM561SDTY-E/TR

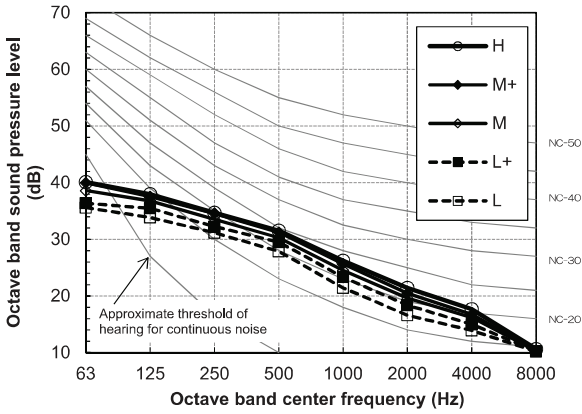


ESP (Pa)	Sound Pressure Level (dBA)				
	H	M+	M	L+	L
10	34	33	32	31	29
20	35	34	33	32	30
30	36	35	34	33	31
40	36	35	34	33	31
50	37	36	35	34	32

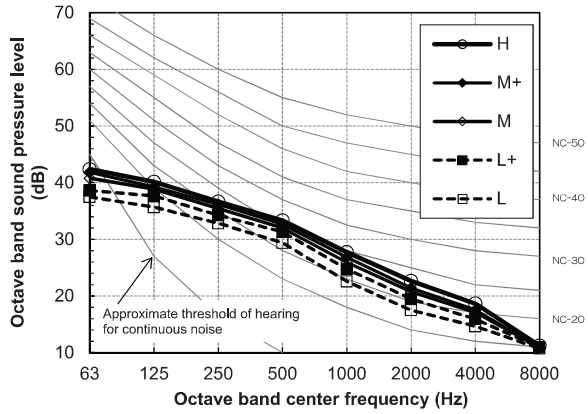
External static pressure 10 Pa



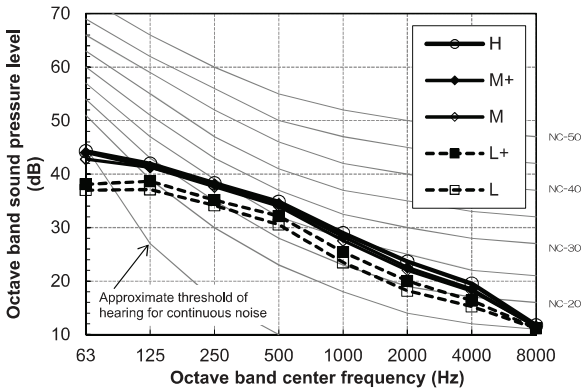
External static pressure 20 Pa



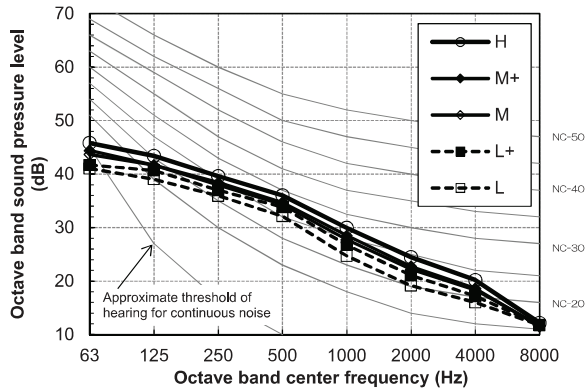
External static pressure 30 Pa



External static pressure 40 Pa



External static pressure 50 Pa



3. Outdoor Unit

3-1. Specifications

3-2. Dimension

3-3. Wiring Diagrams

3-4. Refrigerant Cycle Diagram

3-5. Sound Characteristic

3-6. Connecting Pipe Length and Lift Difference Between Indoor Units VS. Capacity Correction Value

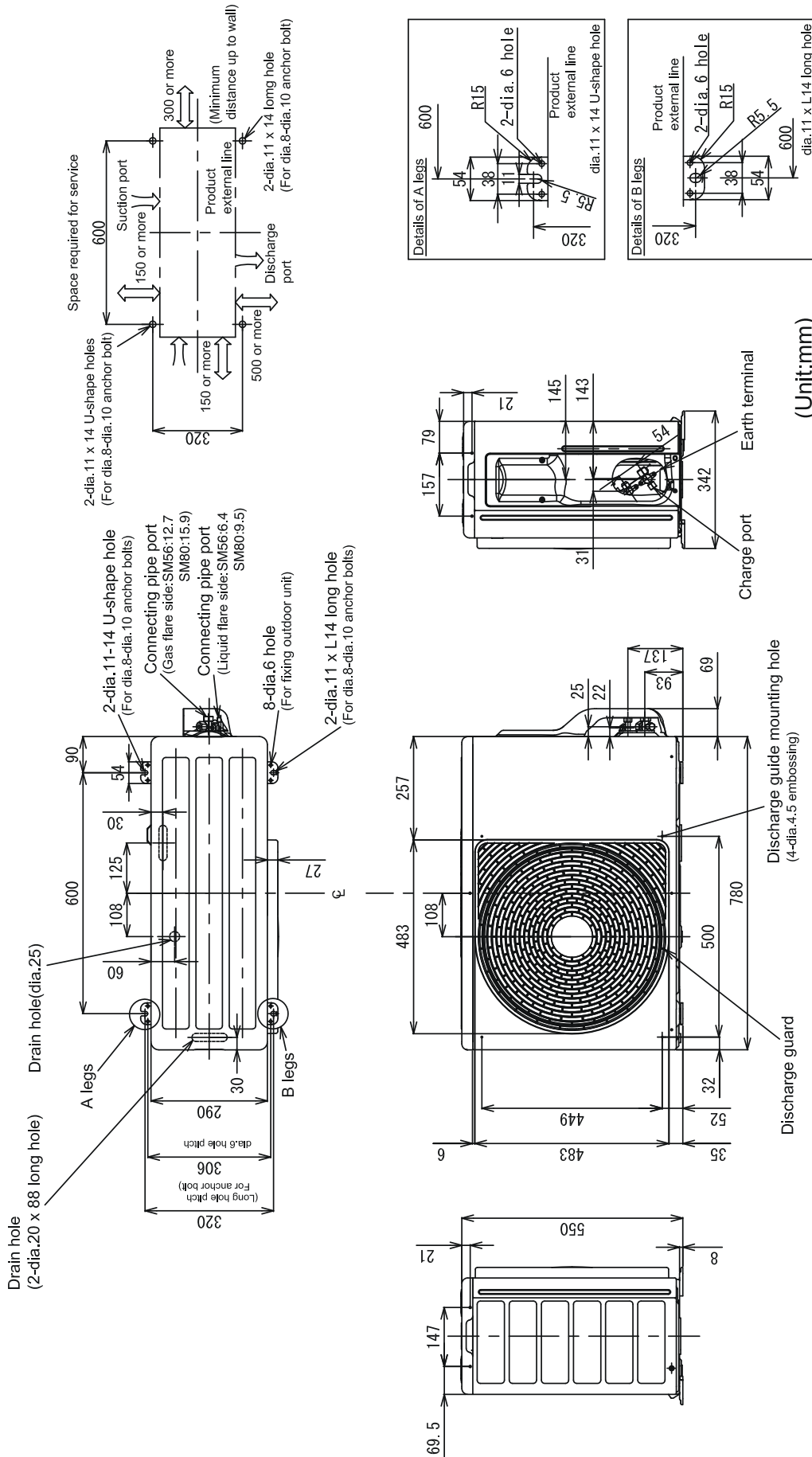
3-1 Specification

Model name	Outdoor unit	RAV-GM302ATP-E	RAV-GM402ATP-E	
Power supply		1 phase 220-240V, 50 Hz 1 phase 220V, 60 Hz		
Compressor	Type	Rotary DC Invertor		
	Motor (kW)	0.75	1.10	
	Pole	4	4	
Refrigerant charged (kg)		0.63	0.90	
Refrigerant control		Pulse motor valve		
Inter connecting pipe	Standard length (m)	7.5	7.5	
	Min. length (m)	2.0	2.0	
	Max. total length (m)	20	20	
	Additional refrigerant charge under long piping connector		20 g / m (15 m to 20 m)	20 g / m (15 m to 20 m)
	Height difference	Outdoor lower (m)	10	10
		Outdoor higher (m)	10	10
Outer dimension	Height (mm)	550	550	
	Width (mm)	780	780	
	Depth (mm)	290	290	
Appearance		Silky shade (Muncel 1 Y 8.5 / 0.5)		
Total weight (kg)		29	34	
Heat exchanger		Finned tube		
Fan unit	Fan	Propeller fan		
	Standard air flow high (mm ³ / min.)	30	37	
	Motor (W)	43	43	
Connecting pipe	Gas side (mm)	9.50	12.70	
	Liquid side (mm)	6.40	6.40	
Sound pressure level Cooling / Heating (dB·A)		46 / 47	49 / 50	
Sound power level Cooling / Heating (dB·A)		61 / 62	64 / 65	
Outside air temperature, Cooling °C (Dry bulb temp.)		-15 to 46		
Outside air temperature, Heating °C (Wet bulb temp.)		-15 to 24		

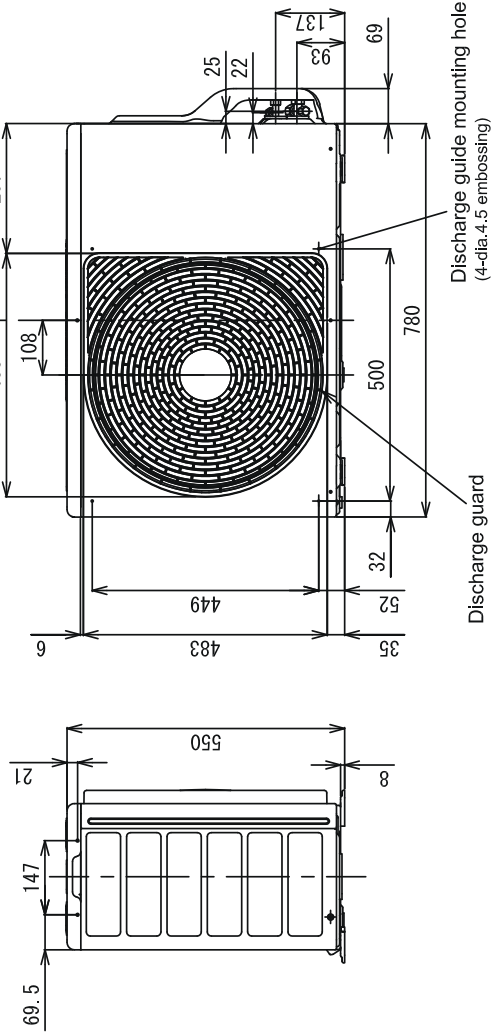
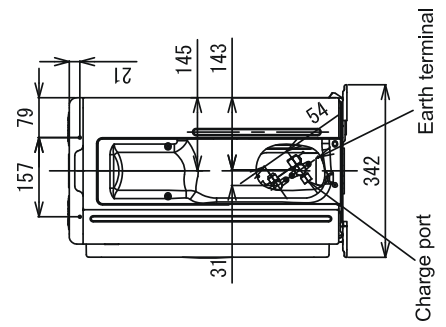
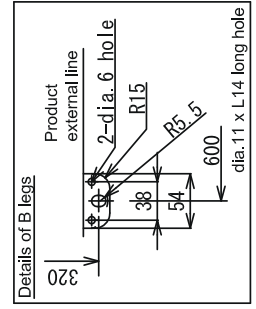
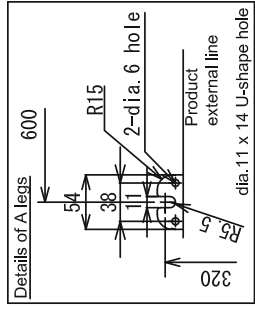
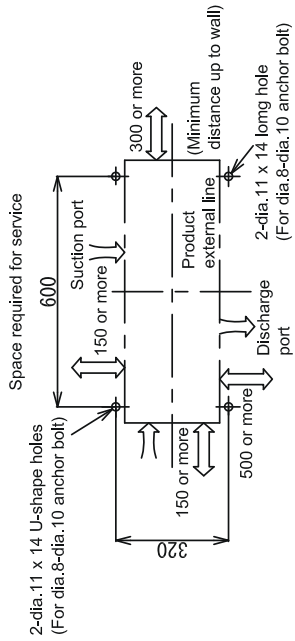
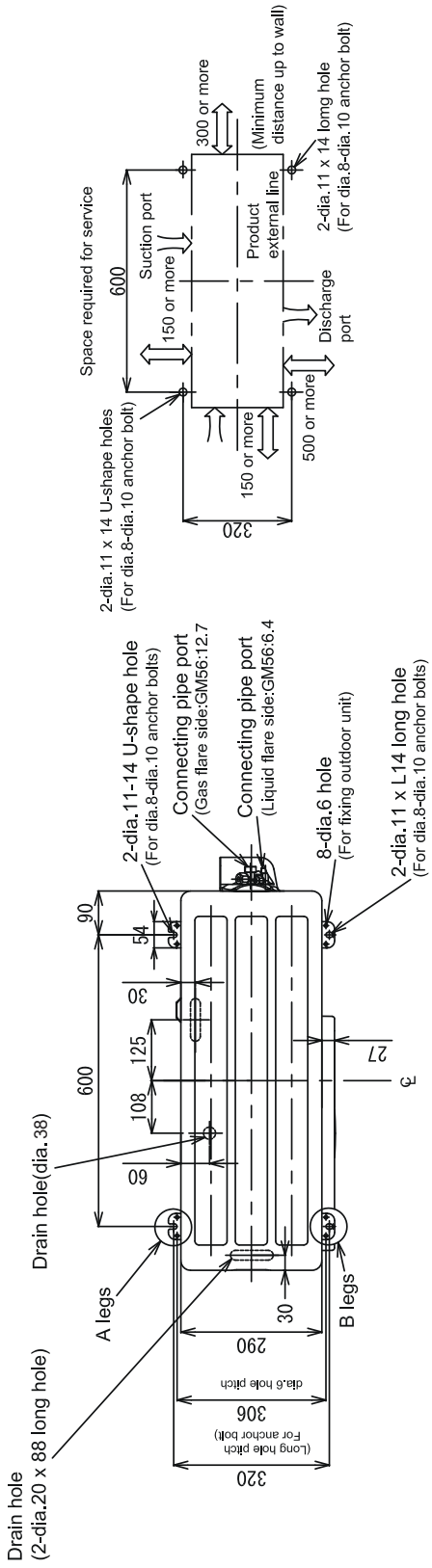
Model name	Outdoor unit		RAV-GM562ATP-E / TR
Power supply	1 phase 220-240V, 50Hz 1 phase 220V, 60Hz (Power exclusive to outdoor is required.)		
Compressor	Type		Hermetic compressor
	Motor	(kW)	1.1
	Pole		4
Refrigerant charged		(kg)	0.9
Refrigerant control		Pulse motor valve	
Inter connecting pipe	Standard length		(m) 7.5
	Min. length		(m) 5.0
	Max. total length		(m) 30
	Additional refrigerant charge under long piping connector		20 g / m (21 m to 30 m)
	Height difference	Outdoor lower	(m)
Outdoor higher		(m)	30
Outer dimension	Height		(mm) 550
	Width		(mm) 780
	Depth		(mm) 290
Appearance		Silky shade (Muncel 1 Y 8.5 / 0.5)	
Total weight		(kg)	40
Heat exchanger		Finned tube	
Fan unit	Fan		Propeller fan
	Standard air flow high		(m ³ / min.) 40
	Motor		(W) 43
Connecting pipe	Gas side		(mm) 12.7
	Liquid side		(mm) 6.4
Sound pressure level		Cooling / Heating (dB·A)	46 / 48
Sound power level		Cooling / Heating (dB·A)	63 / 65
Outside air temperature, Cooling		°C (Dry bulb temp.)	-15 to 46
Outside air temperature, Heating		°C (Wet bulb temp.)	-15 to 24

3-2. Dimension

RAV-GM*__2ATP-E (*30 / 40)



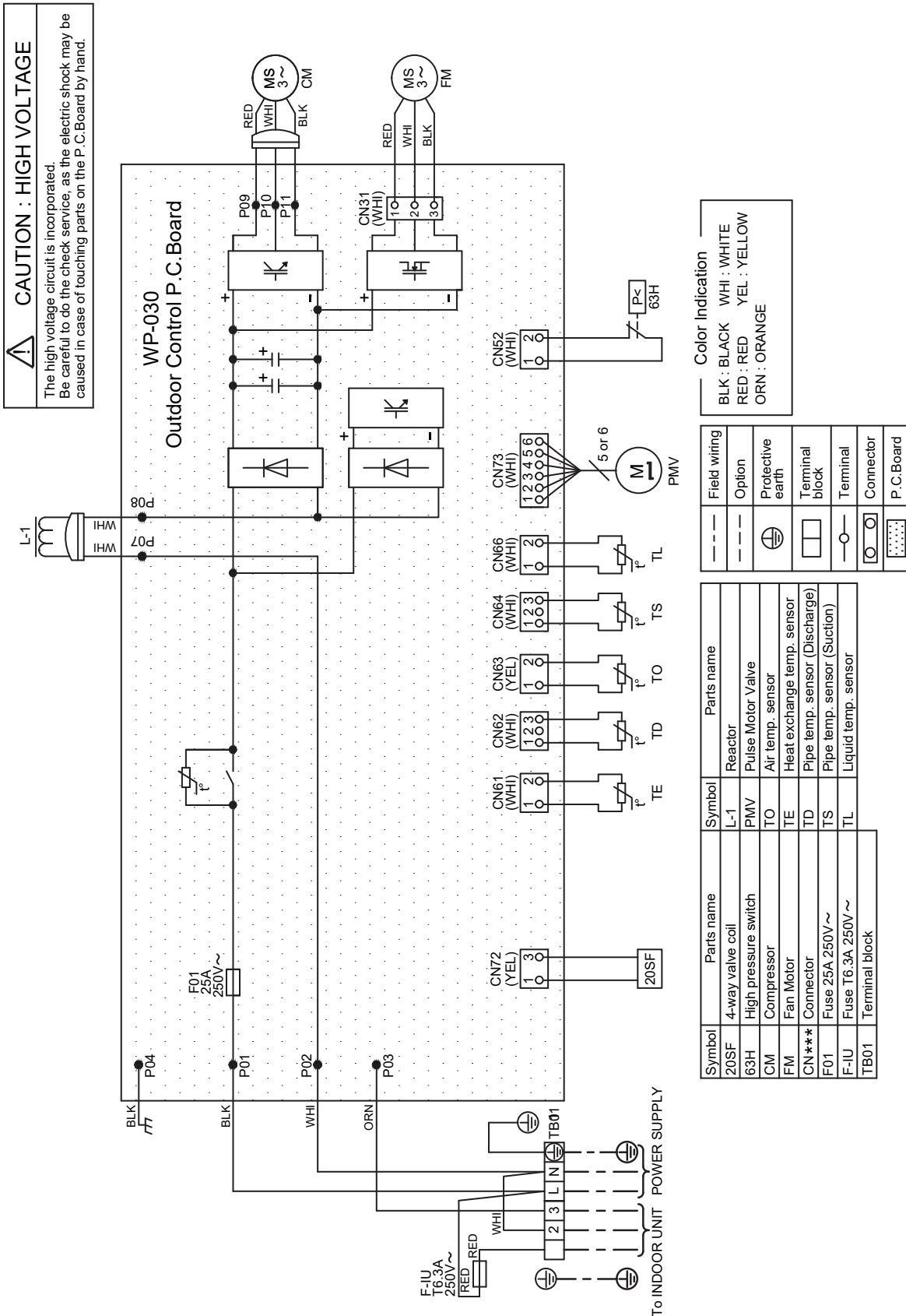
RAV-GM562ATP-E / TR



(Unit:mm)

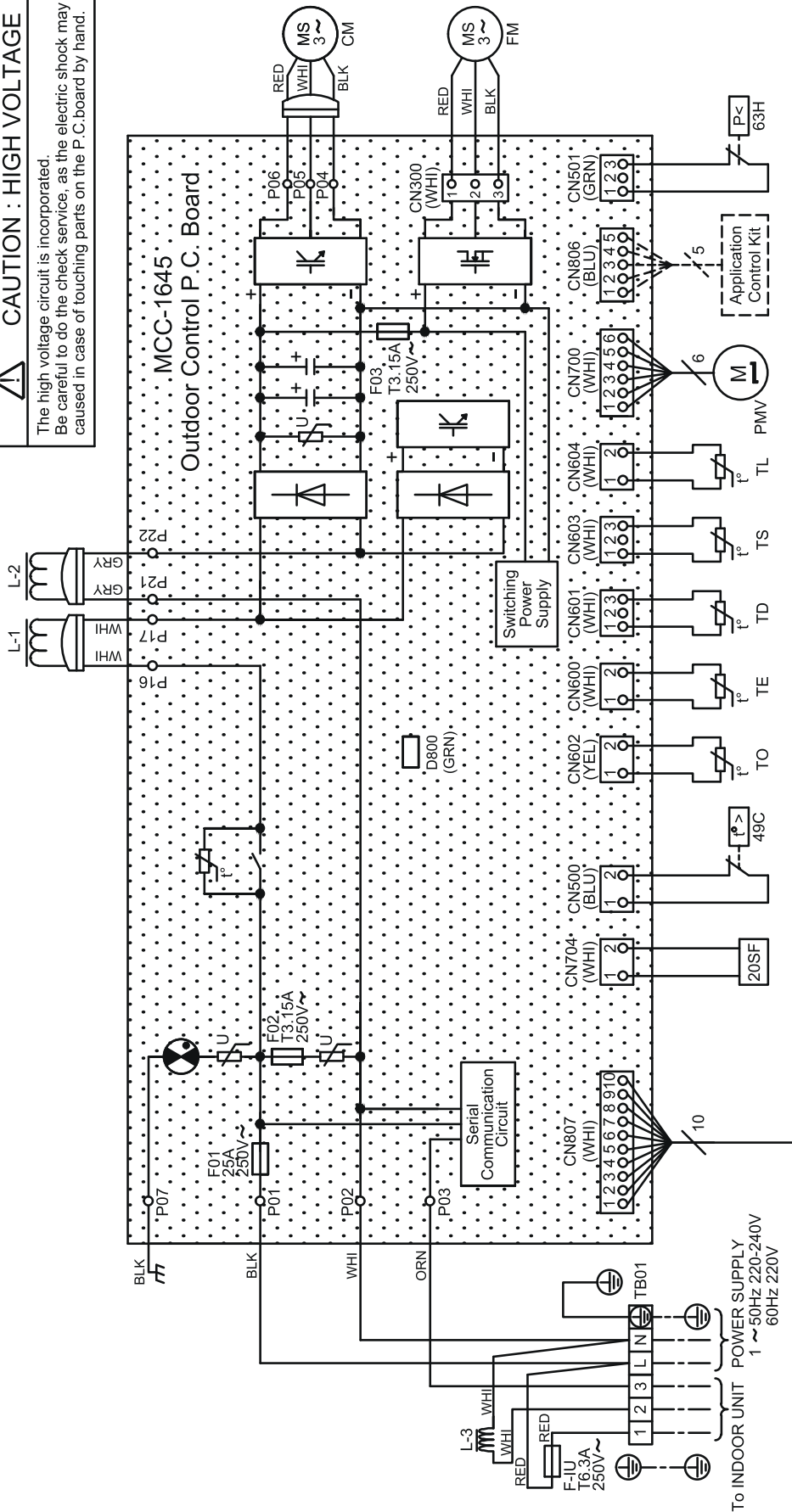
3-3. Wiring Diagram

RAV-GM* 2ATP-E (*30 / 40)



RAV-GM562ATP-E / TR

CAUTION : HIGH VOLTAGE
 The high voltage circuit is incorporated.
 Be careful to do the check service, as the electric shock may be caused in case of touching parts on the P.C.board by hand.

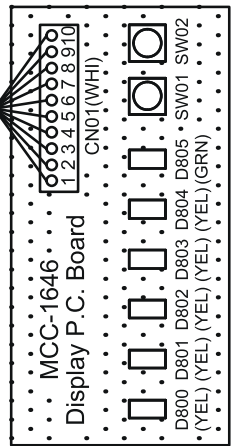


Color Indication

BLK : BLACK	GRN : GREEN
BLU : BLUE	WHI : WHITE
RED : RED	YEL : YELLOW
GRY : GRAY	ORN : ORANGE

Field wiring	Parts name
	Protective earth
	Terminal block
	Terminal
	Connector
	P.C. board

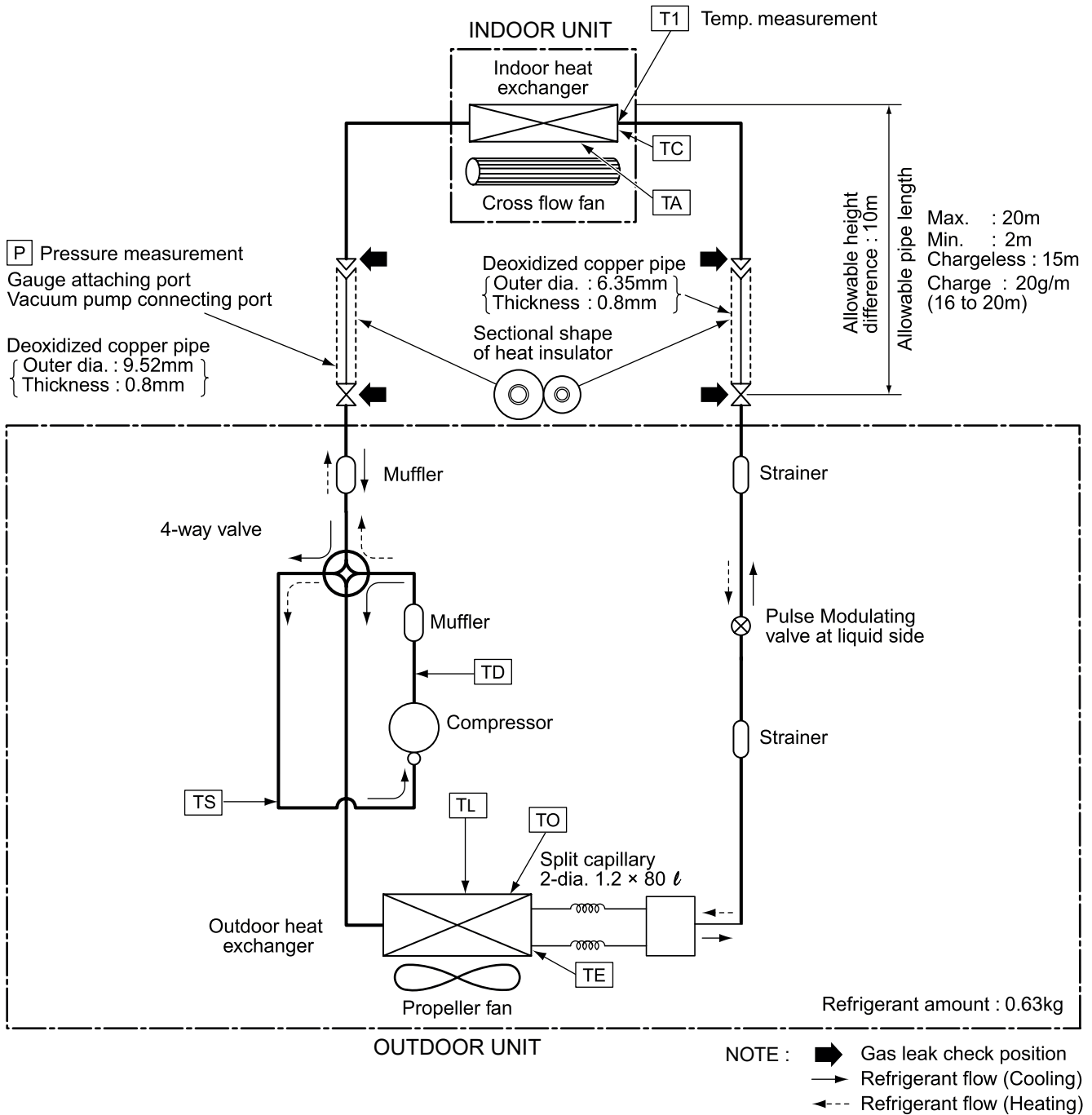
Symbol	Parts name	Symbol	Parts name
20SF	4-way valve coil	49C	Thermostat for Compressor
63H	High pressure switch	PMV	Pulse Motor Valve
CM	Compressor	TB01	Terminal block
FM	Fan Motor	TO	Air temp. sensor
CN***	Connector	TE	Heat exchange temp. sensor
F01	Fuse 25A 250V~	TD	Pipe temp. sensor (Discharge)
F02	Fuse T3.15A 250V~	TS	Pipe temp. sensor (Suction)
F03	Fuse T3.15A 250V~	TL	Liquid temp. sensor
F-IU	Fuse T6.3A 250V~	L-1, L-2	Reactor
		L-3	



1. For D800 ~ D805 and SW01 ~ SW02, refer to the installation manual.

3-4. Refrigerant cycle diagram

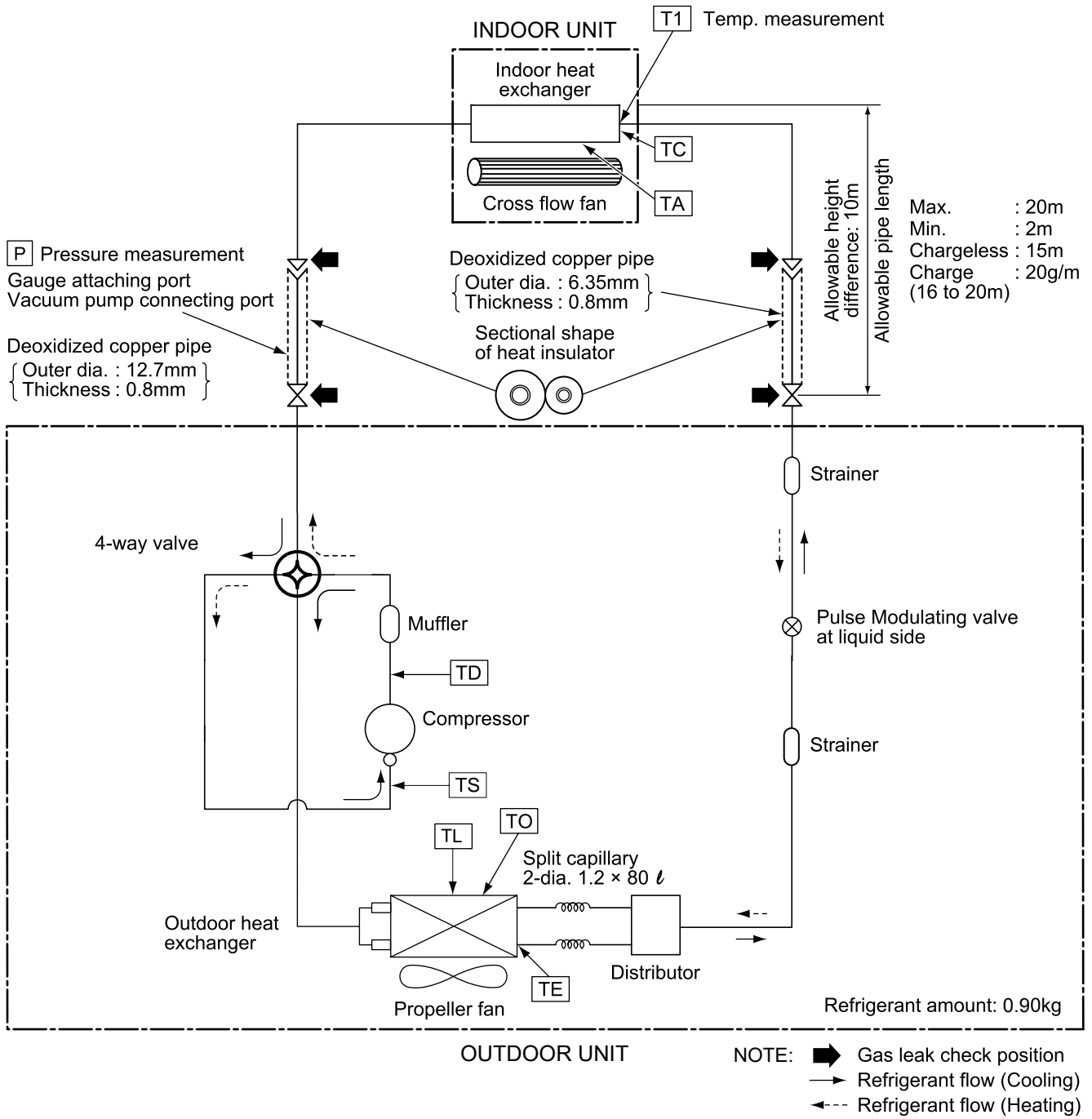
RAV-GM302ATP-E



NOTE :

- The maximum pipe length of this air conditioner is 20 m. When the pipe length exceeds 15m, the additional charging of refrigerant, 20g per 1m for the part of pipe exceeded 15m is required. (Max. 100g)

RAV-GM402ATP-E

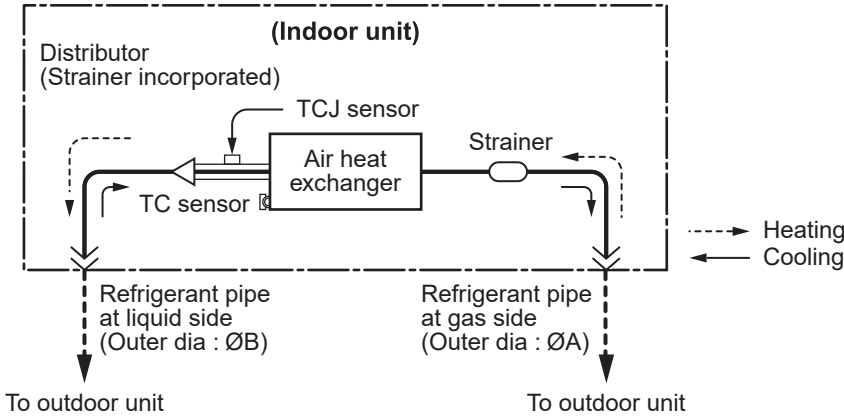


NOTE :

- The maximum pipe length of this air conditioner is 20m. When the pipe length exceeds 15m, the additional charging of refrigerant, 20g per 1m for the part of pipe exceeded 15m is required. (Max. 100g)

RAV-GM562ATP-E / TR

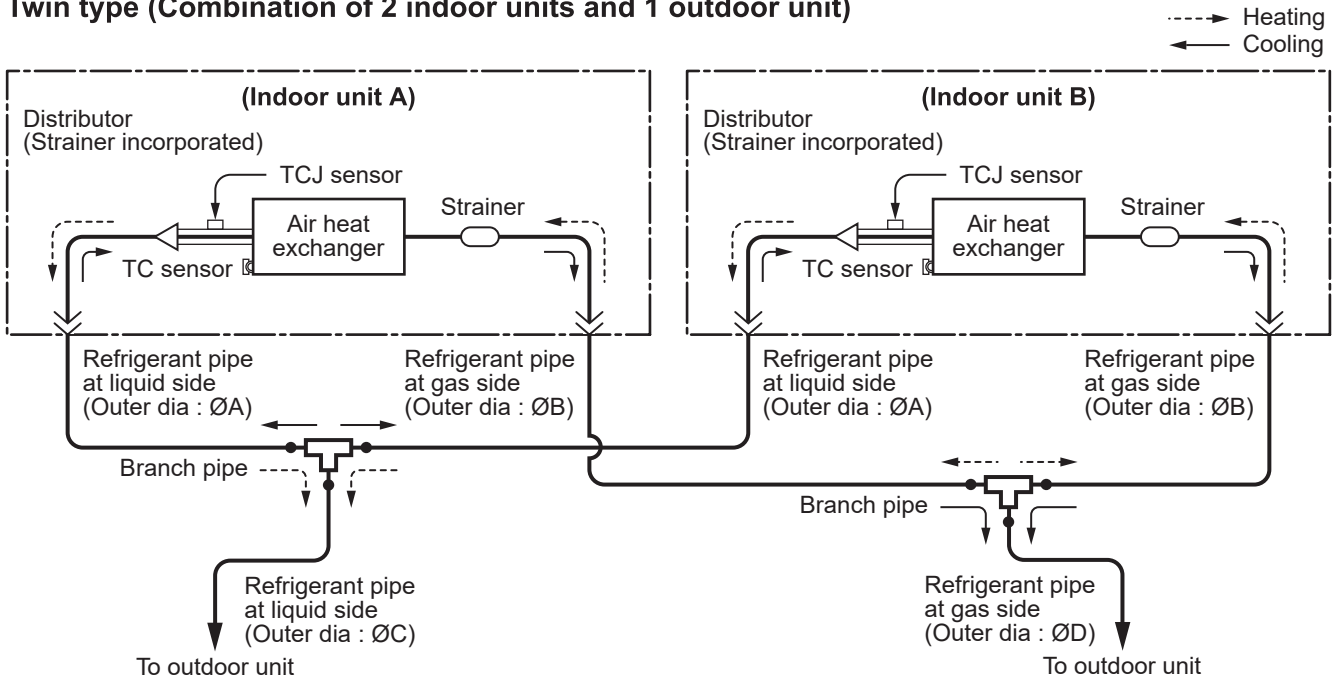
Single type (Combination of 1 indoor unit and 1 outdoor unit)



Dimension table

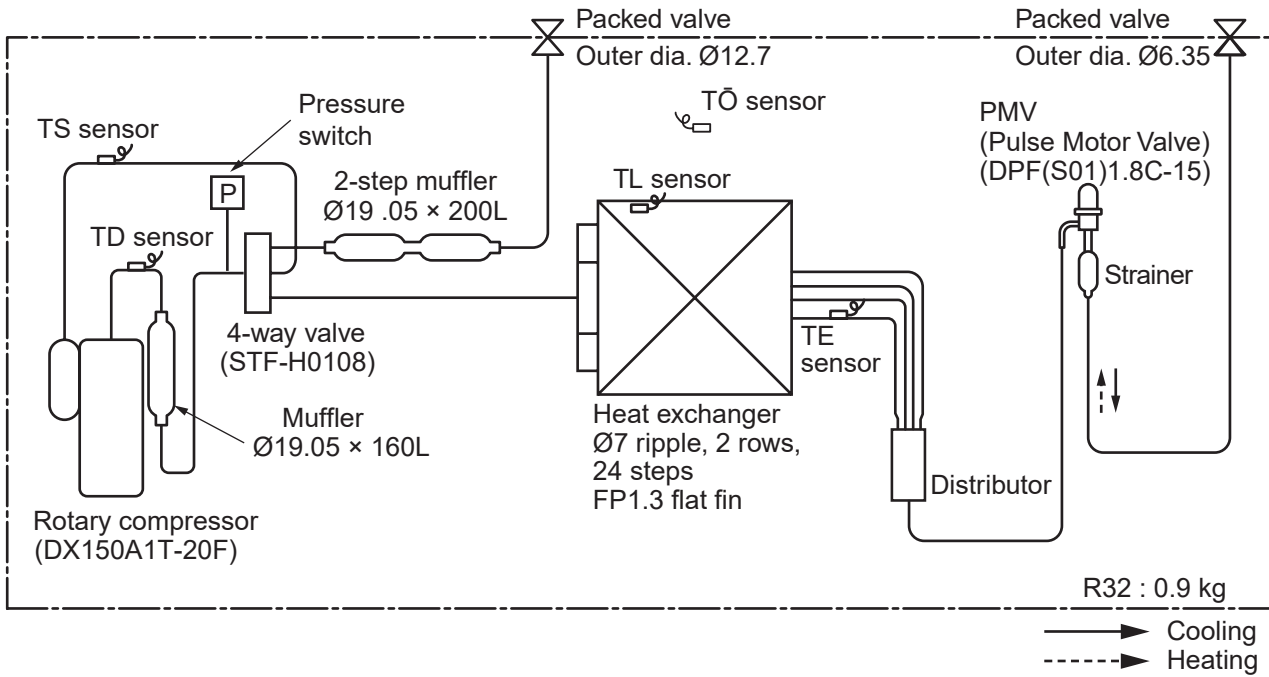
Indoor unit	Outer diameter of refrigerant pipe	
	Gas side ØA	Liquid side ØB
HM56 type	12.7	6.4

Twin type (Combination of 2 indoor units and 1 outdoor unit)



Indoor unit	Branch pipe RBC-	A	B	C	D
HM56 × 2	TWP30E2	6.4	12.7	9.5	15.9

RAV-GM562ATP-E / TR



		Pressure				Pipe surface temperature (°C)				Compressor revolutions per second (rps) *	Indoor fan	Indoor/Outdoor temp. conditions (DB/WB) (°C)	
		(MPa)		(kg/cm ² G)		Discharge (TD)	Suction (TS)	Indoor heat exchanger (TC)	Outdoor heat exchanger (TE)			Indoor	Outdoor
		Pd	Ps	Pd	Ps								
Cooling	Standard	3.11	0.96	31.7	9.8	90	13	12	43	60	HIGH	27/19	35/-
	Overload	3.37	1.08	34.4	11.0	77	21	17	53	35	HIGH	32/24	46/-
	Low load	1.90	0.70	19.4	7.1	48	7	5	30	50	LOW	18/15.5	-5/-
Heating	Standard	2.27	0.63	23.1	6.4	82	2	36	1	65	HIGH	20/-	7/6
	Overload	2.86	0.89	29.2	9.1	86	17	47	11	95	LOW	28/-	24/18
	Low load	1.86	0.25	19.0	2.6	69	-14	31	-15	98	HIGH	15/-	-10/(70%)

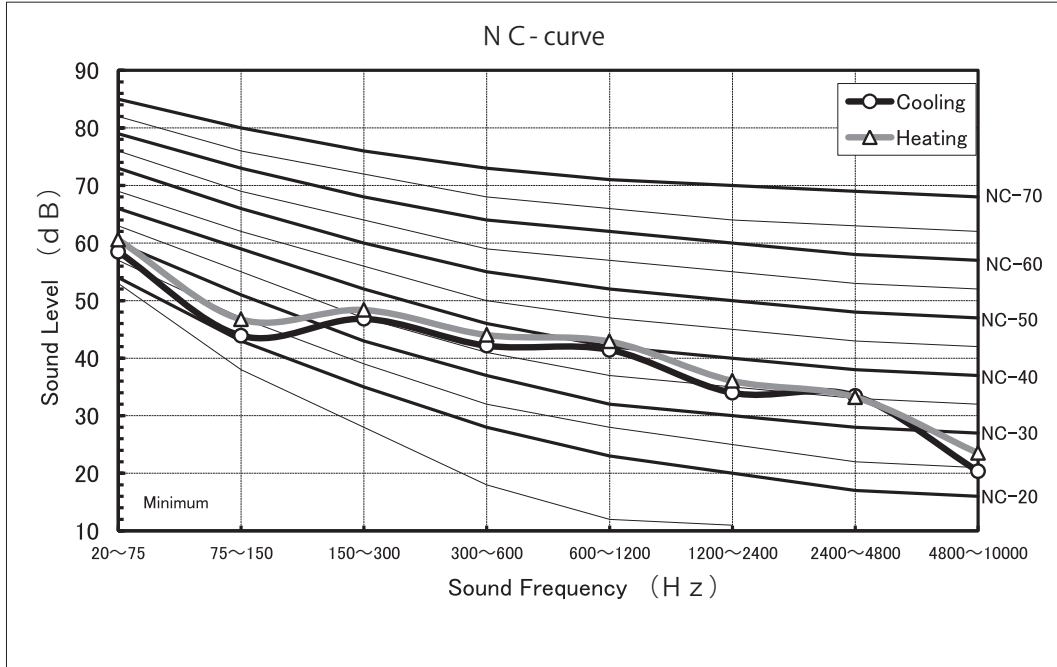
* 4 poles are provided to this compressor.

The compressor frequency (Hz) measured with a clamp meter is 2 times of revolutions (rps) of the compressor.

3-5. Sound Characteristic

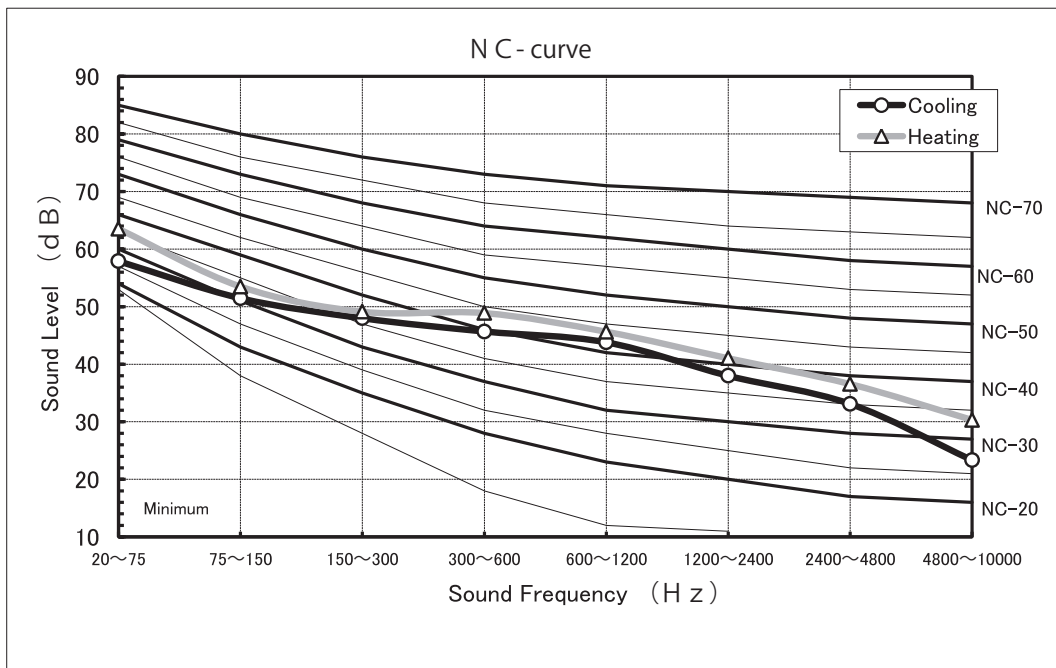
RAV-GM302ATP-E

Measured point	Specification (d B)	
	Cooling	Heating
Horizontal 1.0 m	46	47



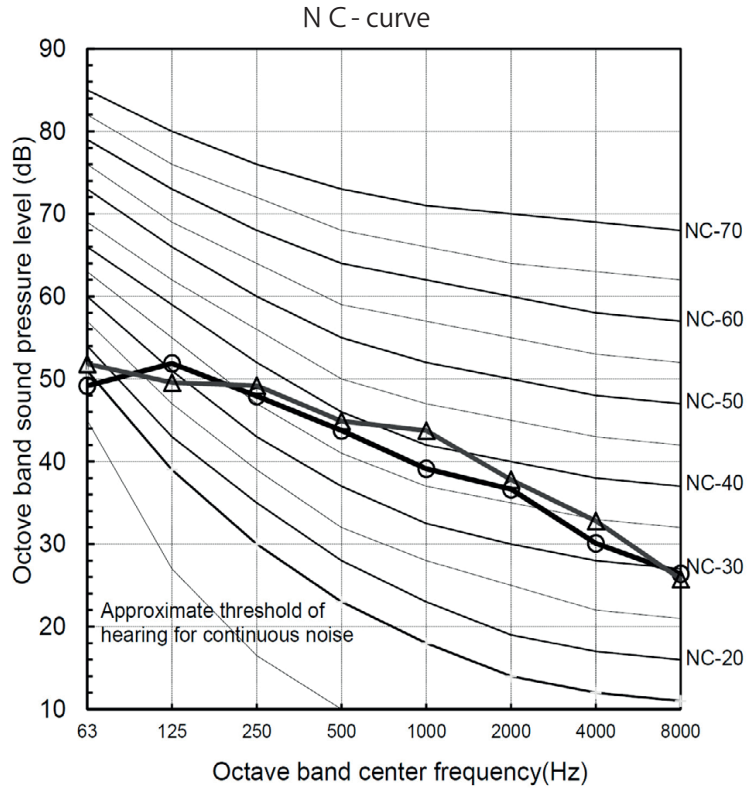
RAV-GM402ATP-E

Measured point	Specification (d B)	
	Cooling	Heating
Horizontal 1.0 m	49	50



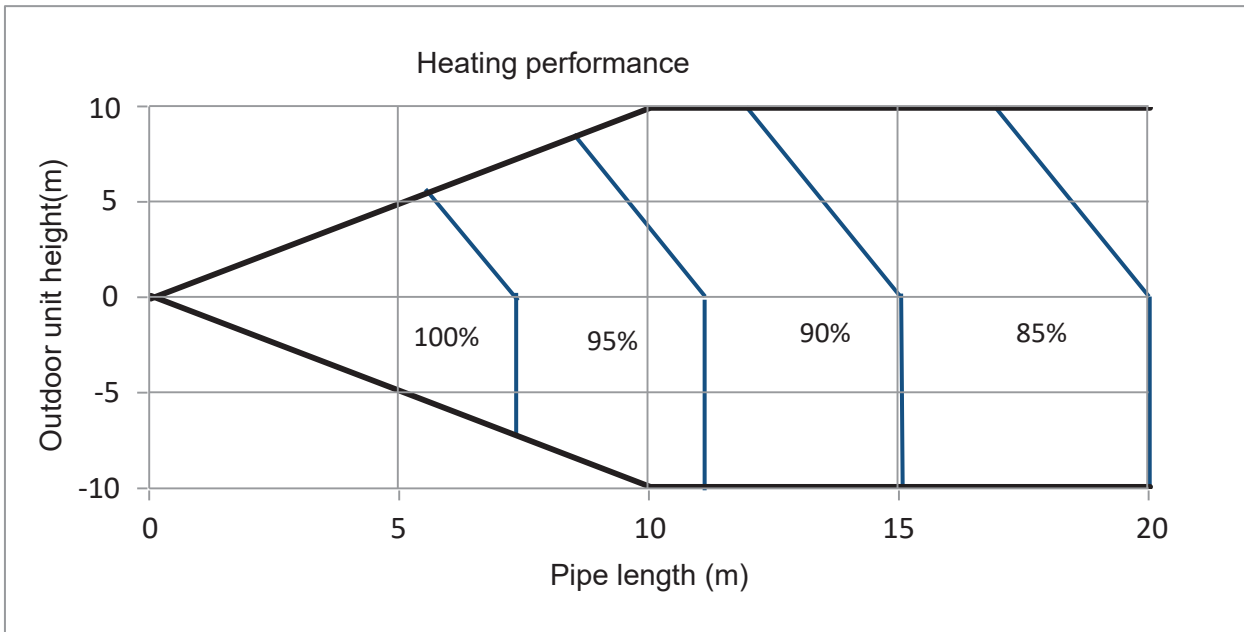
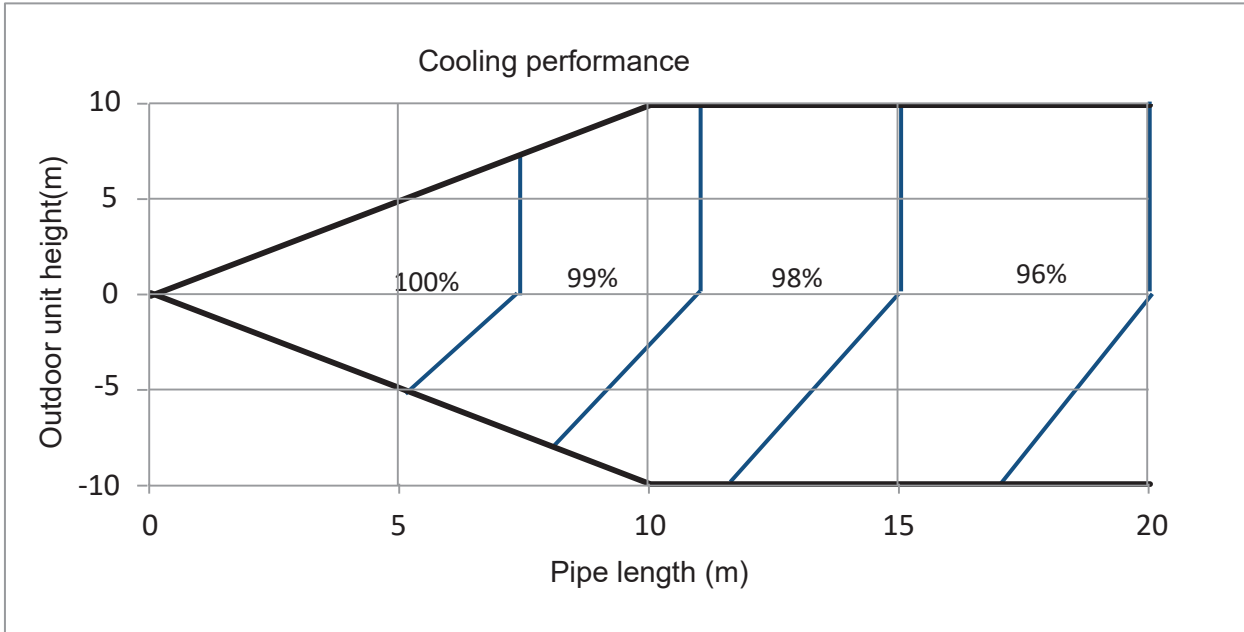
RAV-GM562ATP-E / TR

Sound pressure level (dB(A))	Cooling	Heating
	46	48

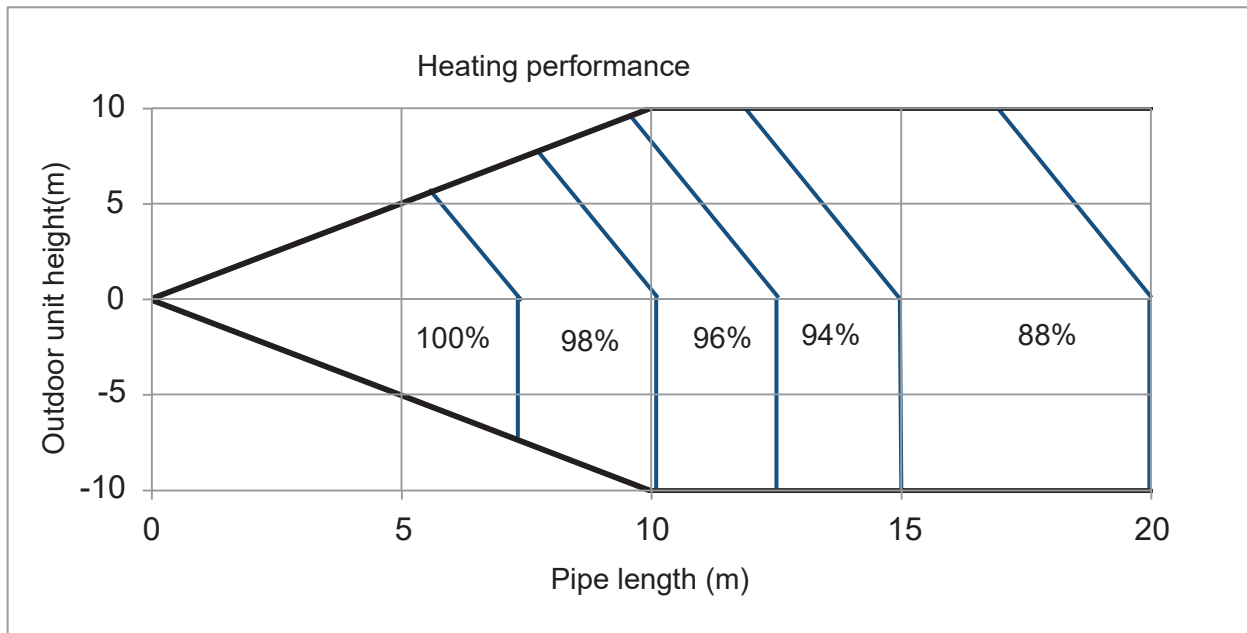
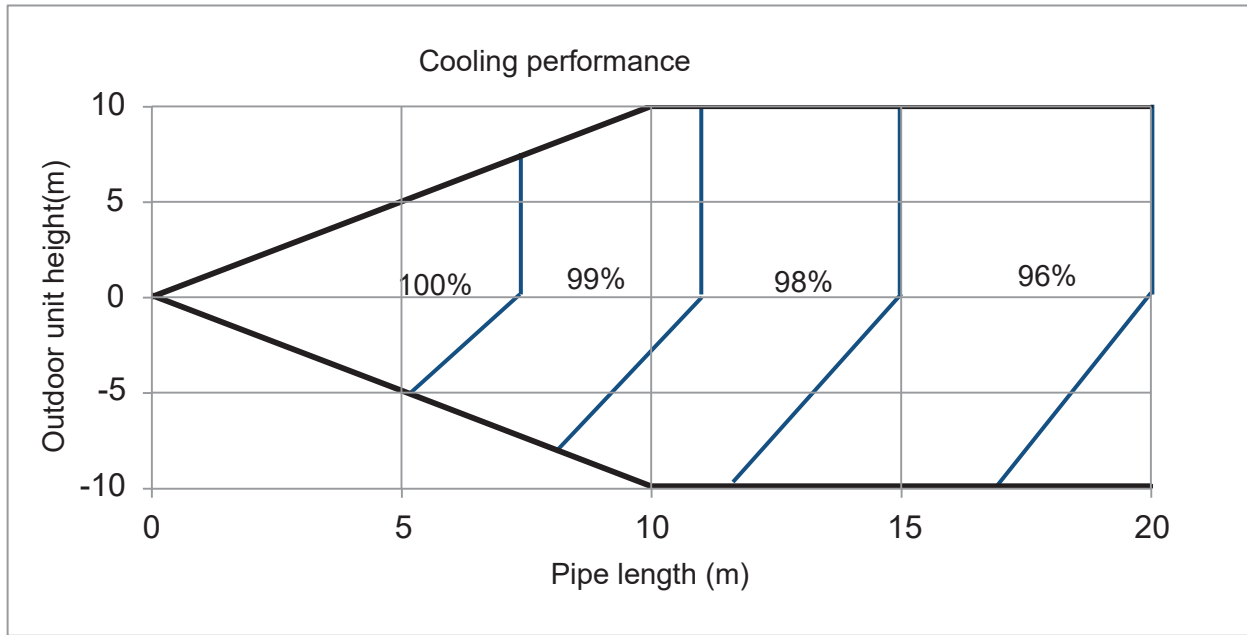


3-6. Connecting pipe length and lift difference between indoor units vs. capacity correction value

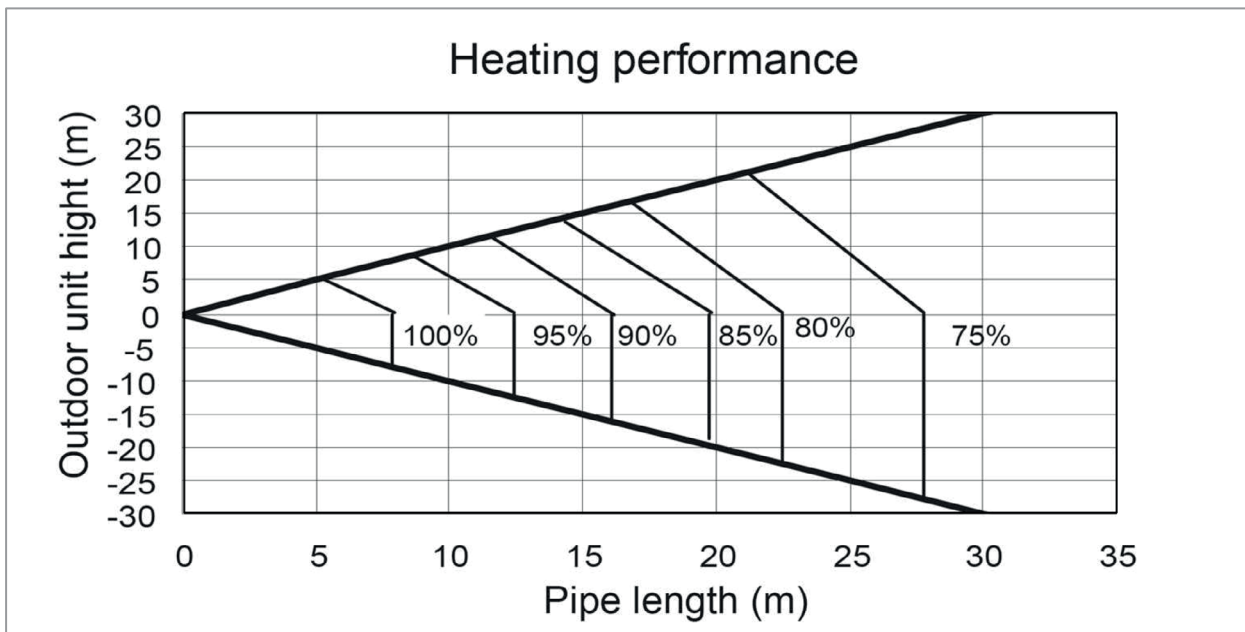
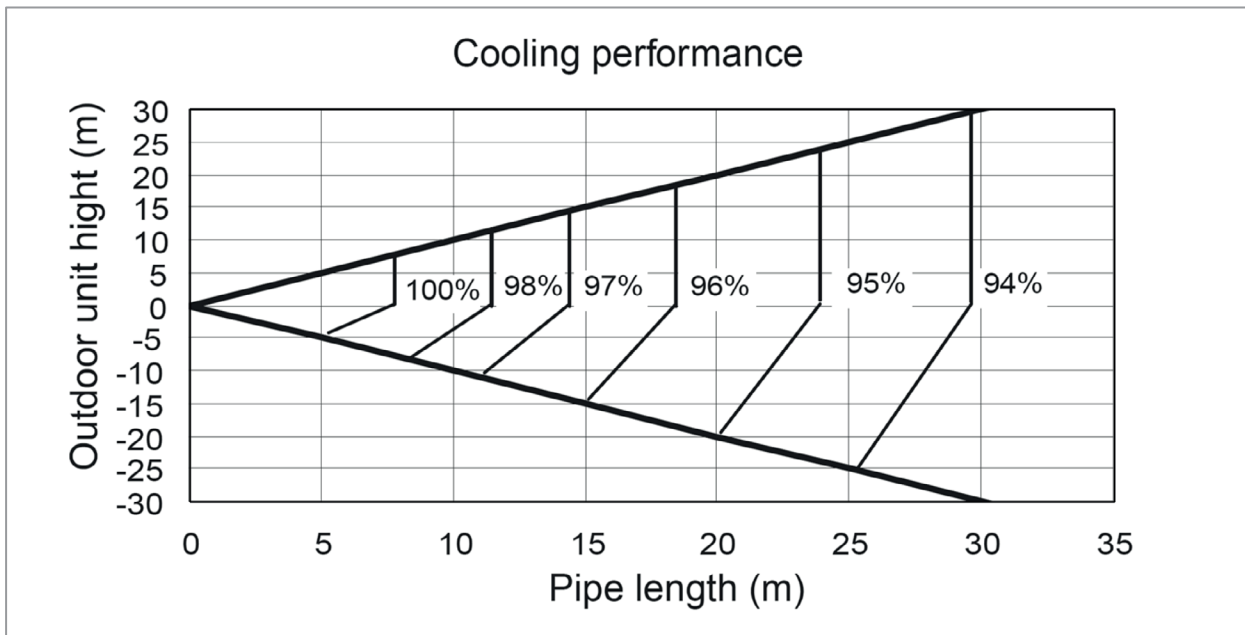
RAV-GM302ATP-E



RAV-GM402ATP-E



RAV-GM562ATP-E / TR



4. Optional Accessories

Type	Model name	Feature	Applied model	Factory
Ceiling Panel	RBC-U32PGP-E	Standard 4-Way cassette panel without receiver	4-Way cassette	TCTC
	RBC-U33P-E	Smart design 4-Way cassette panel without receiver	4-Way cassette	
	RBC-UY32P-E	1-Way cassette panel without receiver	1-Way cassette	
Wireless remote Controller kit	RBC-AXU31U-E	Wireless receiver and wireless remote controller	4-Way cassette with RBC-U32PGP-E	TCC
	RBC-AXU33UP-E		4-Way cassette with RBC-U33P-E	TCTC
	RBC-AXU31-E		Standard duct	TCC
	RBC-AXU31C-E		Under ceiling	TCC
	RBC-AX33UYP-E		1-Way cassette	TCTC
Wired Remote Controller	RBC-ASCU11-E	Standard wired remote controller	All FCU type	TCAC
	RBC-AMTU31-E	Wired remote controller		TCC
	RBC-AMSU51-EN/ES	Premium wired remote controller		
	RBC-AMSU52-E	New wired Remote without bluetooth		
	RBC-AWSU52-E	New wired Remote with bluetooth		
Occupancy sensor	TCB-SIR33UP-E	Occupancy sensor	4-Way cassette with RBC-U33P-E	TCTC
	TCB-SIR41UYP-E		1-Way cassette	
PM2.5 filter for 4Way cassette	TCB-PLFC1UPE-120	Before Pre-Filter type	4-Way cassette	TCTC
	TCB-PLFC2UPE-80	After Pre-Filter type		
Spigot shaped flange	TCB-SF56C6BPE	For duct chassis width 700mm	Duct	TCTC
	TCB-SF80C6BPE	For duct chassis width 1000mm		
	TCB-SF160C6BPE	For duct chassis width 1400mm		
Air purifier kit	TCB-EAPC1UYHP-E	Set of Plasma Air Purifier, Dust sensor, Air quality indicator and Wireless receiver	1-Way cassette	TCTC
Auxiliary fresh air flange	TCB-FF151US-E	Fresh air intake flange	Duct	TCC
	TCB-FF101URE2	Fresh air intake flange	4-Way cassette, under ceiling	
	TCB-GB1602UE	Fresh air intake box	4-Way cassette	

CARRIER AIR CONDITIONING (THAILAND) CO.,LTD.

144/9 Moo 5, Bangkadi Industrial Park, Tivanon Road, Tambol Bangkadi,
Amphur Muang, Pathumthani 12000, Thailand

Copyright © 2024 CARRIER AIR CONDITIONING (THAILAND), All Rights Reserved

Notice : Carrier is committed to continuously improving its products to ensure the highest quality and reliability standard, and to meet local regulations and market requirements. All features and specifications are subject to change without prior notice.
